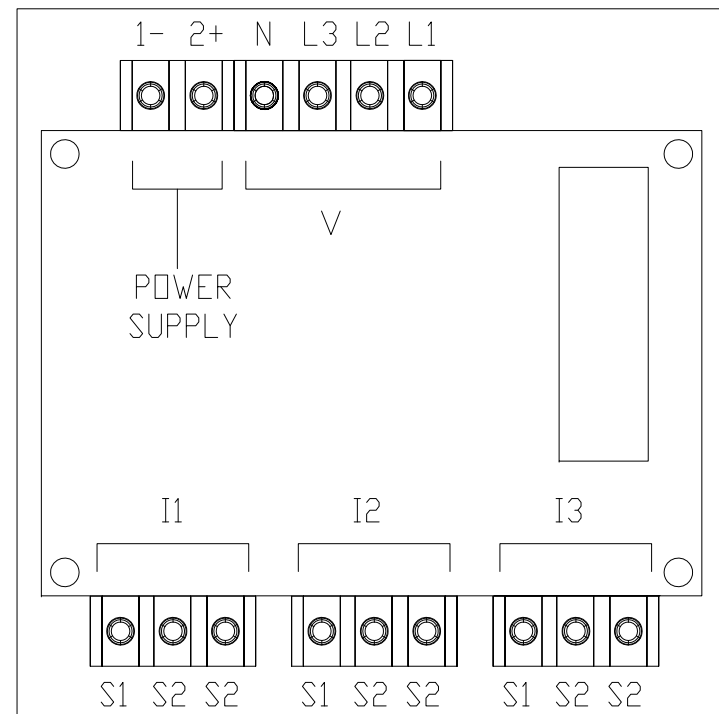
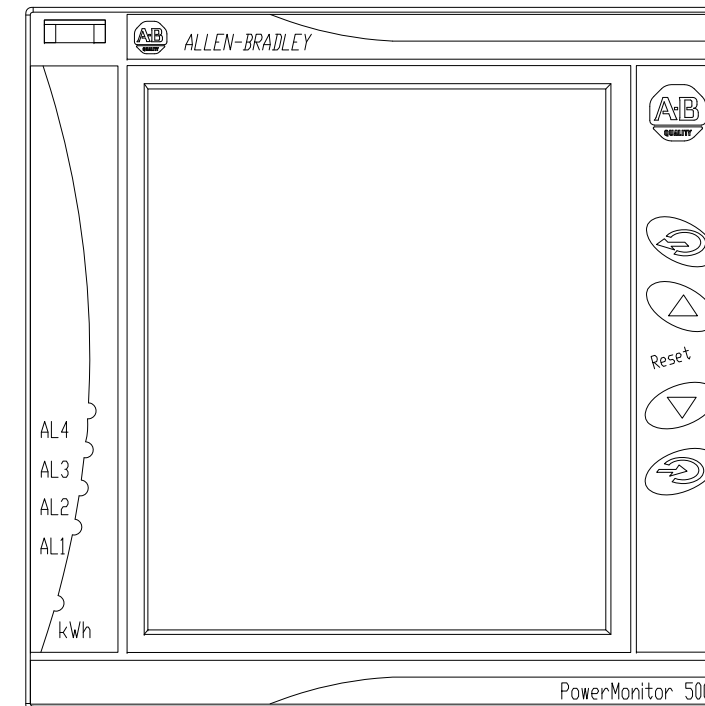


FOOT PRINTS FOR PANEL LAYOUT



1426-M_PM500_BACK
POWER MONITOR 500



1426-M_PM500_FRONT
POWER MONITOR 500 DISPLAY MODULE

XXXX XXXXXXXX XX XXX XXXXXXXXXXXX
XX XXXXXXXXXXXX XXXXXXXXXXXX
XX XXX XXXXXXXXXXXX XXXXXXXXXXXX
XXXXXX XX XXXXXXXXXXXX XXX XXX
XXXXXXXX XXXXXXXX XX XXXXXXXXXXXX

XXXXXX_XXXX
XXXXXX

ENERGY MANAGEMENT
ACCELERATOR TOOLKIT PM500 V1
LAYOUT FOOTPRINTS
CUSTCOMPANY_NAME

| | | |
|-------------------|----------------|--------------|
| DWN MWM | DATE 08-01-12 | DWG REV A |
| DWG NO EXAMPLE | SHEET 02 OF -- | DWG REV A |
| | | CAD |