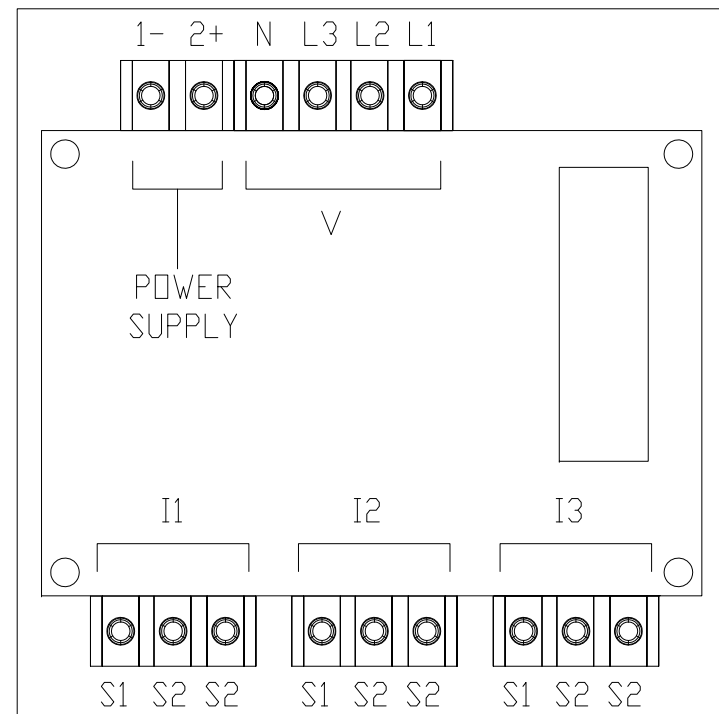
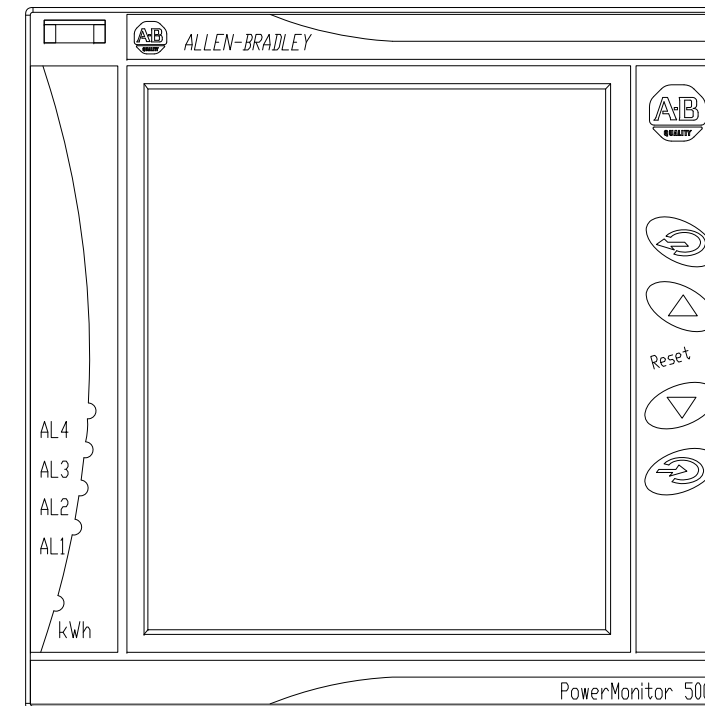


FOOT PRINTS FOR PANEL LAYOUT



FP_1426
POWER MONITOR 500



FP_1426-DM
POWER MONITOR 500 DISPLAY MODULE

XXXX XXXXXXXX XX XXX XXXXXXXXXXXX
XX XXXXXXXXXXXX XXXXXXXXXXXX
XX XXX XXXXXXXXXXXX XXXXXXXXXXXX
XXXXXXXX XX XXXXXXXXXXXX XXX XXX
XXXXXXXX XXXXXXXX XX XXXXXXXXXXXX

XXXXXX_XXXX
XXXXXX

ENERGY MANAGEMENT
ACCELERATOR TOOLKIT PM500 V2
LAYOUT FOOTPRINTS
CUSTCOMPANY_NAME

DWN MWM	DATE 08-01-12	DWG REV	A
EXAMPLE			
SHEET 02	OF --		