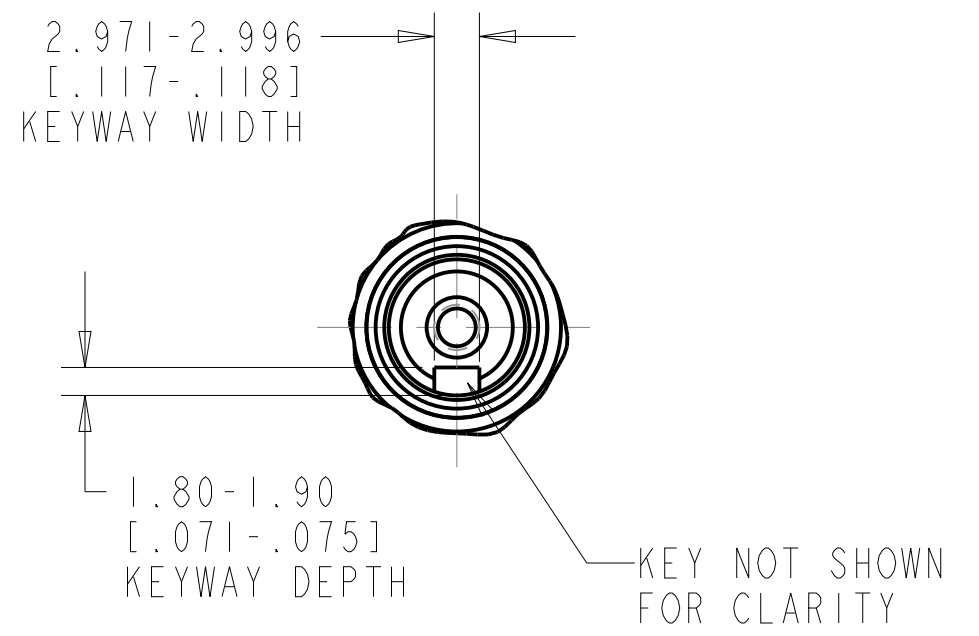
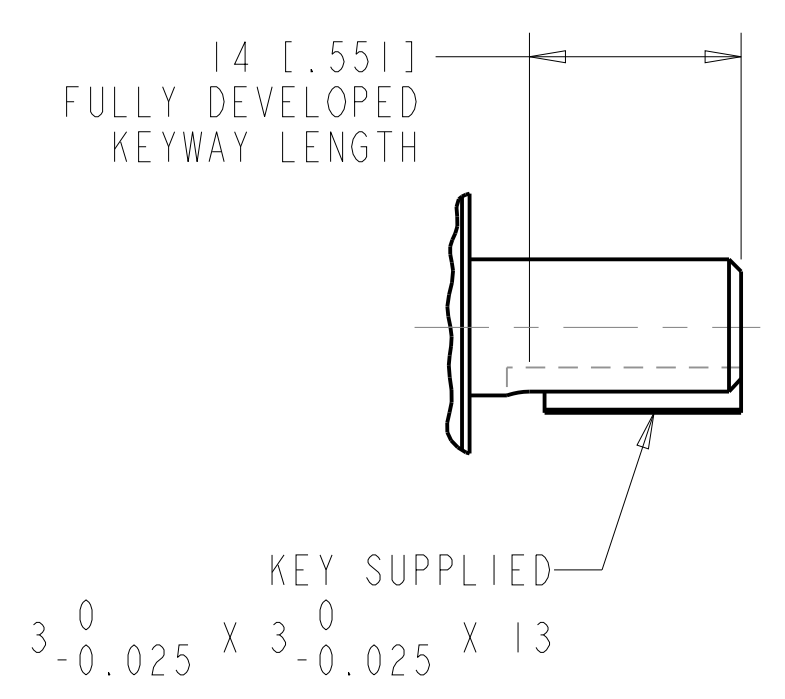


CONNECTOR HOUSING MAY BE ROTATED FOR REARWARD CONNECTOR ORIENTATION

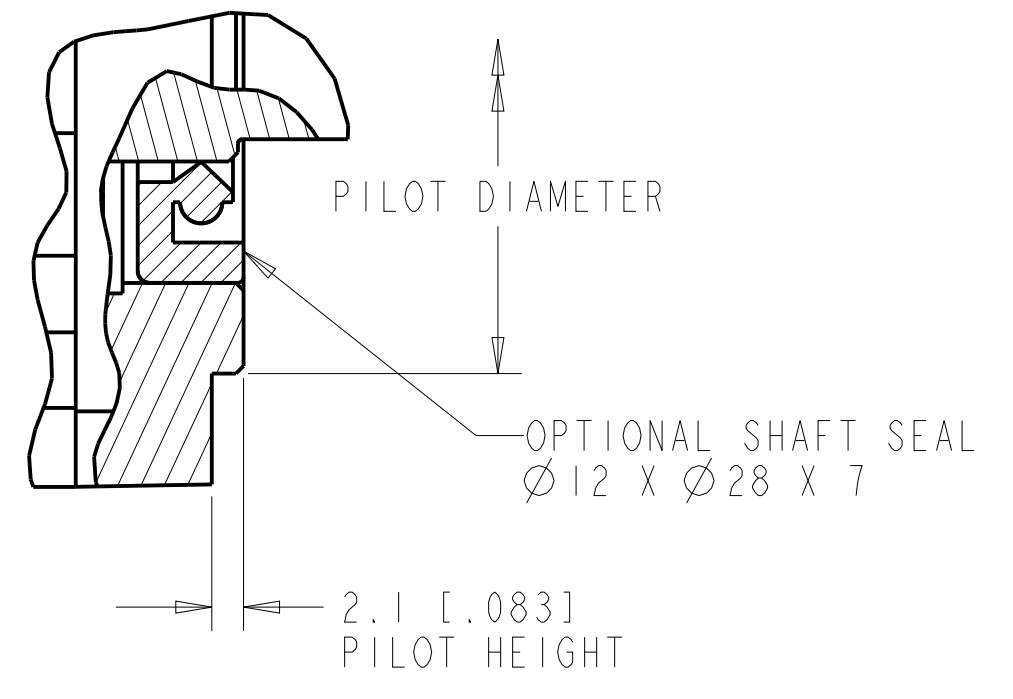


OPTIONAL SHAFT KEY
SCALE 2.000

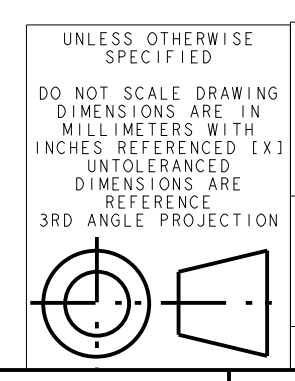
PIN-OUT CONNECTOR	
PIN	FUNCTION
A	U
B	V
C	W
⊕	GND
E	DSL +/EPWR
F	MBRK+
G	MBRK-
H	DSL -/ECOM
L	-

MODEL	LB	LD	LE
0631	153.7 [6.05]	130.8 [5.15]	90.9 [3.58]
0632	178.7 [7.04]	155.8 [6.13]	115.9 [4.56]
0633	203.7 [8.02]	180.8 [7.12]	140.9 [5.55]

- NOTES:
- DXF OF THIS DRAWING MUST BE SCALED TO LENGTH, SEE CHART ABOVE. MODEL SHOWN IS VPL-X0631X-XK14AA
 - 3D STEP (.stp) FILES AVAILABLE AT ALL LENGTHS.
 - COVERS SINGLE AND MULTI-TURN ABSOLUTE ENCODER 240V AND 480V MODELS (i.e., VPL-B063XX-CX14XX AND VPL-B063XX-PX14XX).



DETAIL A
SCALE 2.000



<p>UNLESS OTHERWISE SPECIFIED DO NOT SCALE DRAWING DIMENSIONS ARE IN MILLIMETERS WITH INCHES REFERENCED (X) UNLESS OTHERWISE SPECIFIED 3RD ANGLE PROJECTION</p>	<p>Rockwell Automation</p>		<p>CONFIDENTIAL AND PROPRIETARY INFORMATION THIS DOCUMENT CONTAINS CONFIDENTIAL AND PROPRIETARY INFORMATION OF ROCKWELL AUTOMATION, INC. AND MAY NOT BE USED, COPIED OR DISCLOSED TO OTHERS, EXCEPT WITH THE AUTHORIZED WRITTEN PERMISSION OF ROCKWELL AUTOMATION, INC.</p>	
	<p>VPL-X063X-XX14AX.ESM</p>		<p>Sheet 1 Of 1</p>	<p>Ver</p>
<p>Drawn by: YROLYAN</p>	<p>Date: 07-30-13</p>	<p>Size</p> <p>D</p>	<p>10000245151</p>	<p>01</p>