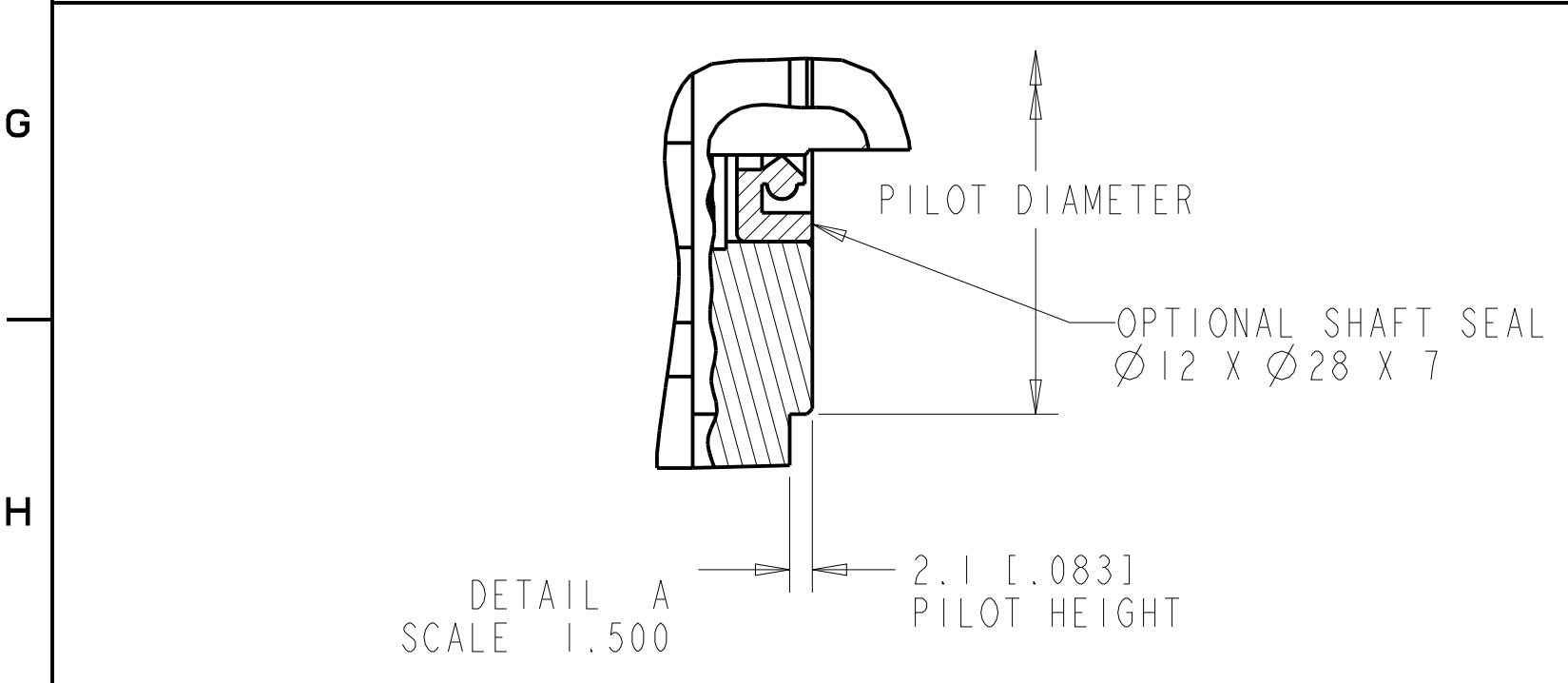


MODEL	LB	LD	LE
0751	124.9 [4.92]	102 [4.02]	62.1 [2.44]
0752	149.9 [5.90]	127 [5.00]	87.1 [3.43]
0753	174.9 [6.89]	152 [5.98]	112.1 [4.41]

PIN-OUT CONNECTOR	
PIN	FUNCTION
A	U
B	V
C	W
⊕	GND
E	DSL +/-EPWR
F	-
G	-
H	DSL -/ECOM
L	-

- NOTES:
- DXF OF THIS DRAWING MUST BE SCALED TO LENGTH, SEE CHART ABOVE. MODEL SHOWN IS VPL-X075IX-XK12AA
 - 3D STEP (.stp) FILES AVAILABLE AT ALL LENGTHS.
 - COVERS SINGLE AND MULTI-TURN ABSOLUTE ENCODER 240V AND 480V MODELS (i.e..VPL-B075XX-CX12XX AND VPL-B075XX-PX12XX).



UNLESS OTHERWISE SPECIFIED

DO NOT SCALE DRAWING DIMENSIONS ARE IN MILLIMETERS WITH INCHES REFERENCED [X] UNTOLERANCED DIMENSIONS ARE REFERENCE

3RD ANGLE PROJECTION

Rockwell Automation

VPL-X075X-XX12AX,ESM

CONFIDENTIAL AND PROPRIETARY INFORMATION. THIS DOCUMENT CONTAINS CONFIDENTIAL AND PROPRIETARY INFORMATION OF ROCKWELL AUTOMATION, INC. AND MAY NOT BE USED, COPIED OR DISCLOSED TO OTHERS, EXCEPT WITH THE AUTHORIZED WRITTEN PERMISSION OF ROCKWELL AUTOMATION, INC.

Sheet 1 Of 1

Size C Ver 01

10000245156

Drawn by: YROLYAN Date: 07-30-13