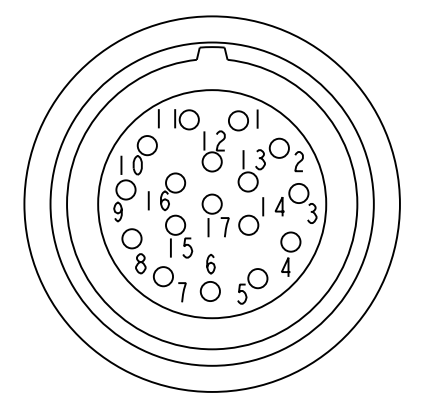
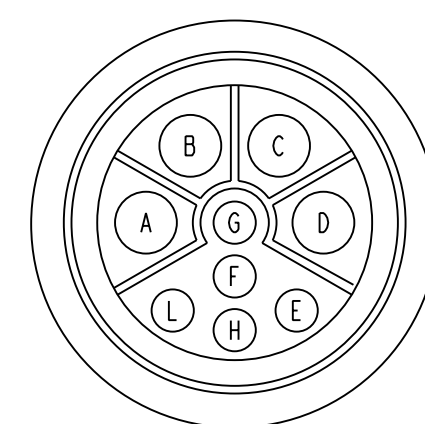
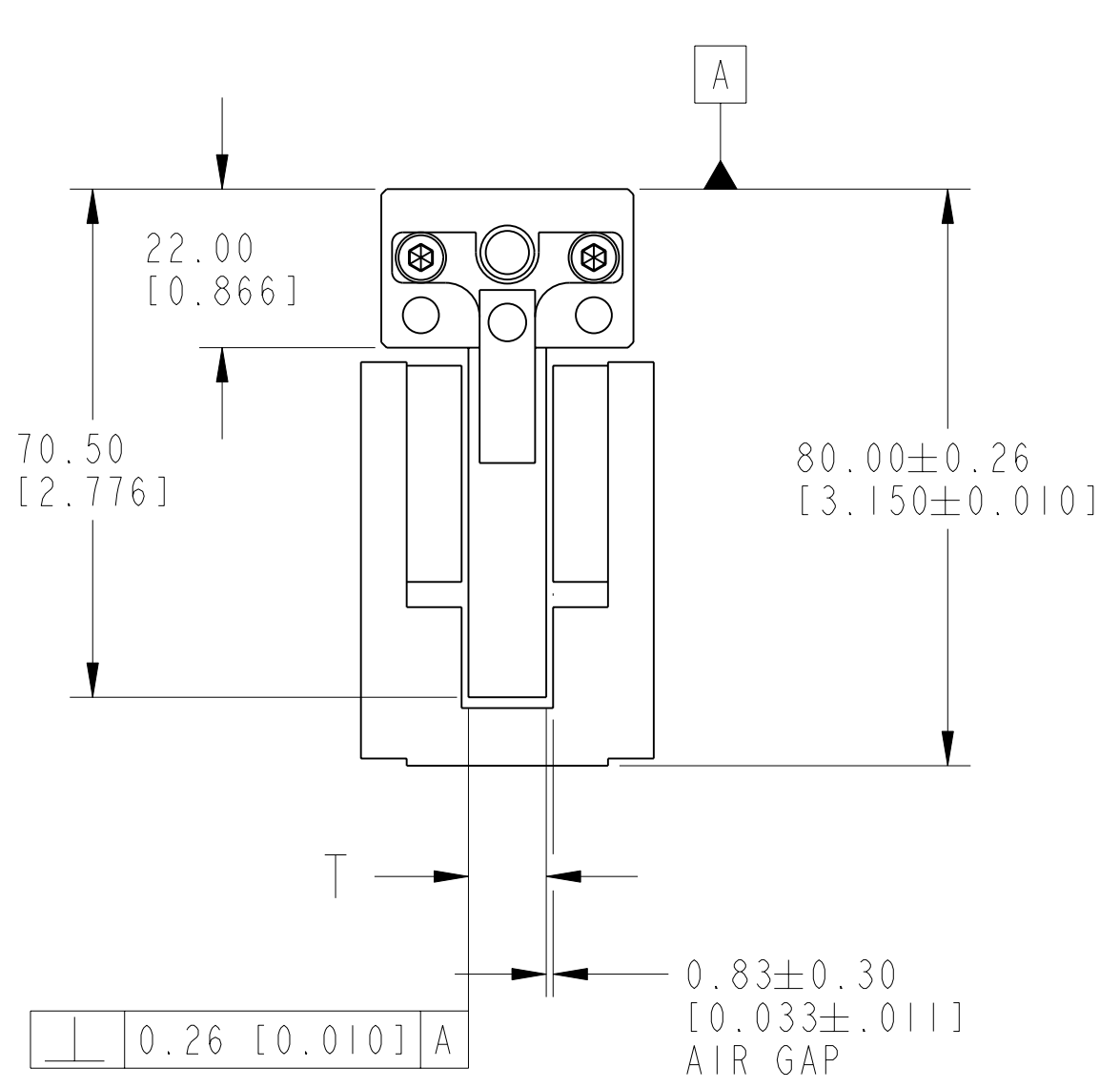
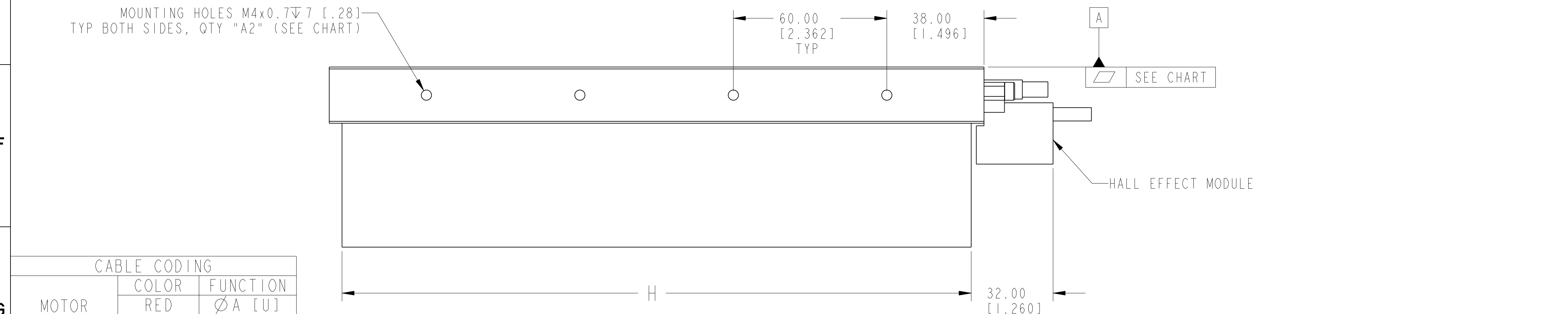
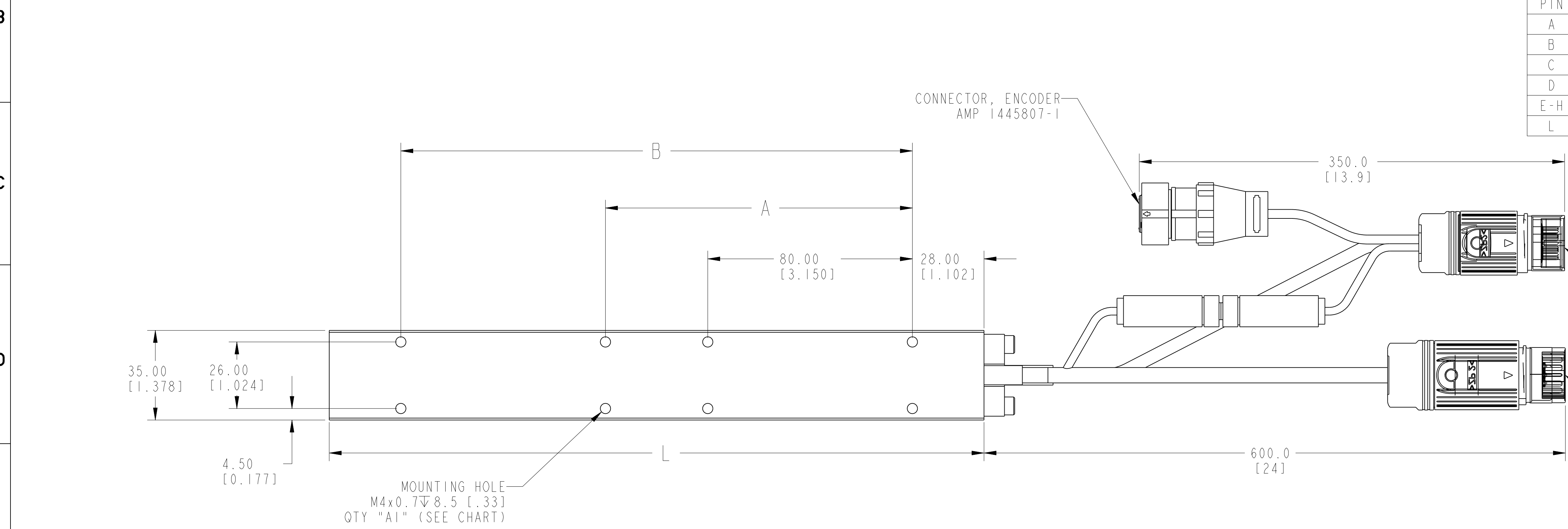


1		2				3		4		5	6	7	8
CATALOG NUMBER	MATERIAL MASTER	L	A	B	G	H	T	"A1" QTY	"A2" QTY	FLATNESS -A-	WEIGHT kg /[lbs]	POWER CABLE (SEE BELOW)	
LDL-N030120-DHT11	PN-39153	136.0 [5.35]	----	----	60.00 [2.362]	126.00 [4.961]	8.30 [.33]	4	2	0.25 [.010]	0.83 [1.83]	20	
LDL-T030120-DH11	PN-39156						10.80 [.43]				0.94 [2.07]		
LDL-N030240-DHT11	PN-39154	256.0 [10.08]	120.00 [4.724]	200.00 [7.874]	180.00 [7.087]	246.00 [9.685]	8.30 [.33]	8	4	0.25 [.010]	1.34 [2.95]	20	
LDL-N030240-EHT11	PN-39155						10.80 [.43]				1.57 [3.46]		
LDL-T030240-DHT11	PN-39157						10.80 [.43]				1.57 [3.46]		
LDL-T030240-EHT11	PN-39158												



PIN-OUT	
POWER CONNECTOR	
PIN	FUNCTION
A	U
B	V
C	W
D	GROUND
E-H	-
L	-

PIN - OUT			
FEEDBACK CONNECTOR			
PIN	FUNCTION	PIN	FUNCTION
1	A+	9	+5 VDC
2	A-	10	COM
3	B+	11-12	-
4	B-	13	TS +
5	I+	14	TS-COM
6	I-	15	S1
7	RESERVED	16	S2
8	RESERVED	17	S3



CABLE CODING		
MOTOR POWER LEADS	COLOR	FUNCTION
	RED	Ø A [U]
	WHT	Ø B [V]
	BLK	Ø C [W]
	GRN/YEL	GND

THERMISTOR (PTC)	COLOR	FUNCTION
	BLK	THERM
	BLK	THERM

HALL EFFECT (TRAP)	COLOR	FUNCTION	CABLE INFORMATION (ALL CABLES ARE NON-FLEX)					
			CABLE	# COND	GA	SHLD TYPE	DIAMETER	STATIC BEND RADIUS
	RED	V+	POWER	4	20	BRAID	Ø 6.4 [.25]	17.0 [.37]
	WHT	S1	THERM	2	26	NONE	Ø 4.0 [.16]	10.0 [.40]
	BLU	S2	HALL MOD	6	24	FOIL	Ø 5.0 [.20]	15.0 [.59]
	ORN	S3						
	BLK	VRTN						
	GRN	NC						

REFERENCES		LDL-x030xxx-xHT11, ESM MOTOR COIL W/CONNECTOR		CONFIDENTIAL AND PROPRIETARY INFORMATION		
REVISION	AUTHORIZATION	DIMENSIONS APPLY BEFORE SURFACE TREATMENT	TOLERANCES UNLESS OTHERWISE SPECIFIED	THIS DOCUMENT CONTAINS CONFIDENTIAL AND PROPRIETARY INFORMATION OF ROCKWELL AUTOMATION, INC. AND MAY NOT BE USED, COPIED OR DISCLOSED TO OTHERS, EXCEPT WITH THE AUTHORIZED WRITTEN PERMISSION OF ROCKWELL AUTOMATION, INC.		
		0 TO 6mm ±0.1				
		>6 TO 30mm ±0.2				
		>30mm ±0.3				
		ALL RADII ±0.2				
		ANGLES ±1°		DR. FS	DATE 02-04-09	SHEET 1 OF 1
				CHKD.	DATE	DWG. SIZE
				APPD.	DATE	D 10000043862