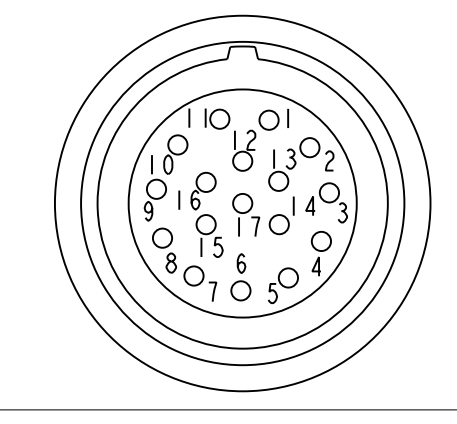
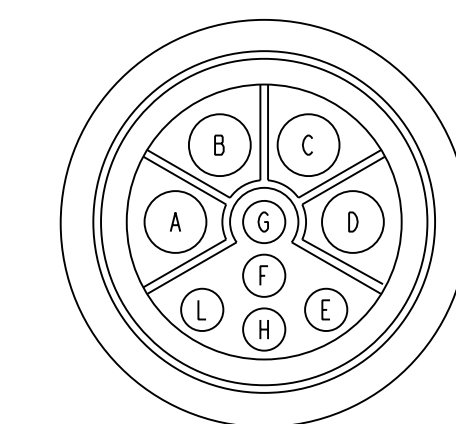
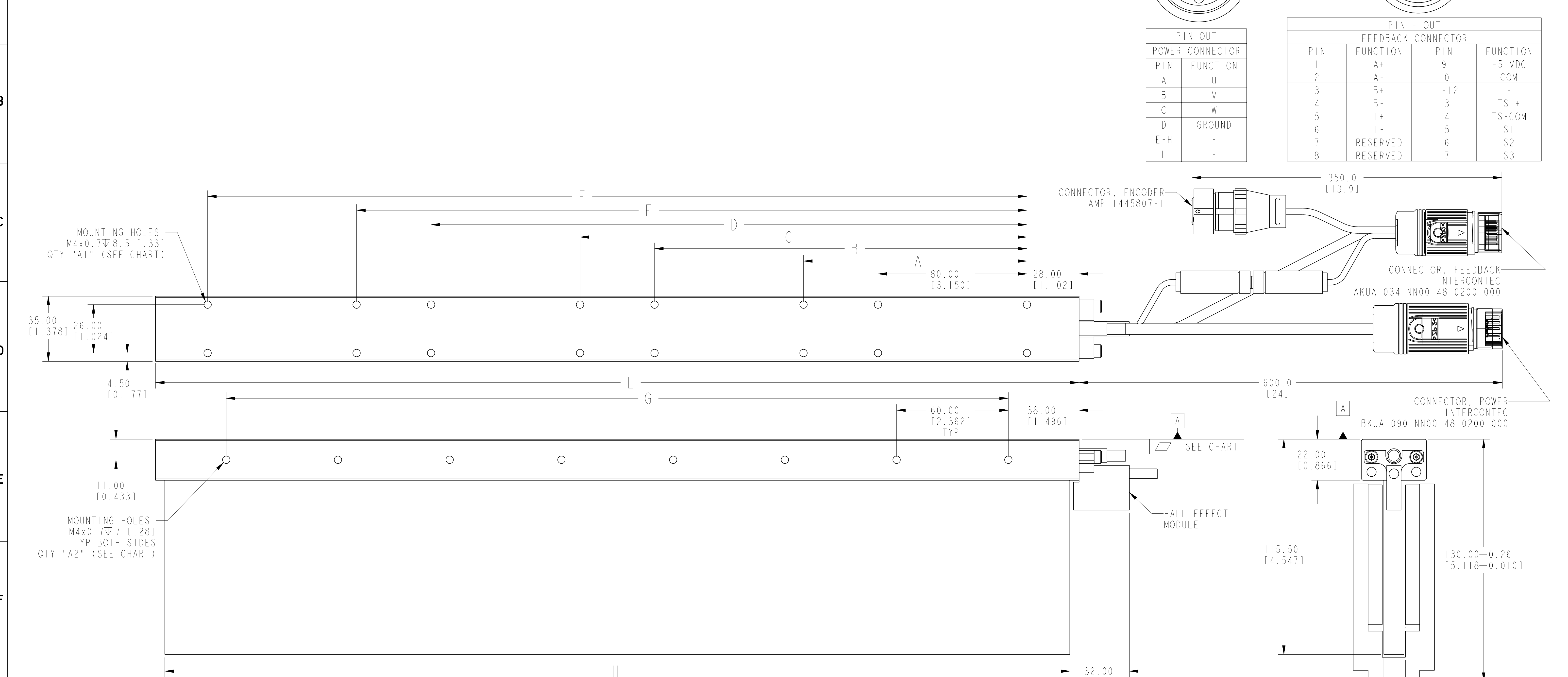


CATALOG NUMBER	MATERIAL MASTER	L	A	B	C	D	E	F	G	H	T	"A1" QTY	"A2" QTY	FLATNESS -A-	WEIGHT kg/(LBS)	POWER CABLE (SEE BELOW)
LDL-N070480-DHT11	PN-39222										8.30				3.52	18
LDL-N075480-EHT11	PN-39223	496.0	120.00	200.00	240.00	320.00	360.00	440.00	420.00	486.00	[.33]	16	8	0.64	[7.76]	20
LDL-T075480-DHT11	PN-39224	[19.53]	[4.724]	[7.874]	[9.449]	[12.598]	[14.173]	[17.323]	[16.535]	[19.134]	10.80			[.025]	4.36	18
LDL-T075480-EHT11	PN-39225										[.43]				[9.61]	20



PIN-OUT POWER CONNECTOR	
PIN	FUNCTION
A	U
B	V
C	W
D	GROUND
E-H	-
L	-

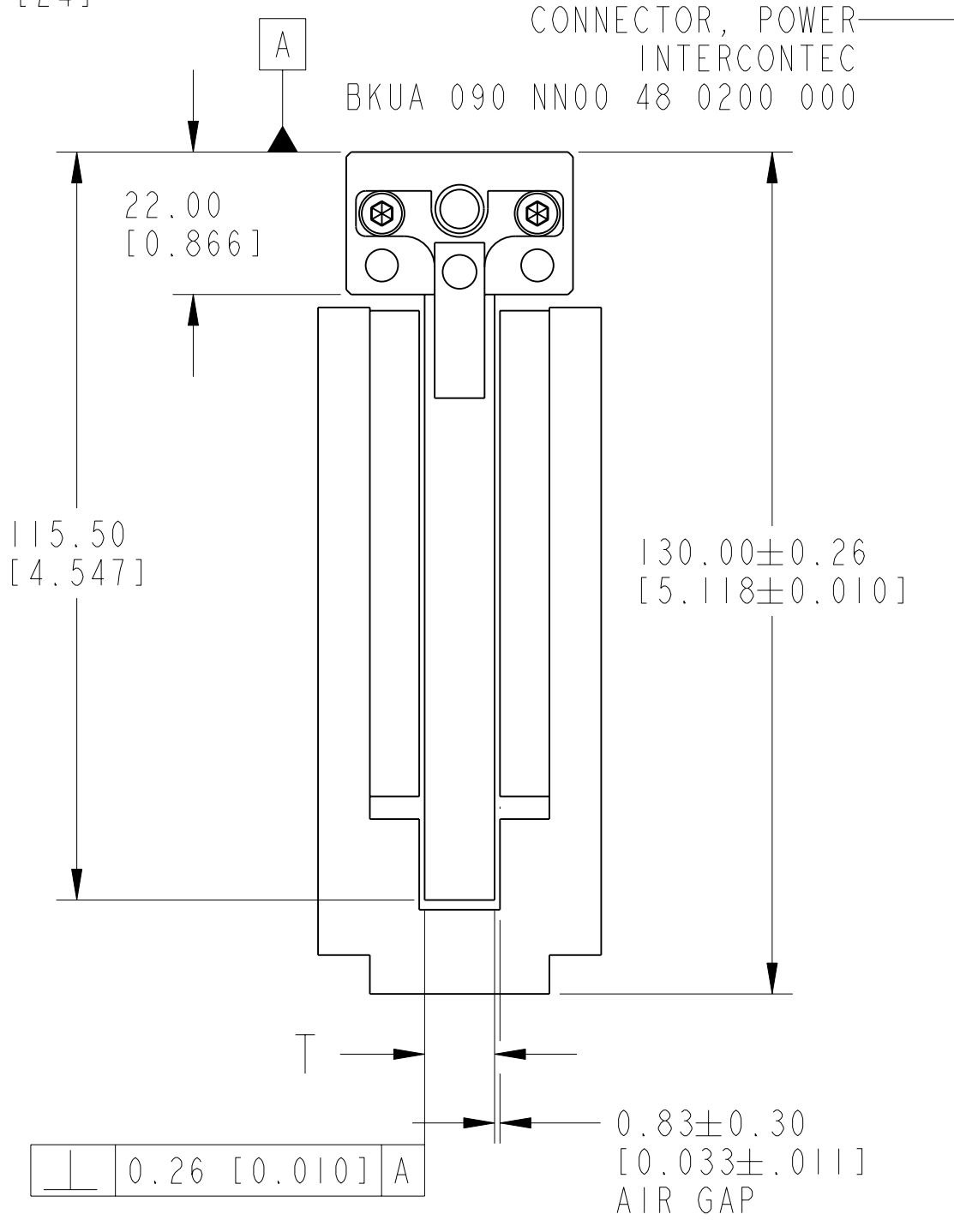
PIN - OUT FEEDBACK CONNECTOR			
PIN	FUNCTION	PIN	FUNCTION
1	A+	9	+5 VDC
2	A-	10	COM
3	B+	11-12	-
4	B-	13	TS +
5	I+	14	TS-COM
6	I-	15	S1
7	RESERVED	16	S2
8	RESERVED	17	S3



CABLE CODING		
MOTOR POWER LEADS	COLOR	FUNCTION
	RED	Ø A [U]
	WHT	Ø B [V]
	BLK	Ø C [W]
	GRN/YEL	GND

THERMISTOR (PTC)		
	COLOR	FUNCTION
	BLK	THERM
	BLK	THERM

CABLE INFORMATION (ALL CABLES ARE NON-FLEX)							
CABLE	# COND	GA	SHLD TYPE	DIAMETER	STATIC BEND RADIUS		
POWER	4	18	BRAID	Ø 7.0 [.28]	18.0 [.70]		
		20		Ø 6.4 [.25]	17.0 [.67]		
THERM	2	26	NONE	Ø 4.0 [.16]	10.0 [.40]		
HALL MOD	6	24	FOIL	Ø 5.0 [.20]	15.0 [.59]		



REFERENCES		LDL-X075xxx-xHT11, ESM MOTOR COIL W/ CONNECTOR		CONFIDENTIAL AND PROPRIETARY INFORMATION	
REVISION	AUTHORIZATION	DIMENSIONS APPLY BEFORE SURFACE TREATMENT	TOLERANCES UNLESS OTHERWISE SPECIFIED:	THIS DOCUMENT CONTAINS CONFIDENTIAL AND PROPRIETARY INFORMATION OF ROCKWELL AUTOMATION, INC. AND MAY NOT BE USED, COPIED OR DISCLOSED TO OTHERS, EXCEPT WITH THE AUTHORIZED WRITTEN PERMISSION OF ROCKWELL AUTOMATION, INC.	
		0 TO 6mm ±0.1	>6 TO 30mm ±0.2	<div style="text-align: center;">Rockwell Automation</div>	
		>30mm ±0.3	ALL RADII ±0.2		
		ANGLES ±1°			
		DR. FS	DATE 02-04-09	SHEET 1 OF 1	D 1000043872
		CHKD.	DATE	DWG. SIZE	
		APPD.	DATE		