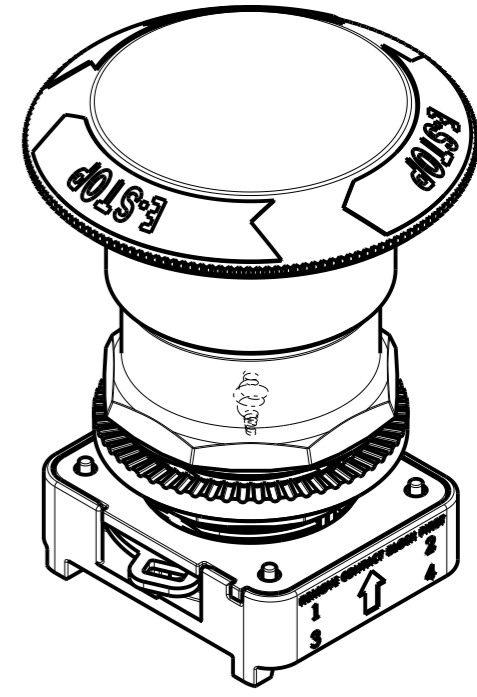
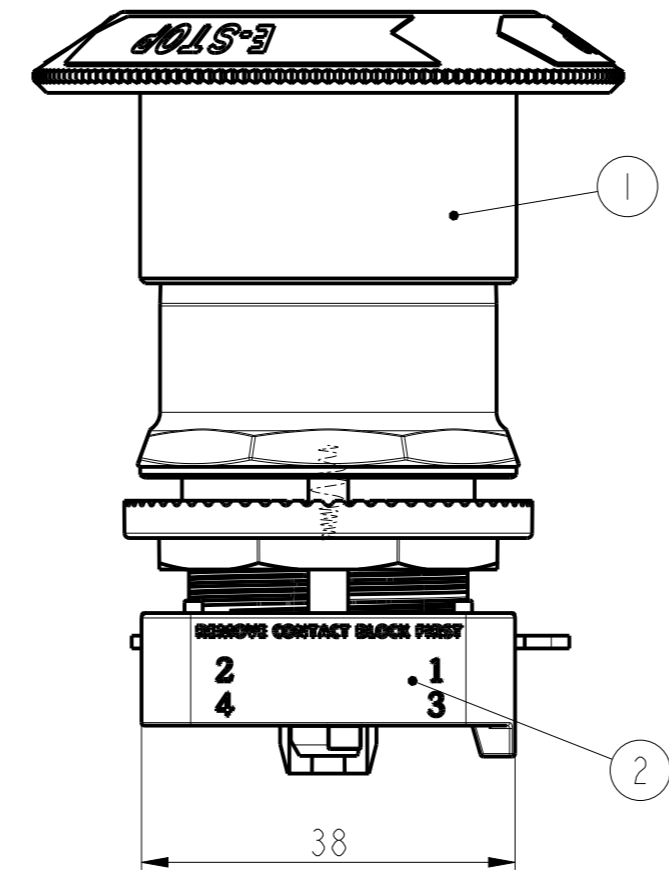
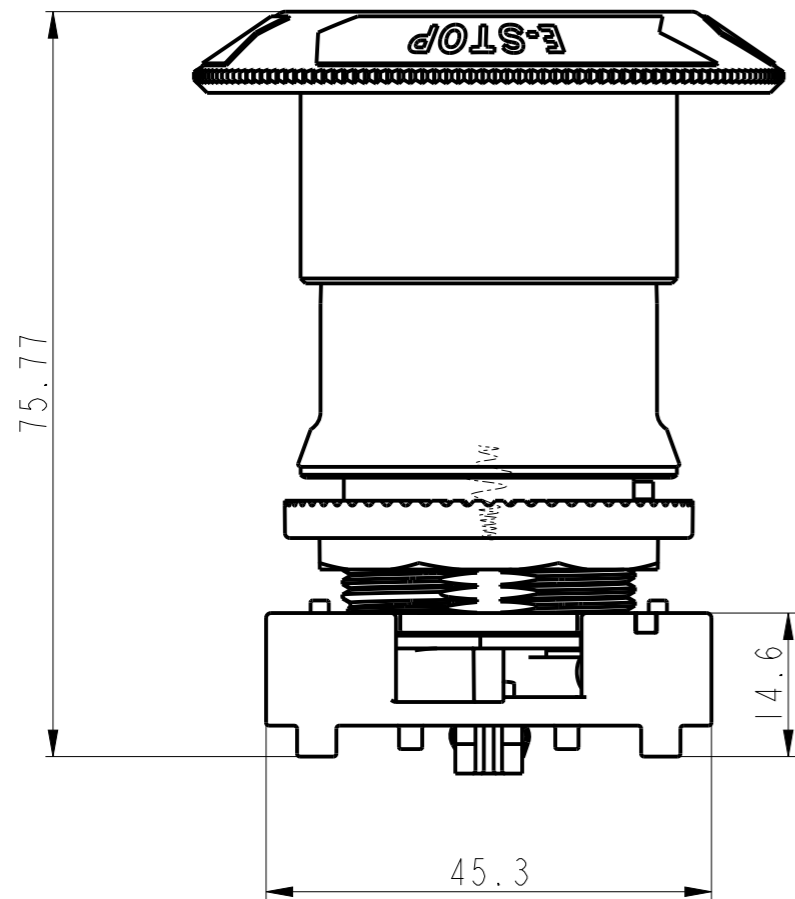
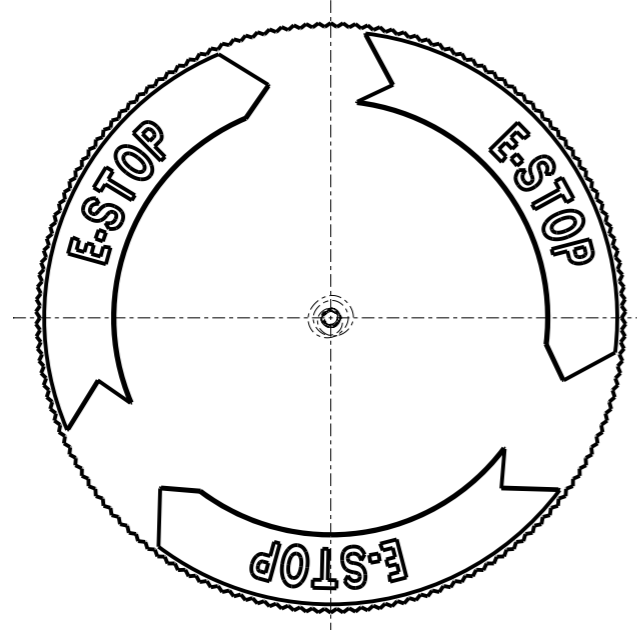


CRITICAL TO QUALITY CLASSIFICATION TABLE					
P=PERFORMANCE, F=FIT, A=ASSEMBLY					
X=IDENTIFIES APPLICABLE CLASSIFICATION(S)					
◇=ENGINEERING AND/OR MANUFACTURING REQUIREMENT					
Ⓢ=REGULATORY REQUIREMENT-CONFORMANCE IS MANDATORY					
COMMENTS	DRAWING ZONE	P	F	A	R
ROHS	GI-HI				X



3D-VIEW



Note:  
 Packaging: see BOM  
 Instruction sheet: PN-75038 / DRW/10000105838

PN-79520	800H-TFRXJTS00R
Part Number	Catalog Number

WORKMANSHIP STANDARDS	FINISH	MATERIAL	10000099319	PN-79520	
ALL UNDIMENSIONED GEOMETRIES ARE CONTROLLED BY THE CAD MODEL. IN CASE OF DIMENSION DISCREPANCY, CAD MODEL OVERRIDES.			MODEL/DIR NO.	PART/MMR NUMBER	
<b>Rockwell Automation</b>			CONFIDENTIAL AND PROPRIETARY INFORMATION. THIS DOCUMENT CONTAINS CONFIDENTIAL AND PROPRIETARY INFORMATION OF ROCKWELL AUTOMATION, INC. AND MAY NOT BE USED, COPIED OR DISCLOSED TO OTHERS, EXCEPT WITH THE AUTHORIZED WRITTEN PERMISSION OF ROCKWELL AUTOMATION, INC.		
			DATE: 2022-01-31		SHEET 1 OF 1
FIRST ANGLE PROJECTION	DESCRIPTION	800H ESTOP ILL 60mm Operator Only	SIZE	DIR	VER
	CREATED BY: PKLANDE	CHANGED BY: -	A3	10000099320	00

MUST COMPLY WITH ROCKWELL AUTOMATION ENVIRONMENTAL SPECIFICATION 970-20-01