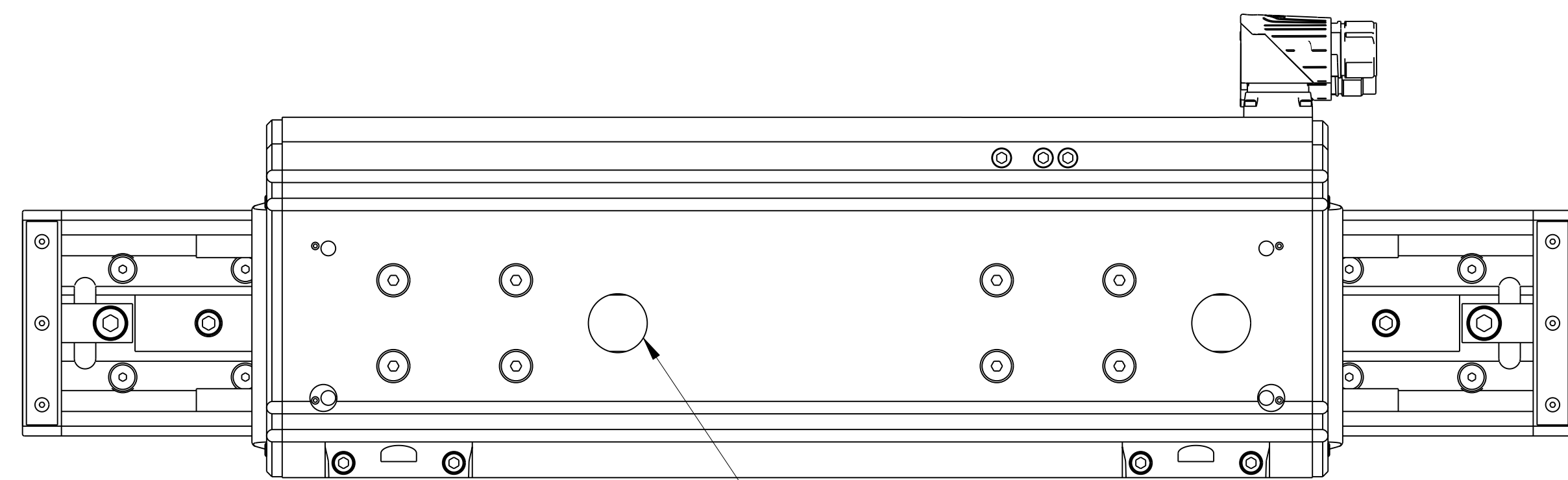


- NOTES:
1. ALL DIMENSIONS ARE IN MILLIMETERS.
 2. TOLERANCES APPLY ONLY WHEN SPECIFIED.
 3. REF DRAWING 10000270340 FOR SPECIFIC NAMEPLATE INFORMATION.
 4. ALL MATERIALS UNLESS SPECIFIED OTHERWISE ARE ANODIZED ALUMINUM. WIPERS ARE DELRIN, MAGNET COVERS AND MOST HARDWARE ARE STAINLESS STEEL. SOME SCREWS ARE ZINC PLATED STEEL. THE LINEAR BEARING SYSTEM IS STEEL.
 5. FLATNESS REQUIREMENT FOR THE SURFACE THAT THIS STAGE IS TO BE MOUNTED TO: 0.13 [0.005] / 305 X 305 [12 X 12]
 6. UP TO APPROX. 5.0 mm OVERTRAVEL EACH END. AN ADDITIONAL 12.7 mm OVERTRAVEL EACH END WHEN STOP FULLY COMPRESSED IN A CRASH CONDITION.

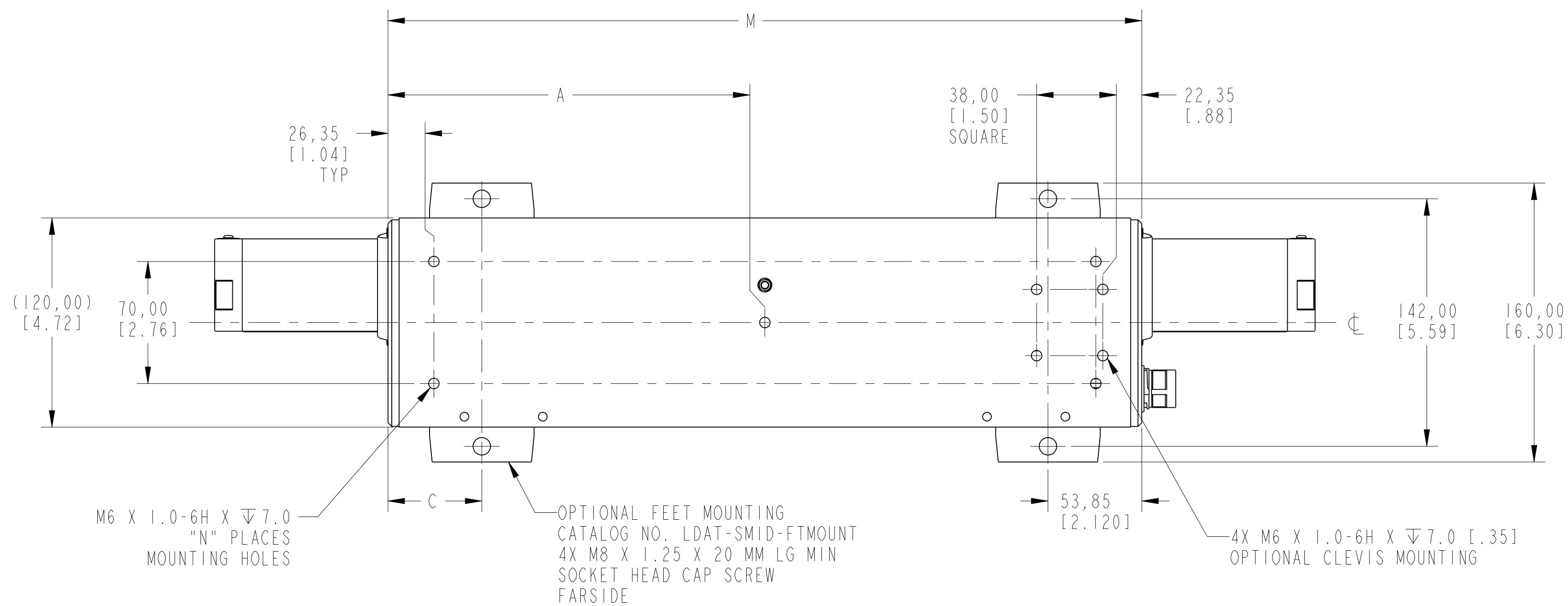
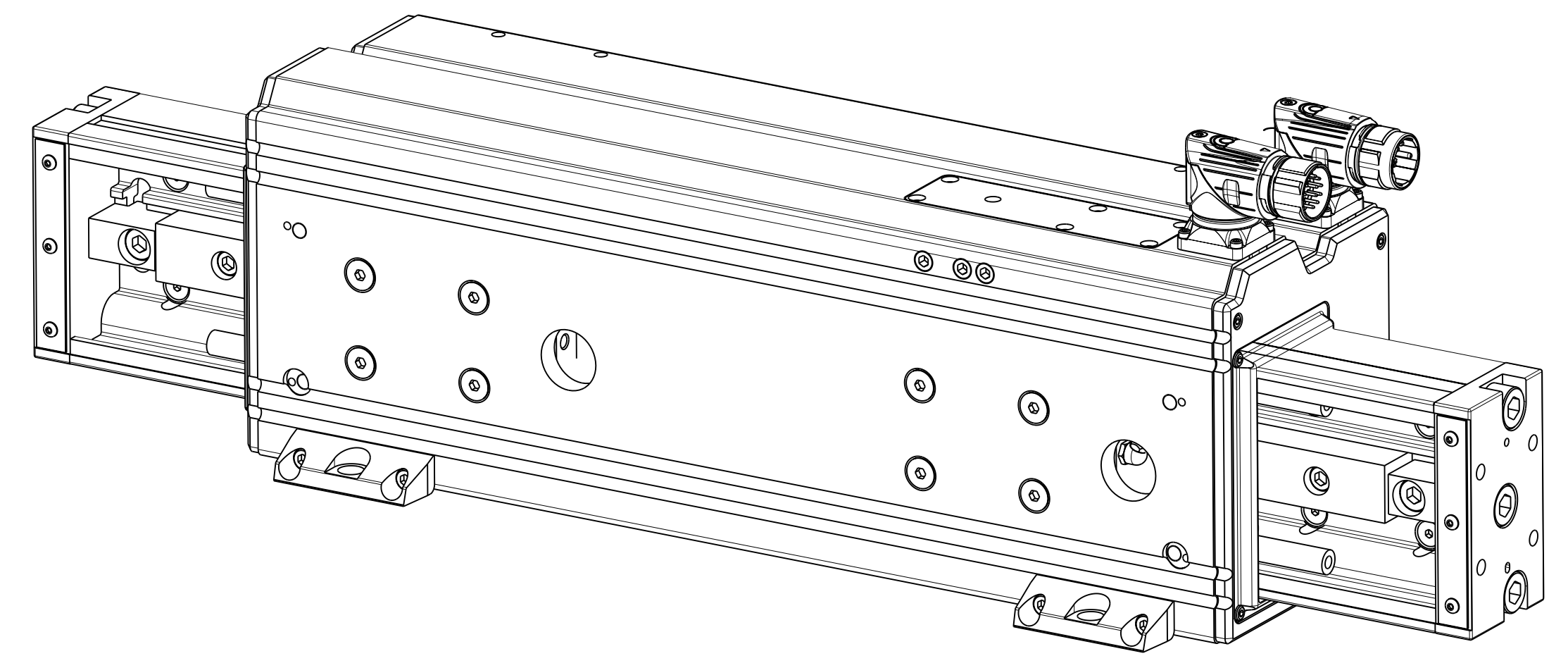
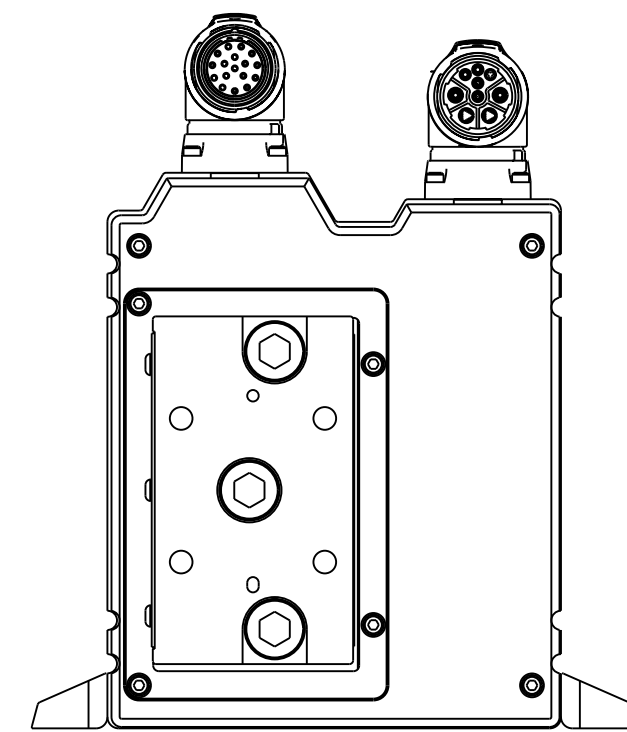
DIMENSIONS APPLY BEFORE SURFACE TREATMENT		Rockwell Automation	CONFIDENTIAL AND PROPRIETARY INFORMATION THIS DOCUMENT CONTAINS CONFIDENTIAL AND PROPRIETARY INFORMATION OF ROCKWELL AUTOMATION, INC. AND MAY NOT BE USED, COPIED OR DISCLOSED TO OTHERS, EXCEPT WITH THE AUTHORIZED WRITTEN PERMISSION OF ROCKWELL AUTOMATION, INC.		
DIMENSIONS IN MILLIMETERS			10000270346.drw LDAT-SERIES INTEGRATED LINEAR THRUSTER 50 & 75 FRAME	Sheet 1 Of 4	
TOLERANCES UNLESS OTHERWISE SPECIFIED				Size	Ver
.X: ±	±.25			D	10000270346
.XX: ±	±.12	Drawn by: LN Date: 03-02-12			
ANG: ±	±1°				

1 2 3 4 5 6 7 8

A
B
C
D
E
F
G
H

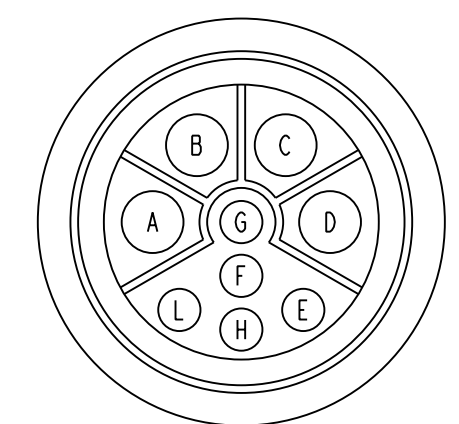


GREASE FITTING
ACCESS HOLES



		<small>CONFIDENTIAL AND PROPRIETARY INFORMATION THIS DOCUMENT CONTAINS CONFIDENTIAL AND PROPRIETARY INFORMATION OF ROCKWELL AUTOMATION, INC. AND MAY NOT BE USED, COPIED OR DISCLOSED TO OTHERS, EXCEPT WITH THE AUTHORIZED WRITTEN PERMISSION OF ROCKWELL AUTOMATION, INC.</small>	
		Sheet 2 Of 4	
10000270346.drw LDAT-SERIES INTEGRATED LINEAR THRUSTER 50 & 75 FRAME		Size D	Ver 00
Drawn by: LN	Date: 03-05-12	10000270346	

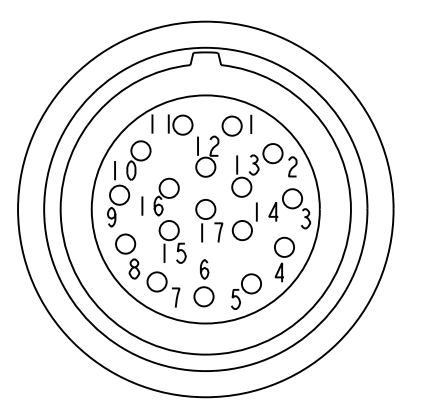
POWER CONNECTOR
 INTERCONTEC
 BEDC 091 NN00 00 0202 000



PIN-OUT	
POWER CONNECTOR	
PIN	FUNCTION
A	U
B	V
C	W
D	GROUND
E	-
F	-
G	-
H	-
L	-

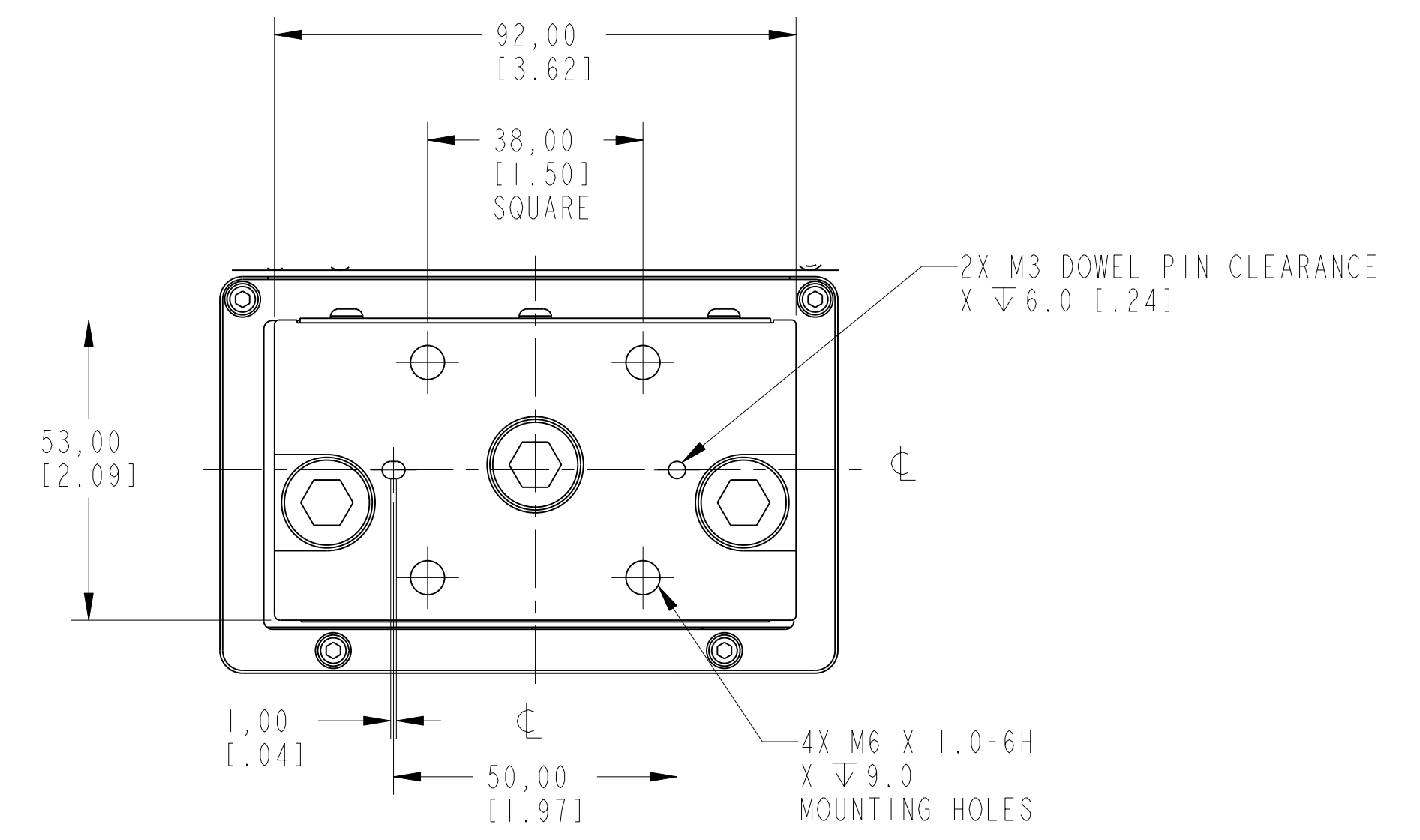
TABLE 1

FEEDBACK CONNECTOR
 INTERCONTEC
 AEDC 113 NN00 00 0202 000



PIN - OUT		
ENCODER CONNECTOR		
PIN	FUNCTION	
	ABSOLUTE	INCREMENTAL
1	SIN +	A+
2	SIN -	A-
3	COS +	B+
4	COS -	B-
5	DATA +	INDEX +
6	DATA -	INDEX -
7	-	-
8	-	-
9	-	+5V
10	RTN	
11	+9V	-
12	-	RTN
13	TS +	
14	TS -	
15	-	S1
16	-	S2
17	-	S3

TABLE 2



DETAIL A
 SLIDER END MOUNTING
 SCALE 1:1
 TYP BOTH ENDS

FRAME SIZE: 50

MOTOR SIZE: 100

CATALOG NO.	STROKE [mm]	L [mm]	M [mm]	A [mm]	B [mm]	C [mm]	N	WEIGHT [kg]	SHIP WEIGHT [kg]
LDAT-S051010-XXX	100	431.75	232.70	-	51.35	38.85	4	10.30	
LDAT-S051020-XXX	200	531.75						11.26	
LDAT-S051030-XXX	300	631.75						12.21	
LDAT-S051040-XXX	400	731.75						13.17	
LDAT-S051050-XXX	500	831.75						14.12	

MOTOR SIZE: 200

CATALOG NO.	STROKE [mm]	L [mm]	M [mm]	A [mm]	B [mm]	C [mm]	N	WEIGHT [kg]	SHIP WEIGHT [kg]
LDAT-S052010-XXX	100	531.75	332.70	-	66.35	53.85	4	14.60	
LDAT-S052020-XXX	200	631.75						15.55	
LDAT-S052030-XXX	300	731.75						16.51	
LDAT-S052040-XXX	400	831.75						17.46	
LDAT-S052050-XXX	500	931.75						18.42	

MOTOR SIZE: 300

CATALOG NO.	STROKE [mm]	L [mm]	M [mm]	A [mm]	B [mm]	C [mm]	N	WEIGHT [kg]	SHIP WEIGHT [kg]
LDAT-S053010-XXX	100	631.75	432.70	216.35	66.35	53.85	5	18.88	
LDAT-S053020-XXX	200	731.75						19.84	
LDAT-S053030-XXX	300	831.75						20.80	
LDAT-S053040-XXX	400	931.75						21.75	
LDAT-S053050-XXX	500	1031.75						22.71	

MOTOR SIZE: 400

CATALOG NO.	STROKE [mm]	L [mm]	M [mm]	A [mm]	B [mm]	C [mm]	N	WEIGHT [kg]	SHIP WEIGHT [kg]
LDAT-S054010-XXX	100	731.75	532.70	266.35	66.35	53.85	5	23.25	
LDAT-S054020-XXX	200	831.75						24.21	
LDAT-S054030-XXX	300	931.75						25.16	
LDAT-S054040-XXX	400	1031.75						26.12	
LDAT-S054050-XXX	500	1131.75						27.07	

FRAME SIZE: 75

MOTOR SIZE: 200

CATALOG NO.	STROKE [mm]	L [mm]	M [mm]	A [mm]	B [mm]	C [mm]	N	WEIGHT [kg]	SHIP WEIGHT [kg]
LDAT-S072010-XXX	100	531.75	332.70	-	66.35	53.85	4	17.72	
LDAT-S072020-XXX	200	631.75						18.94	
LDAT-S072030-XXX	300	731.75						20.16	
LDAT-S072040-XXX	400	831.75						21.37	
LDAT-S072050-XXX	500	931.75						22.59	
LDAT-S072060-XXX	600	1031.75						23.81	
LDAT-S072070-XXX	700	1131.75						25.02	

MOTOR SIZE: 300

CATALOG NO.	STROKE [mm]	L [mm]	M [mm]	A [mm]	B [mm]	C [mm]	N	WEIGHT [kg]	SHIP WEIGHT [kg]
LDAT-S073010-XXX	100	631.75	432.70	216.35	66.35	53.85	5	22.98	
LDAT-S073020-XXX	200	731.75						24.20	
LDAT-S073030-XXX	300	831.75						25.41	
LDAT-S073040-XXX	400	931.75						26.63	
LDAT-S073050-XXX	500	1031.75						27.85	
LDAT-S073060-XXX	600	1131.75						29.06	
LDAT-S073070-XXX	700	1231.75						30.28	

MOTOR SIZE: 400

CATALOG NO.	STROKE [mm]	L [mm]	M [mm]	A [mm]	B [mm]	C [mm]	N	WEIGHT [kg]	SHIP WEIGHT [kg]
LDAT-S074010-XXX	100	731.75	532.70	266.35	66.35	53.85	5	28.19	
LDAT-S074020-XXX	200	831.75						29.40	
LDAT-S074030-XXX	300	931.75						30.62	
LDAT-S074040-XXX	400	1031.75						31.84	
LDAT-S074050-XXX	500	1131.75						33.06	
LDAT-S074060-XXX	600	1231.75						34.27	
LDAT-S074070-XXX	700	1331.75						35.49	

MOTOR SIZE: 600

CATALOG NO.	STROKE [mm]	L [mm]	M [mm]	A [mm]	B [mm]	C [mm]	N	WEIGHT [kg]	SHIP WEIGHT [kg]
LDAT-S076010-XXX	100	931.75	732.70	366.35	66.35	53.85	5	38.58	
LDAT-S076020-XXX	200	1031.75						39.80	
LDAT-S076030-XXX	300	1131.75						41.02	
LDAT-S076040-XXX	400	1231.75						42.23	
LDAT-S076050-XXX	500	1331.75						43.45	
LDAT-S076060-XXX	600	1431.75						44.67	
LDAT-S076070-XXX	700	1531.75						45.88	