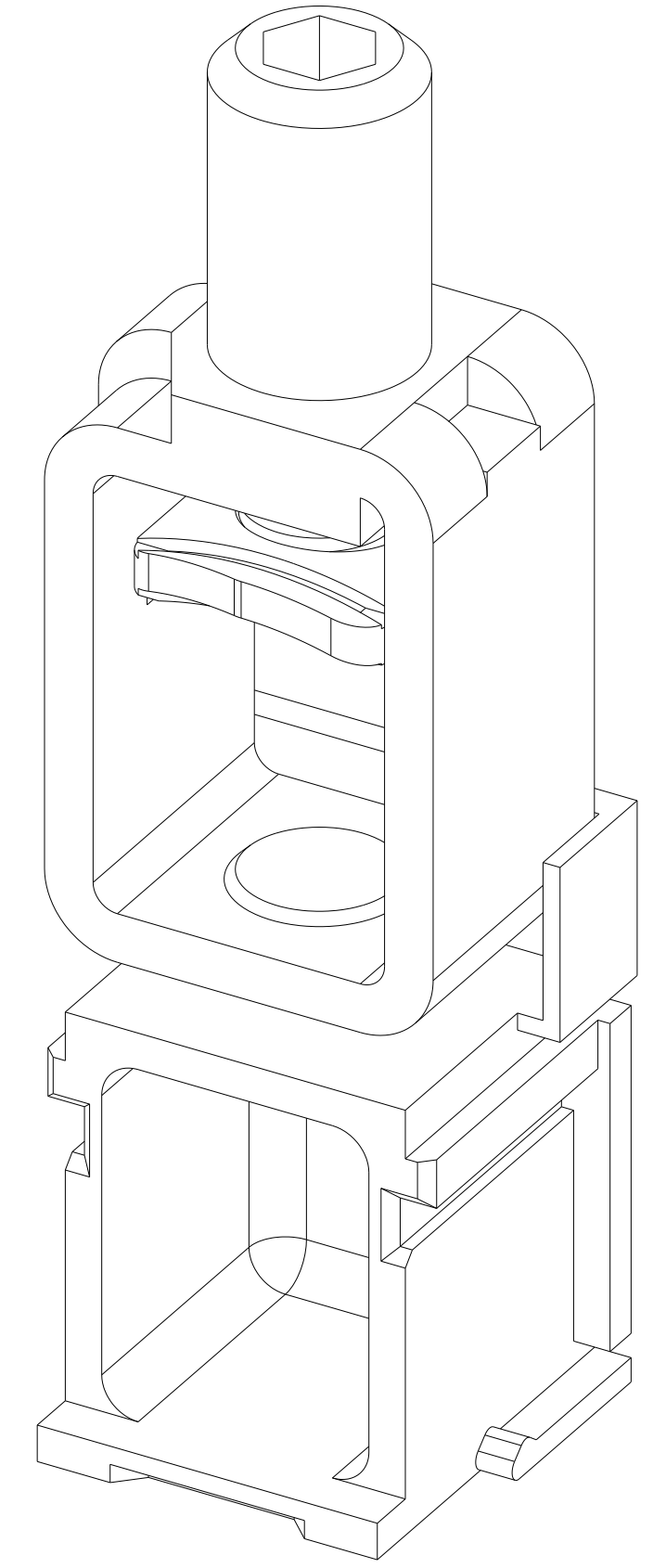
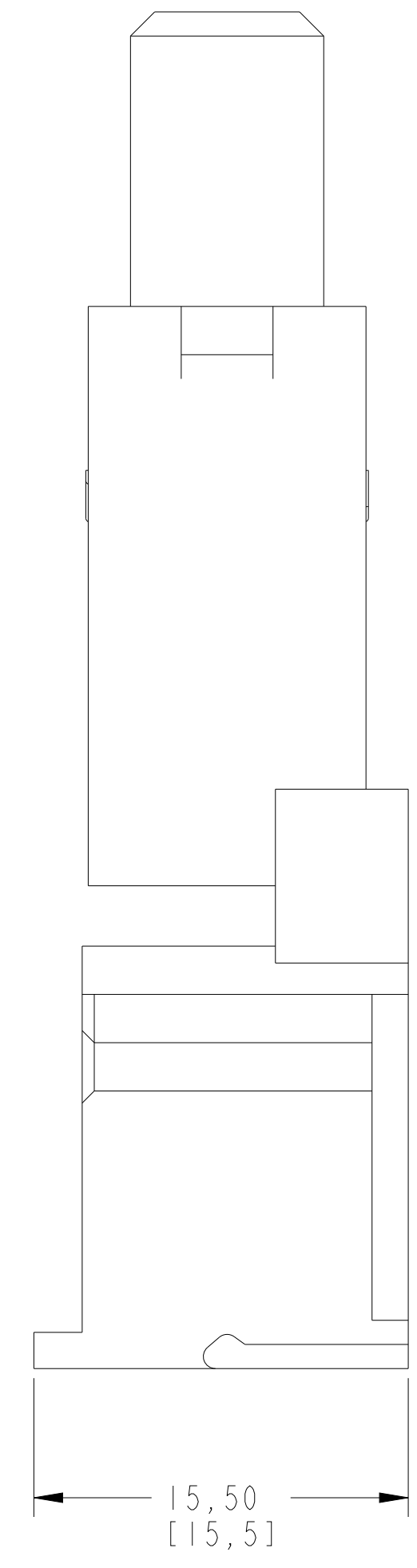
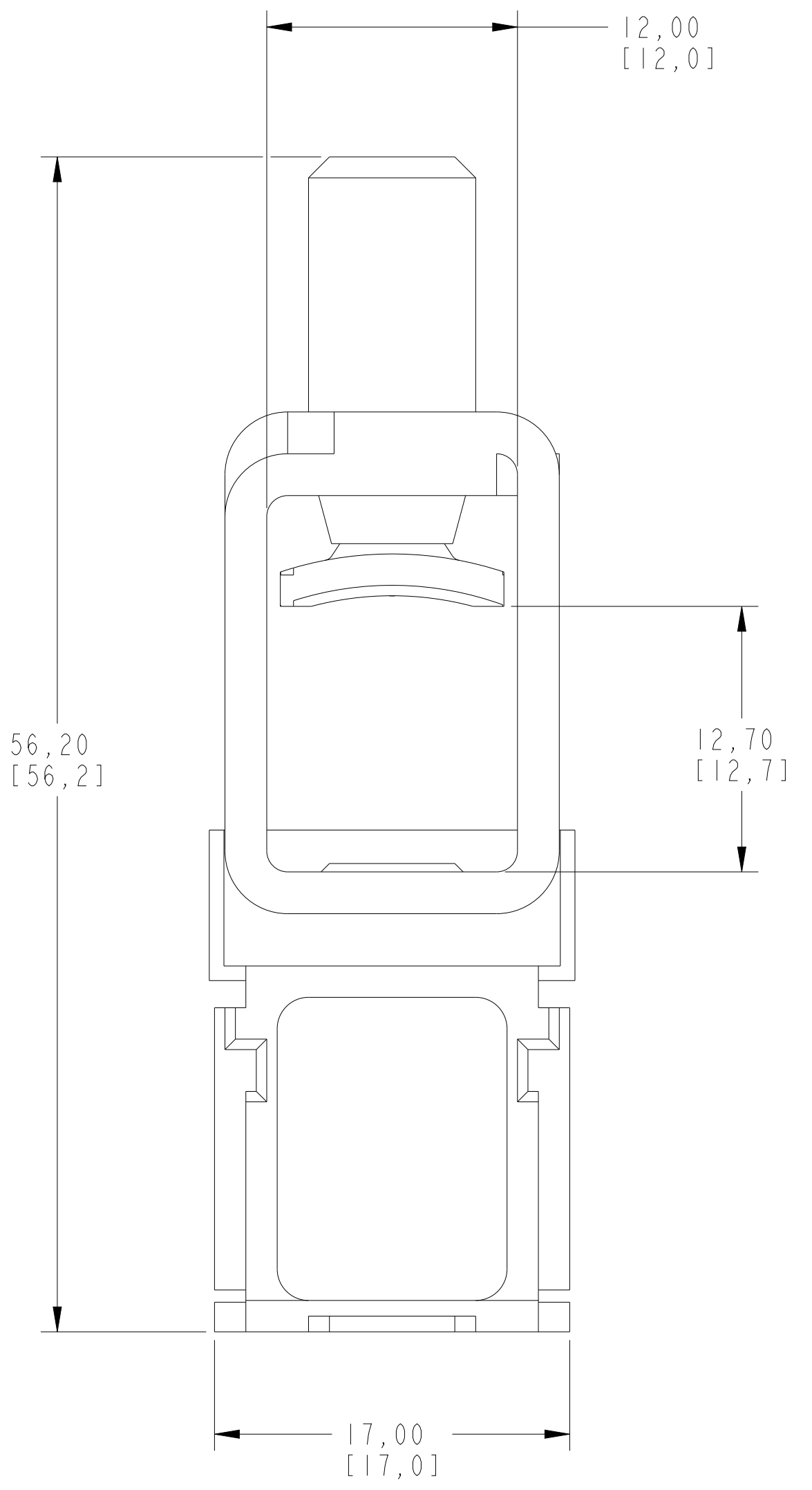
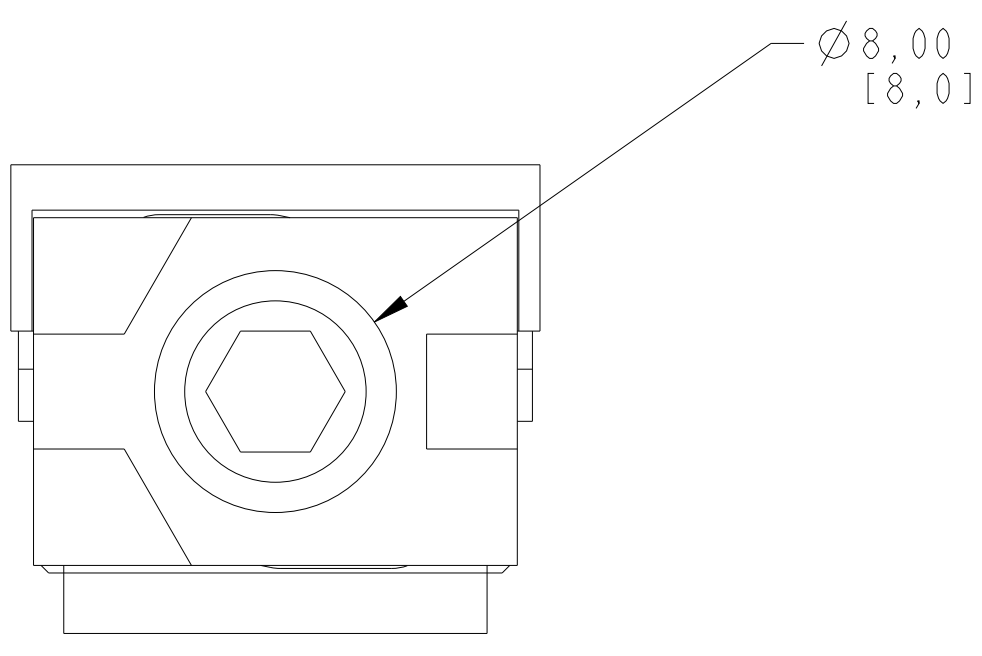


1 2 3 4 5 6 7 8

A
B
C
D
E
F
G
H



ISOMETRIC VIEW

NOTES:
1. DIMENSIONS SHOWN ARE REFERENCE ONLY.
NOT INTENDED FOR MANUFACTURING PURPOSES.
2. DIMENSIONS IN BRACKETS ARE IN MILLIMETERS.

NOTE :
USED IN FRAMES:
1. 140G-G-3P CB
2. 140G-G-4P CB

TERMINAL FOR COPPER-ALUMINUM CABLES CuAl
SCALE 4:1

		<small>CONFIDENTIAL AND PROPRIETARY INFORMATION THIS DOCUMENT CONTAINS CONFIDENTIAL AND PROPRIETARY INFORMATION OF ROCKWELL AUTOMATION, INC. AND MAY NOT BE USED, COPIED OR DISCLOSED TO OTHERS, EXCEPT WITH THE AUTHORIZED WRITTEN PERMISSION OF ROCKWELL AUTOMATION, INC.</small>	
		Sheet 1 Of 1	
<small>DESCRIPTION</small> 140G-G FRAME, 3 & 4 POLE CuAl TERMINAL LUG	<small>Size</small> D1R	D 10000973969 00	
	<small>Drawn by:</small> KWAGH2	<small>Date:</small> JAN-27-2014	