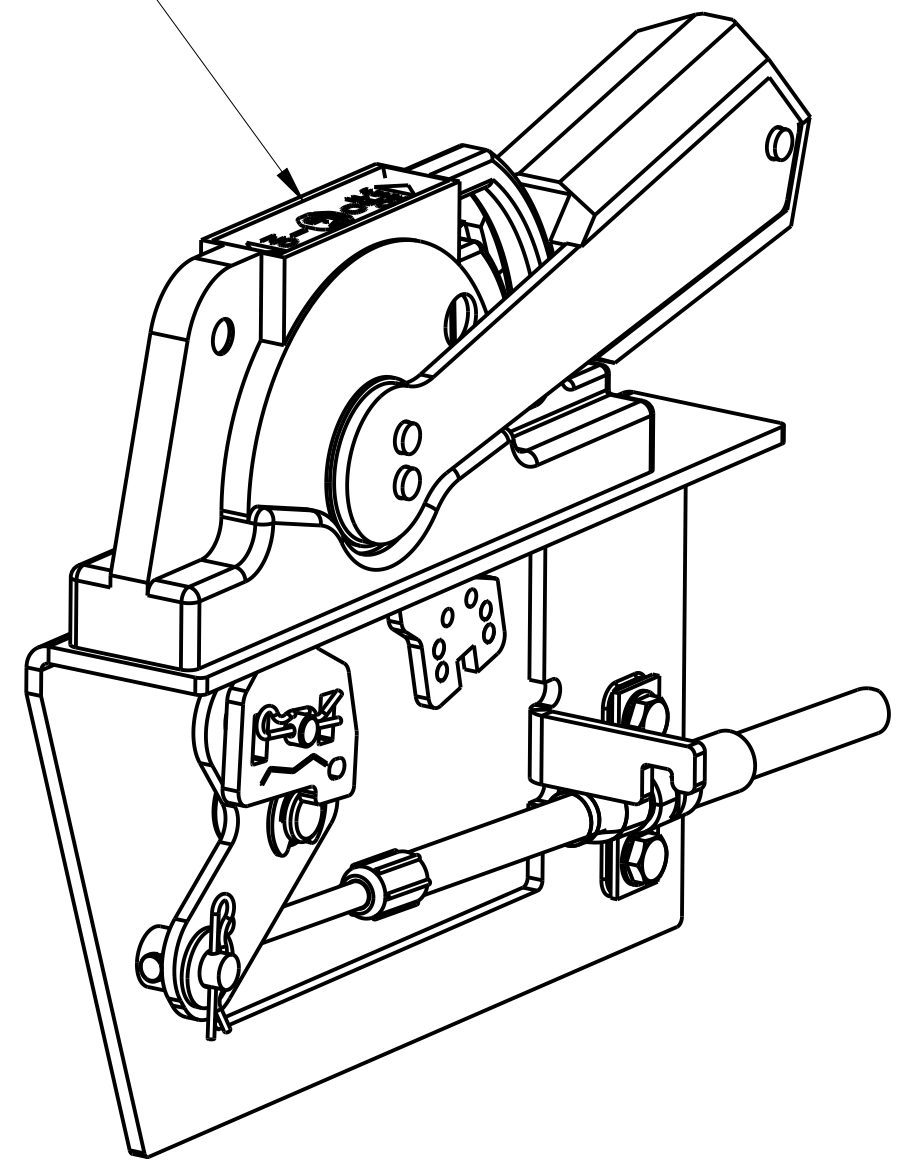
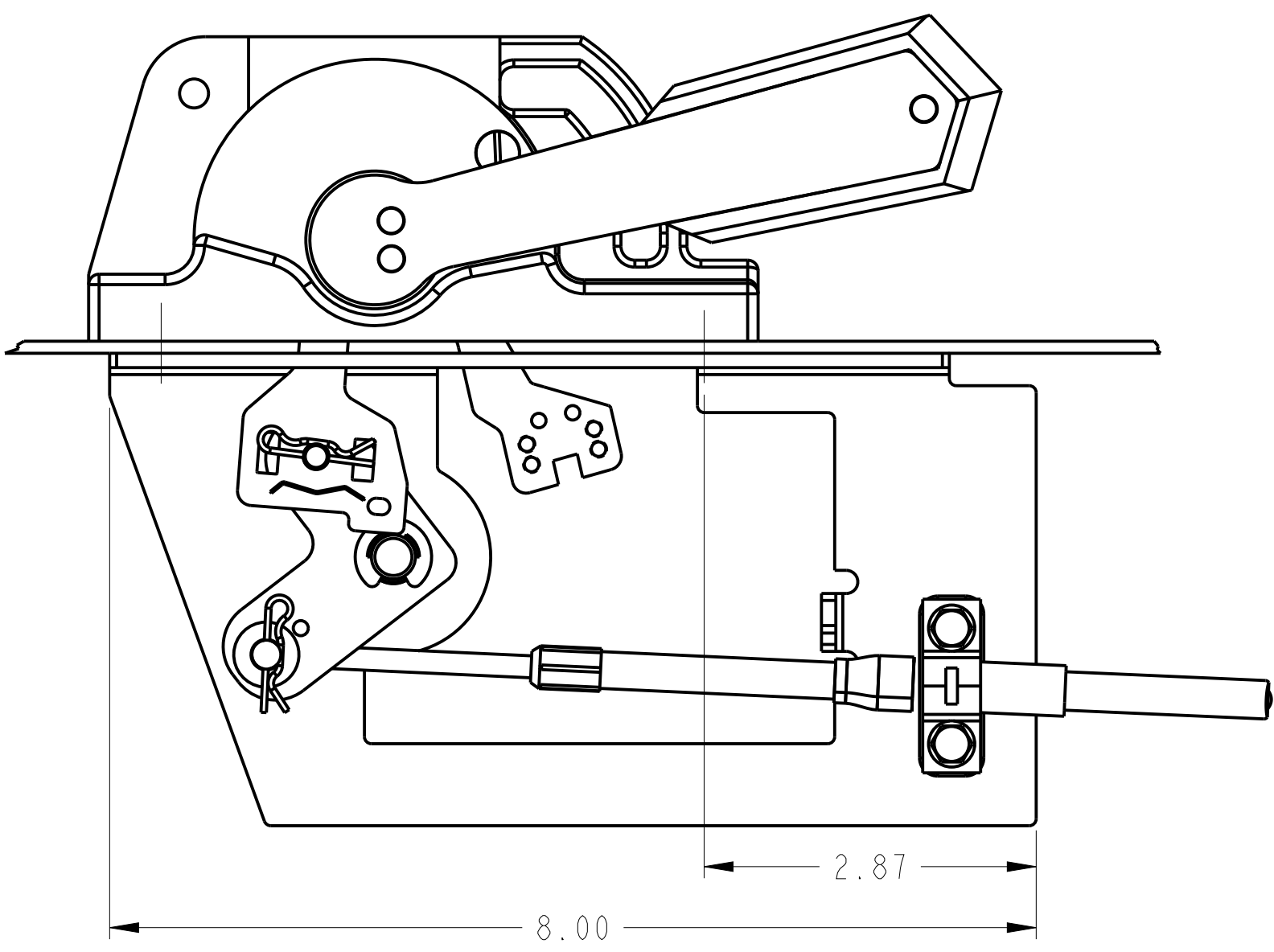
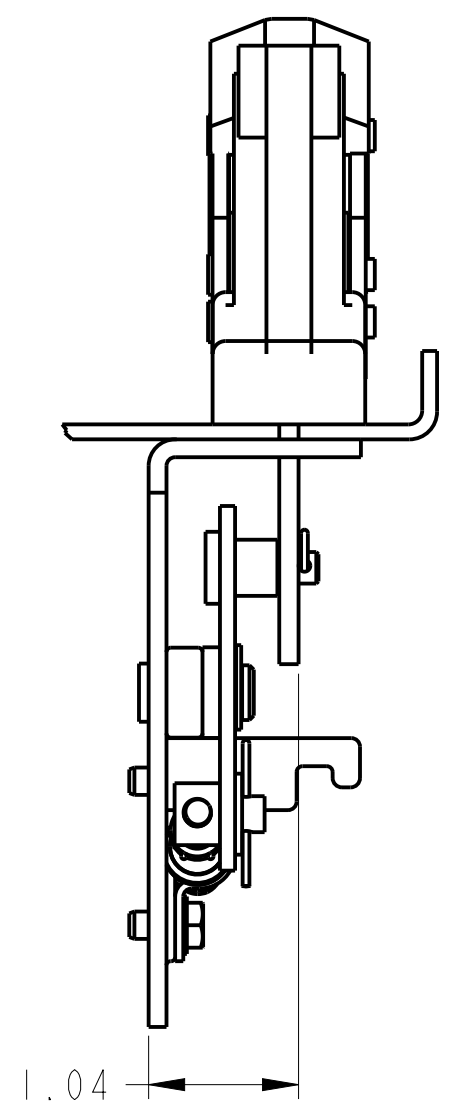


1 2 3 4 5 6 7 8

A  
B  
C  
D  
E  
F  
G  
H

HANDLE SHOWN BUT NOT INCLUDED WITH HANDLE SUPPORT BRACKET MECHANISM



**Rockwell Automation**

CONFIDENTIAL AND PROPRIETARY INFORMATION. THIS DOCUMENT CONTAINS CONFIDENTIAL AND PROPRIETARY INFORMATION OF ROCKWELL AUTOMATION, INC. AND MAY NOT BE USED, COPIED OR DISCLOSED TO OTHERS, EXCEPT WITH THE AUTHORIZED WRITTEN PERMISSION OF ROCKWELL AUTOMATION, INC.

1494U, 30-100 AMP CABLE HANDLE DIM DWG

Sheet 1 Of 1

Drawn by: LEQUENTI

Date: JUL-20-2014

Size		Ver
<b>B</b>	<b>10001238645</b>	<b>00</b>

10001238644.ASM