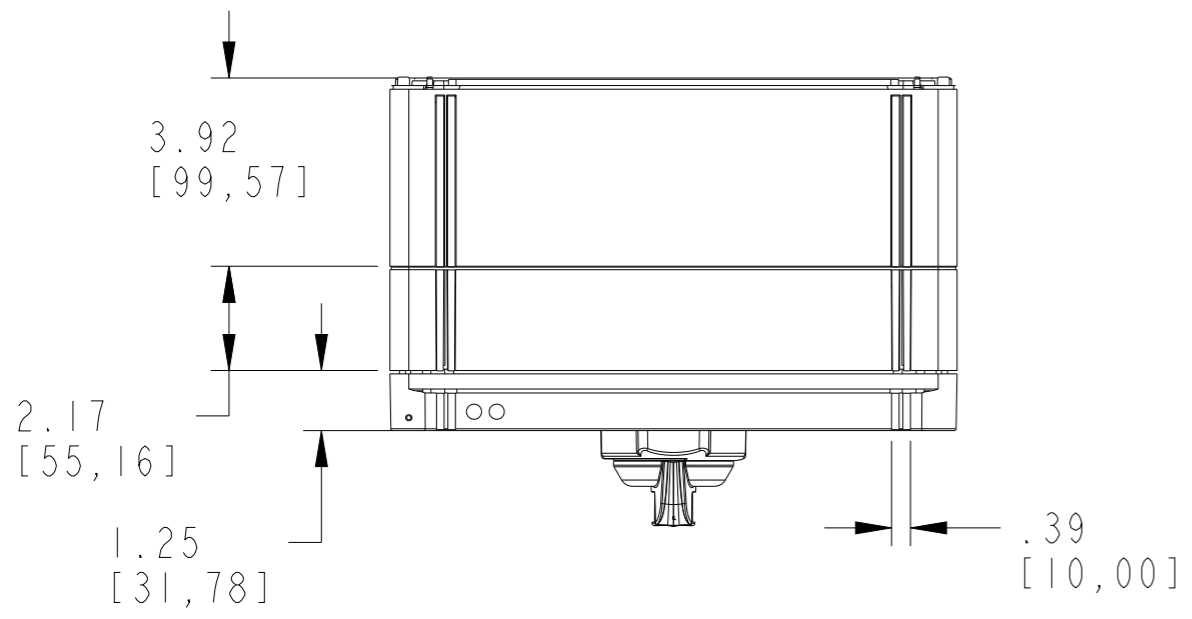


- NOTES:
1. DIMENSIONS SHOWN ARE FOR REFERENCE ONLY. NOT INTENDED FOR MANUFACTURING PURPOSES.
  2. DIMENSIONS IN BRACKETS ARE IN MILLIMETERS.



CAD MODEL 10001639769	
ENCLOSURE TYPE & MATERIAL	CATALOG NUMBERS
194E-KA* = NEMA 4/4X [IP66] PLASTIC	194E-FA80*, 194E-FA00*
194E-KAX* = NEMA 4/4X [IP66] PLASTIC	194E-FA16X*-6, 194E-FA20X8-6, 194E-FA32X*-6, 194E-FA40X*-6, 194E-FA63X*-6

		CONFIDENTIAL AND PROPRIETARY INFORMATION. THIS DOCUMENT CONTAINS CONFIDENTIAL AND PROPRIETARY INFORMATION OF ROCKWELL AUTOMATION, INC. AND MAY NOT BE USED, COPIED OR DISCLOSED TO OTHERS, EXCEPT WITH THE AUTHORIZED WRITTEN PERMISSION OF ROCKWELL AUTOMATION, INC.			
		DATE:	SHEET 1 OF 1		VER
DESCRIPTION	<b>CUSTOMER OUTLINE DRAWING</b> <b>T198E-AS1287D WITH HANDLE ASSEMBLY</b> <b>ENCLOSURE TYPE 194E-KA &amp; 194E-KAX</b>		SIZE	DIR	VER
	CREATED BY: M. GUELMY CHANGED BY: LEQUENTIN	A3	10001639251	01	