

DETAIL A

IP 21/UL TYPE 1

IP 54/UL TYPE 12

NOTES:

- 1. ENCLOSURE SYSTEM IS 2000MM TALL 600MM DEEP
- 2. DRIVE SIZE SHOWN:

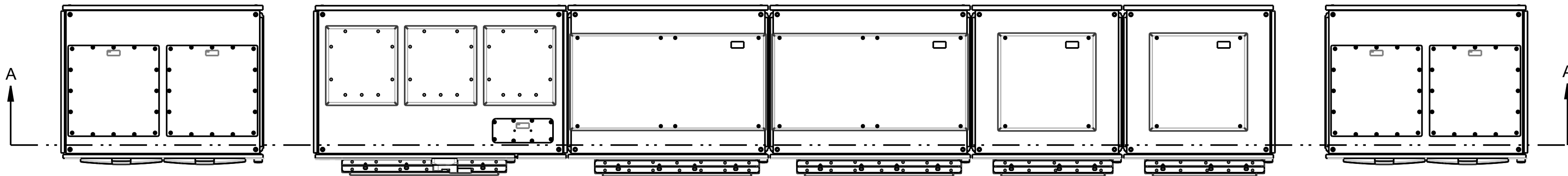
INPUT VOLTAGE	NORMAL DUTY RATING
400	1650 kW
480	2400 HP
600	2000 HP
690	1800 kW

DIMENSIONS IN MM  
UNLESS OTHERWISE SPECIFIED:  
DIMENSIONS & TOLERANCING IN ACCORDANCE  
WITH ASME Y14.5-2009  
ALL UNTOLERANCED DIMENSIONS ARE BASIC  
AND CONTROLLED BY THE CAD MODEL AND  
CONTROLLED SIMULTANEOUSLY.

		CONFIDENTIAL AND PROPRIETARY INFORMATION THIS DOCUMENT CONTAINS CONFIDENTIAL AND PROPRIETARY INFORMATION OF ROCKWELL AUTOMATION, INC. AND MAY NOT BE USED, COPIED OR DISCLOSED TO OTHERS, EXCEPT WITH THE AUTHORIZED WRITTEN PERMISSION OF ROCKWELL AUTOMATION, INC.	
		Sheet 1 Of 2	
PF755 TR AFE DRIVES FRAME11 INSTALLATION SPECIFICATION		Size	Ver
Drawn by: AFTUAZON Date: NOV-03-2016		D	10002132684 01

1 2 3 4 5 6 7 8

A  
B  
C  
D  
E  
F  
G  
H



OPTIONAL POWER WIRE  
BAY TOP OR BOTTOM ENTRY

INPUT BAY  
1000MM  
(600/690V)

POWER BAY  
800MM

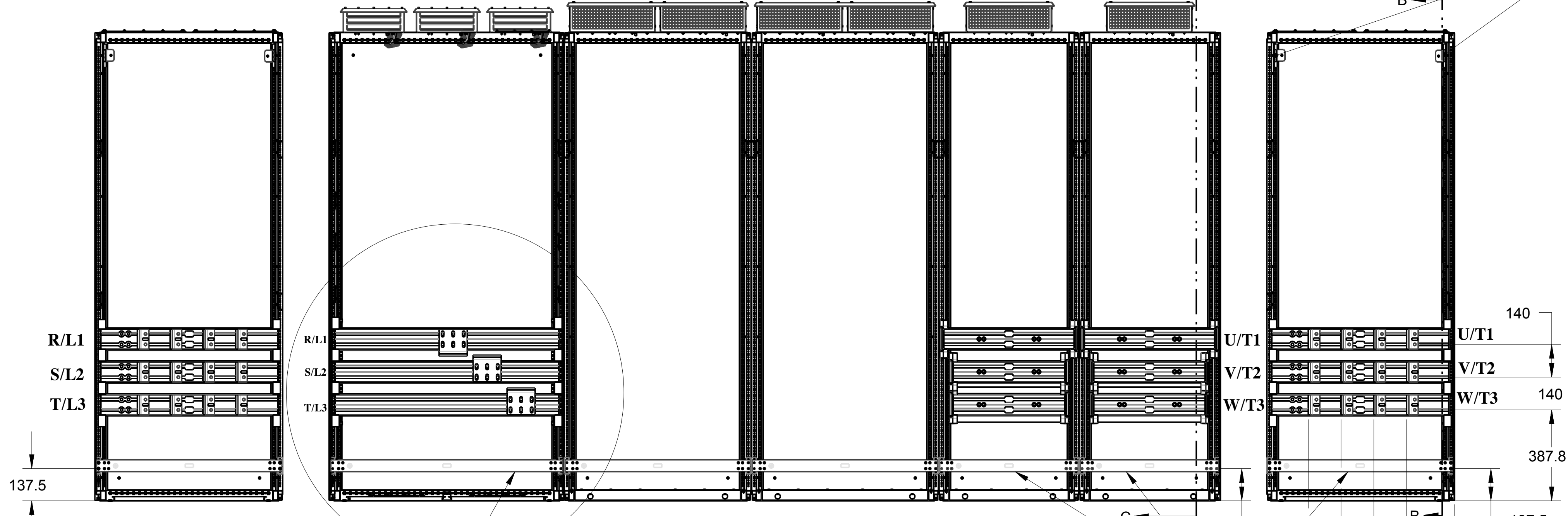
POWER BAY  
800MM

POWER BAY  
600MM

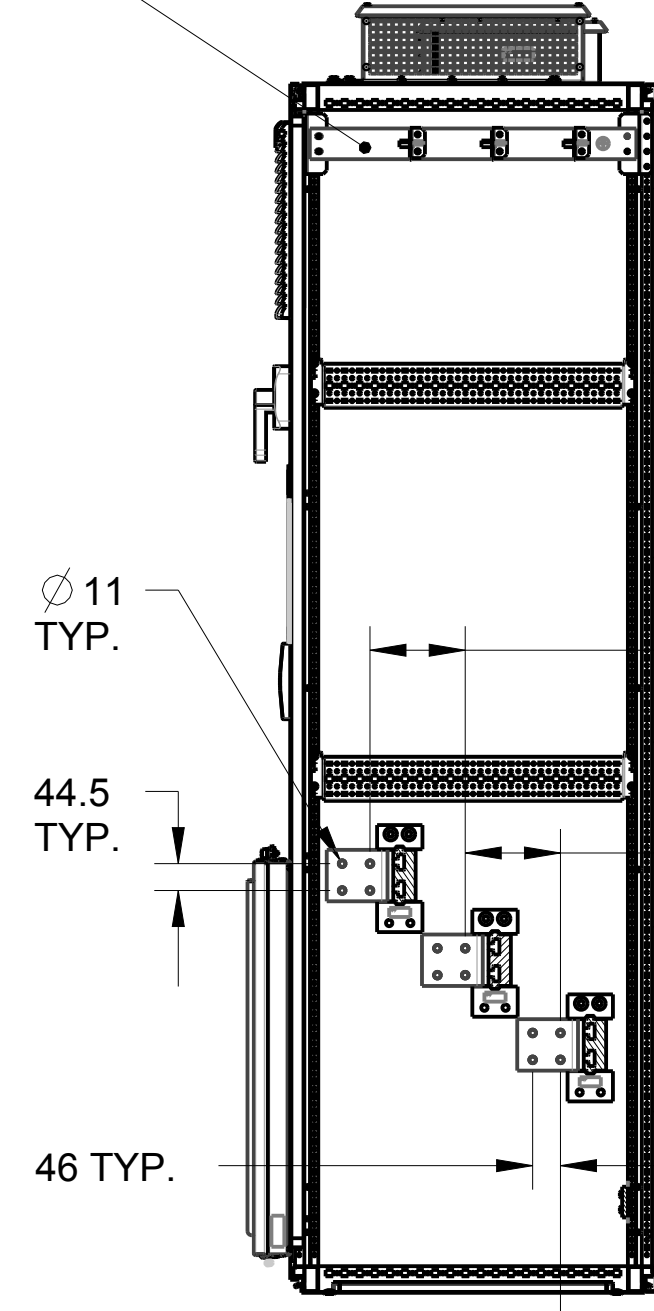
POWER BAY  
600MM

OPTIONAL POWER WIRE  
BAY TOP OR BOTTOM EXIT

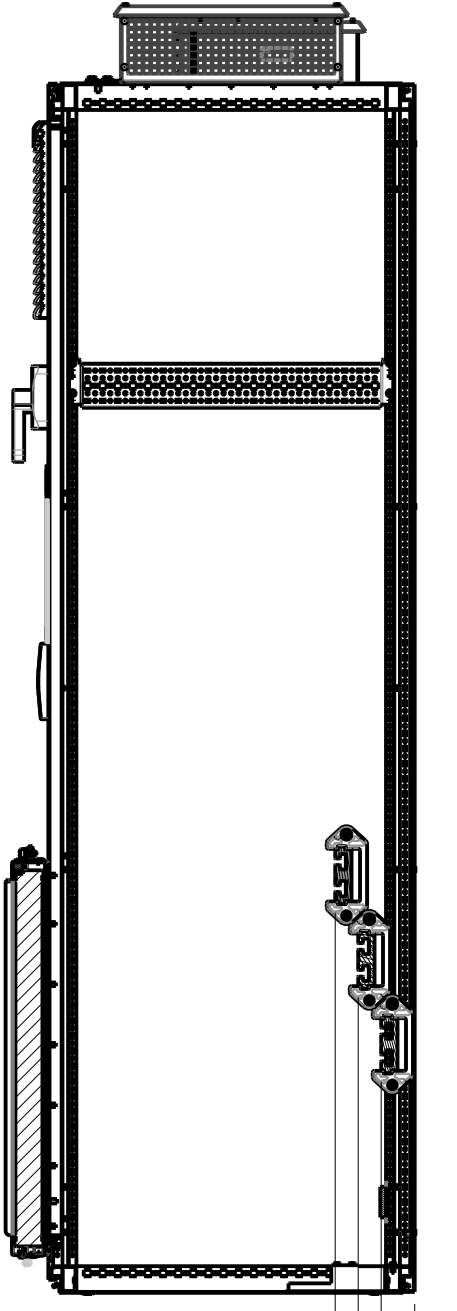
2X CUSTOMER  
OUTPUT PE



SECTION A-A



SECTION B-B



SECTION C-C

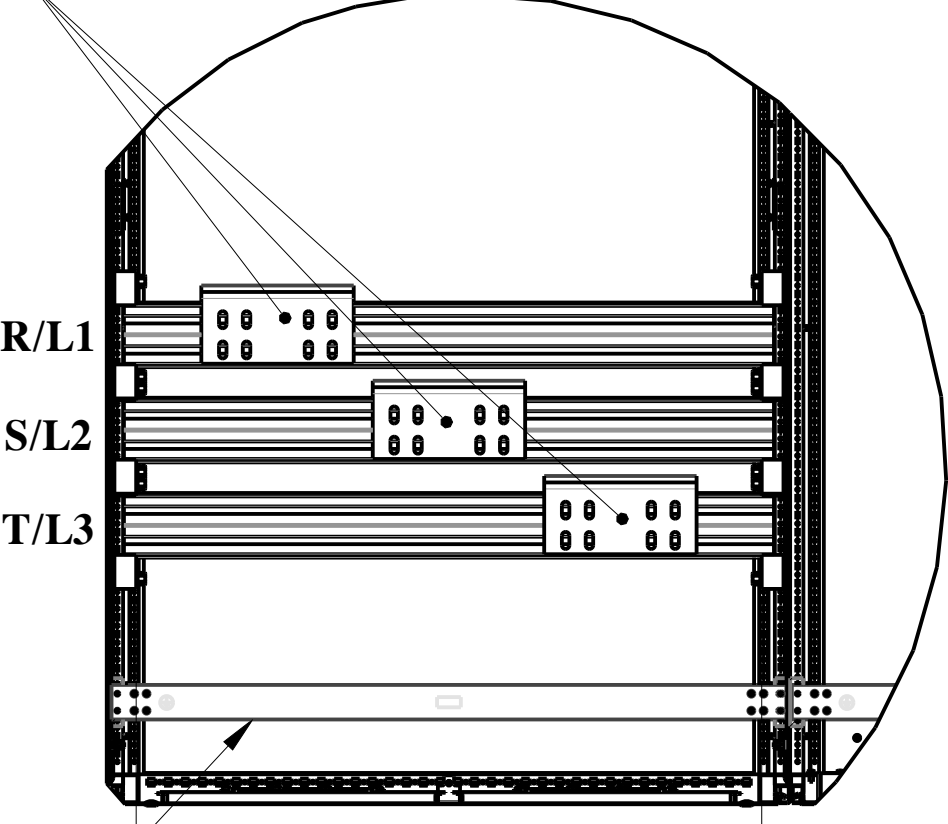
(TERMINAL POSITION  
CAN BE ADJUSTED)

SEE DETAIL B

CUSTOMER OUTPUT PE

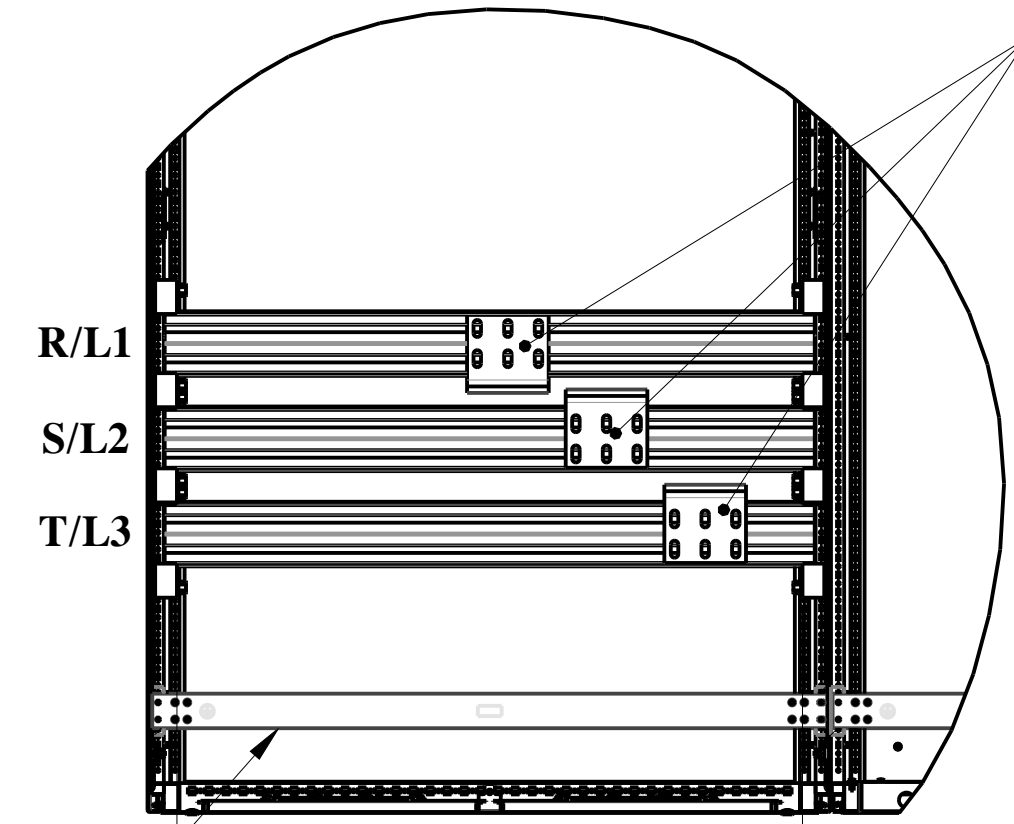
(TERMINAL POSITION  
CAN BE ADJUSTED)

NO CUSTOMER  
CONNECTIONS



DETAIL B  
INPUT BAY 1000MM  
(400/480V)

NO CUSTOMER  
CONNECTIONS



DETAIL B  
INPUT BAY 1000MM  
(600/690V)

NOTES:  
1. GROUND BUSBARS ARE 10MM THICK.

		<small>CONFIDENTIAL AND PROPRIETARY INFORMATION THIS DOCUMENT CONTAINS CONFIDENTIAL AND PROPRIETARY INFORMATION OF ROCKWELL AUTOMATION, INC. AND MAY NOT BE USED, COPIED OR DISCLOSED TO OTHERS, EXCEPT WITH THE AUTHORIZED WRITTEN PERMISSION OF ROCKWELL AUTOMATION, INC.</small>	
		Sheet 2 Of 2	
PF755 TR AFE DRIVES FRAME11 INSTALLATION SPECIFICATION		Size D	Ver 10002132684 01
Drawn by: AFTUAZON	Date: NOV-03-2016		