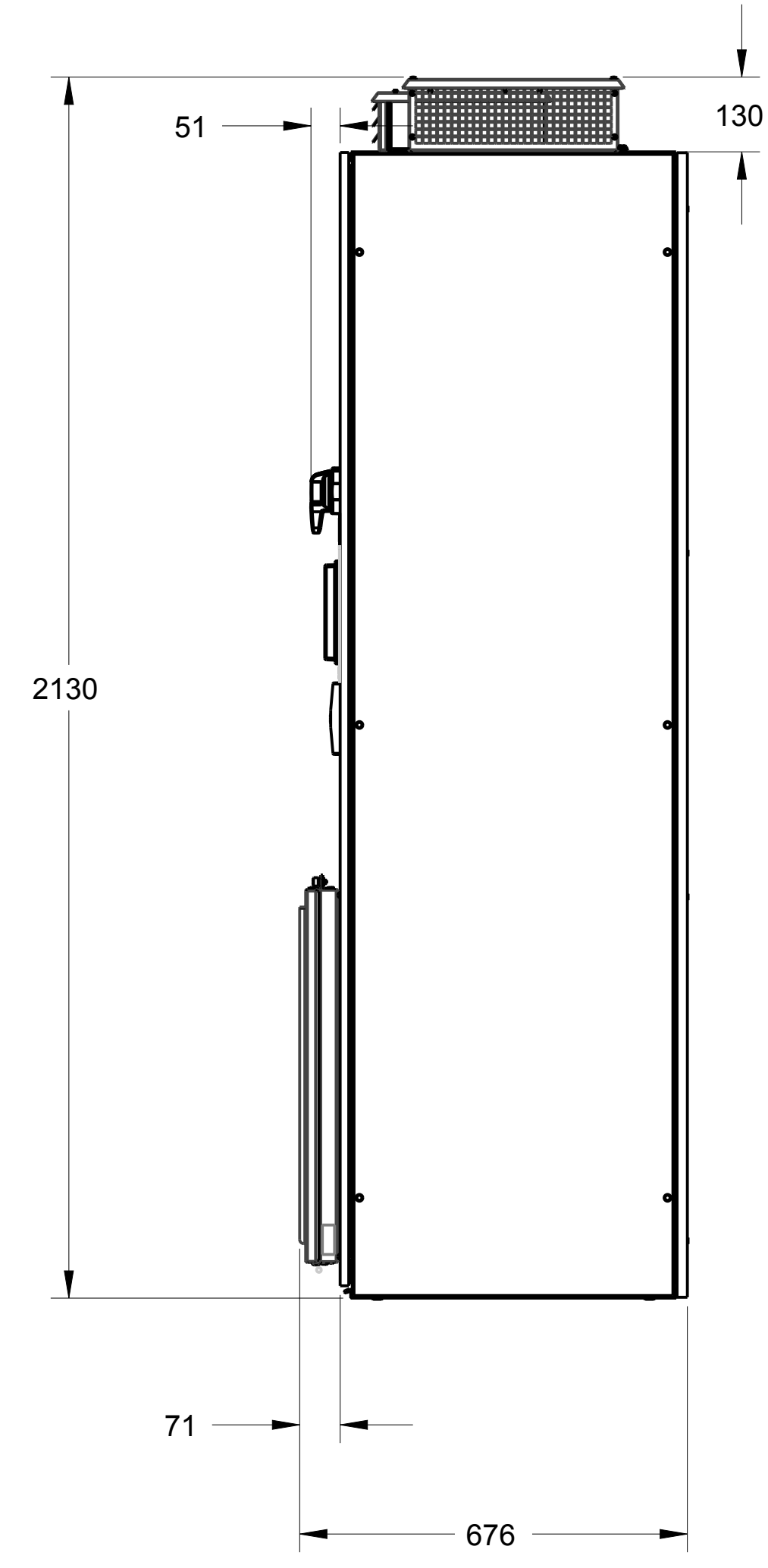
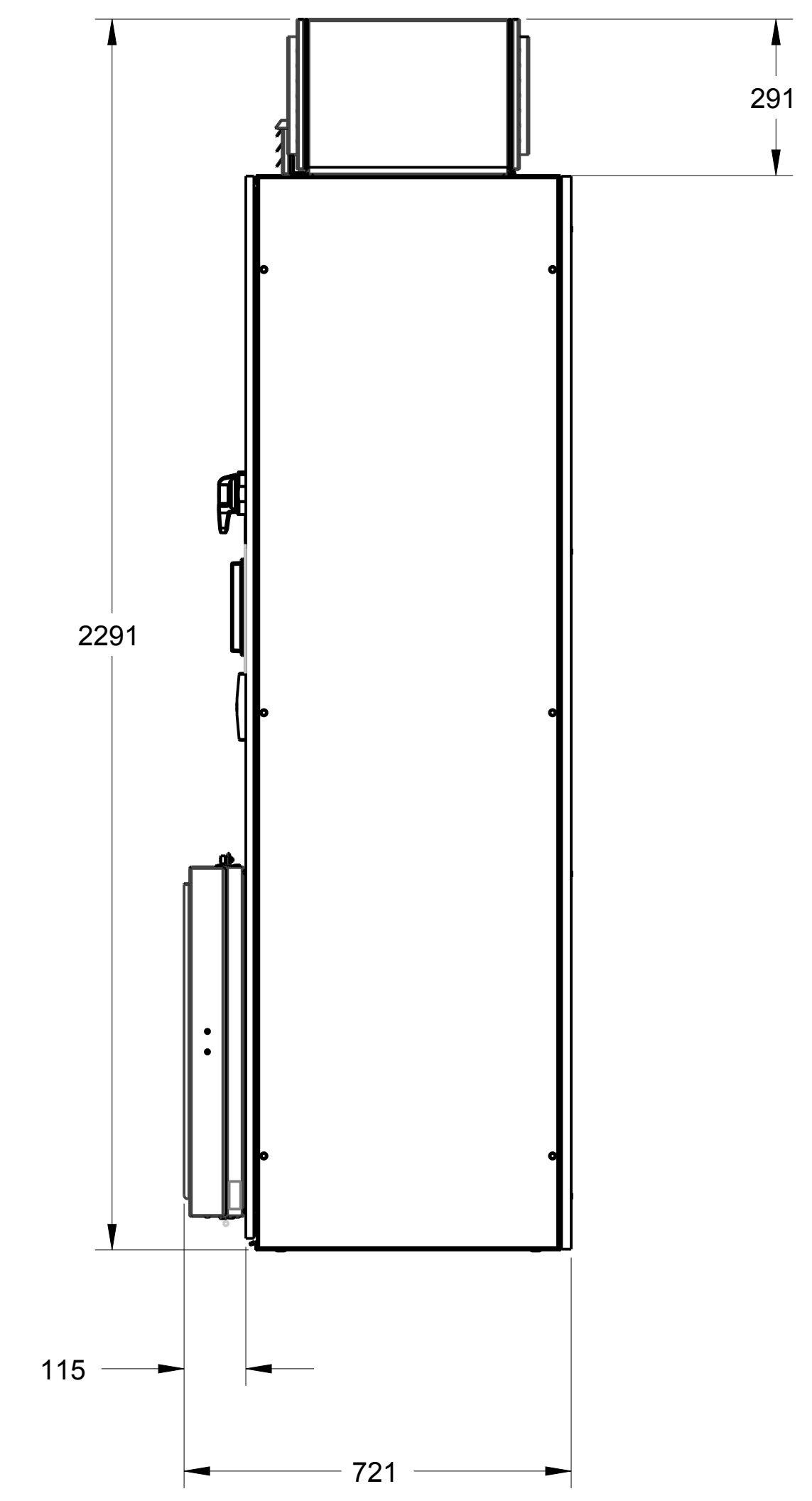


IP 21/UL TYPE 1



IP54/UL TYPE 12



NOTES:

- 1. ENCLOSURE SYSTEM IS 2000MM TALL 600MM DEEP
- 2. DRIVE SIZE SHOWN:

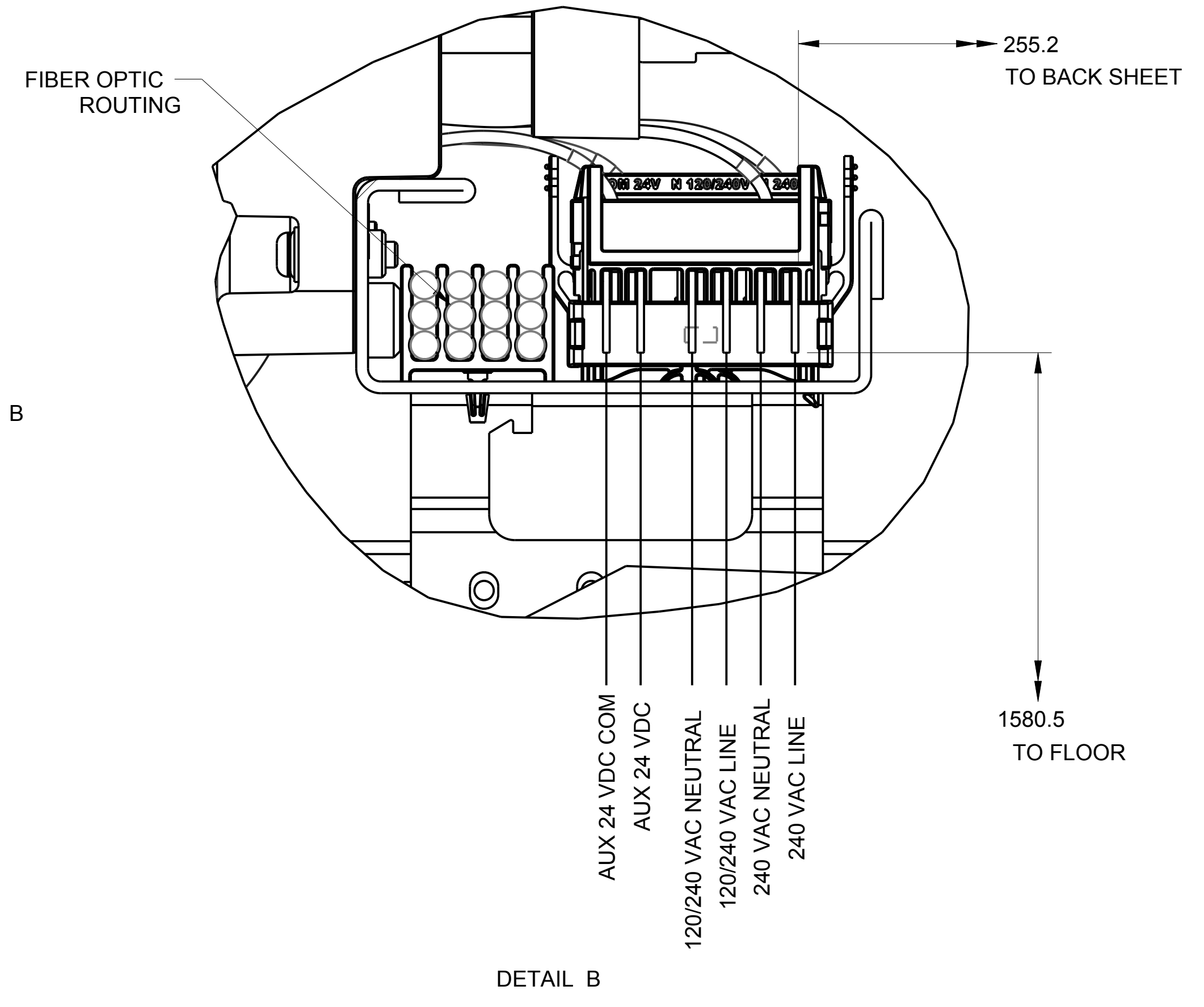
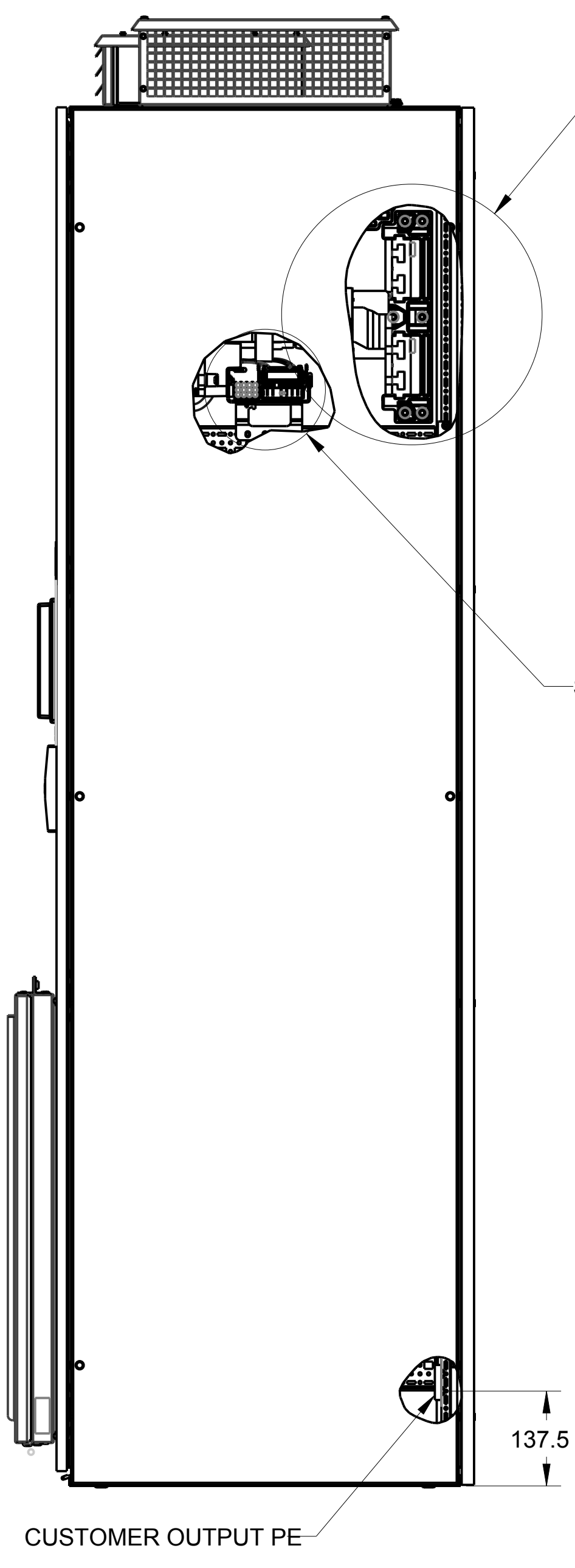
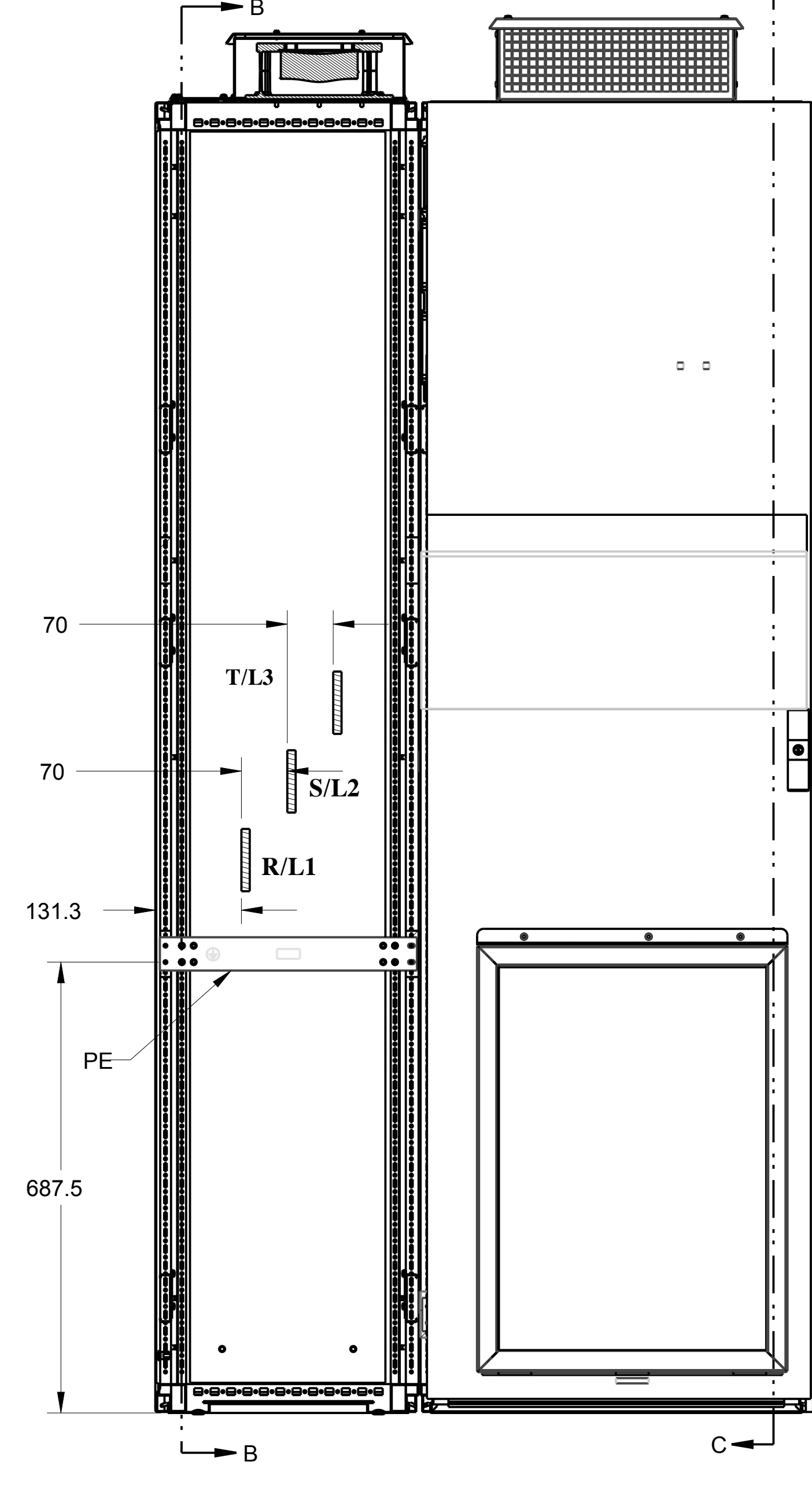
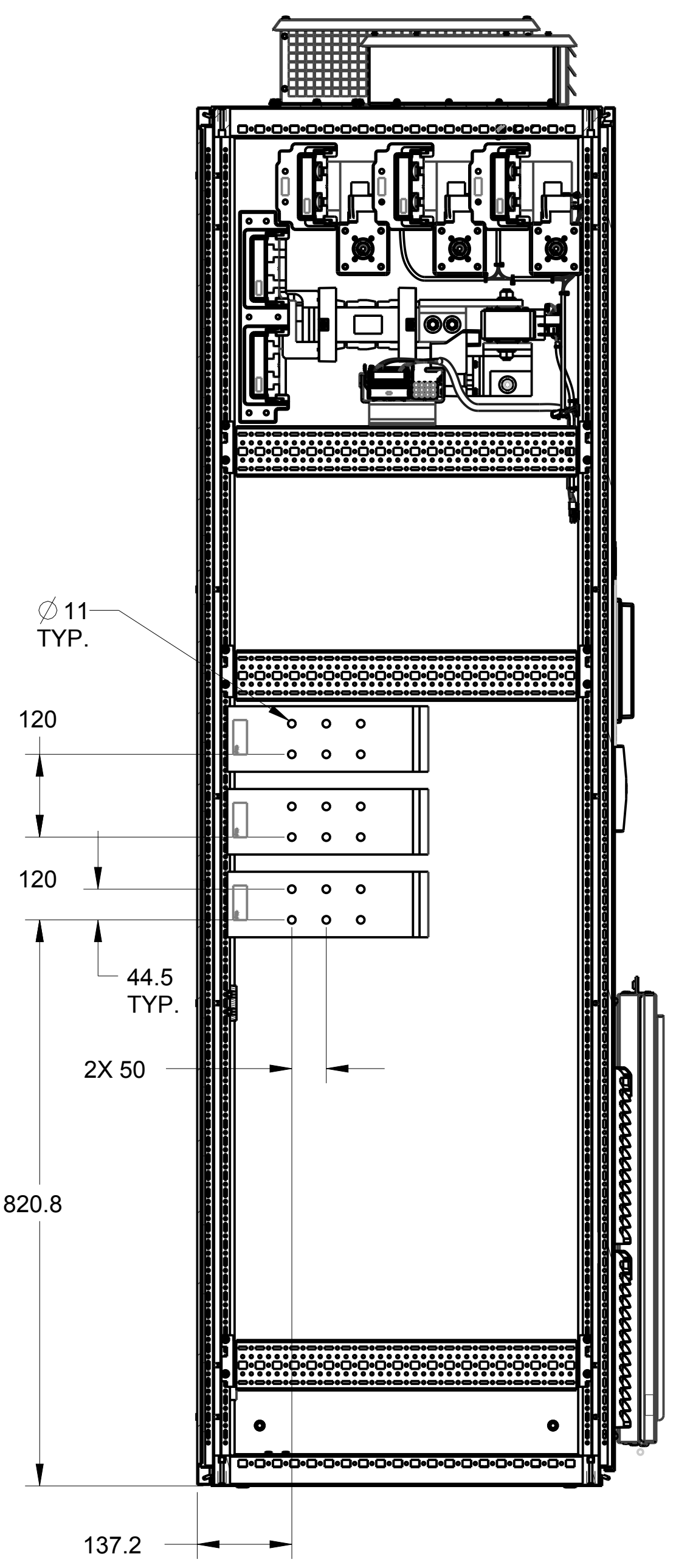
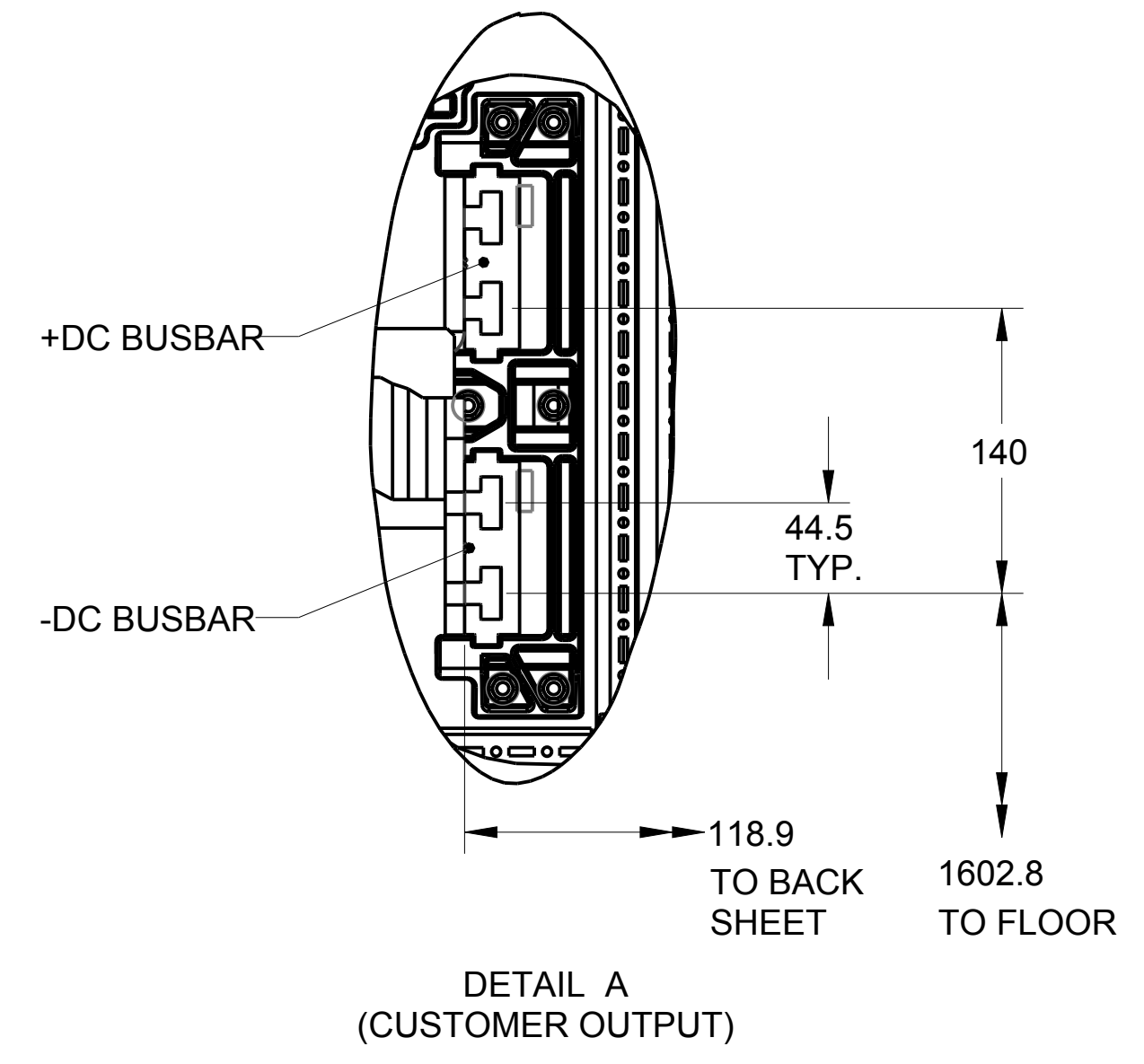
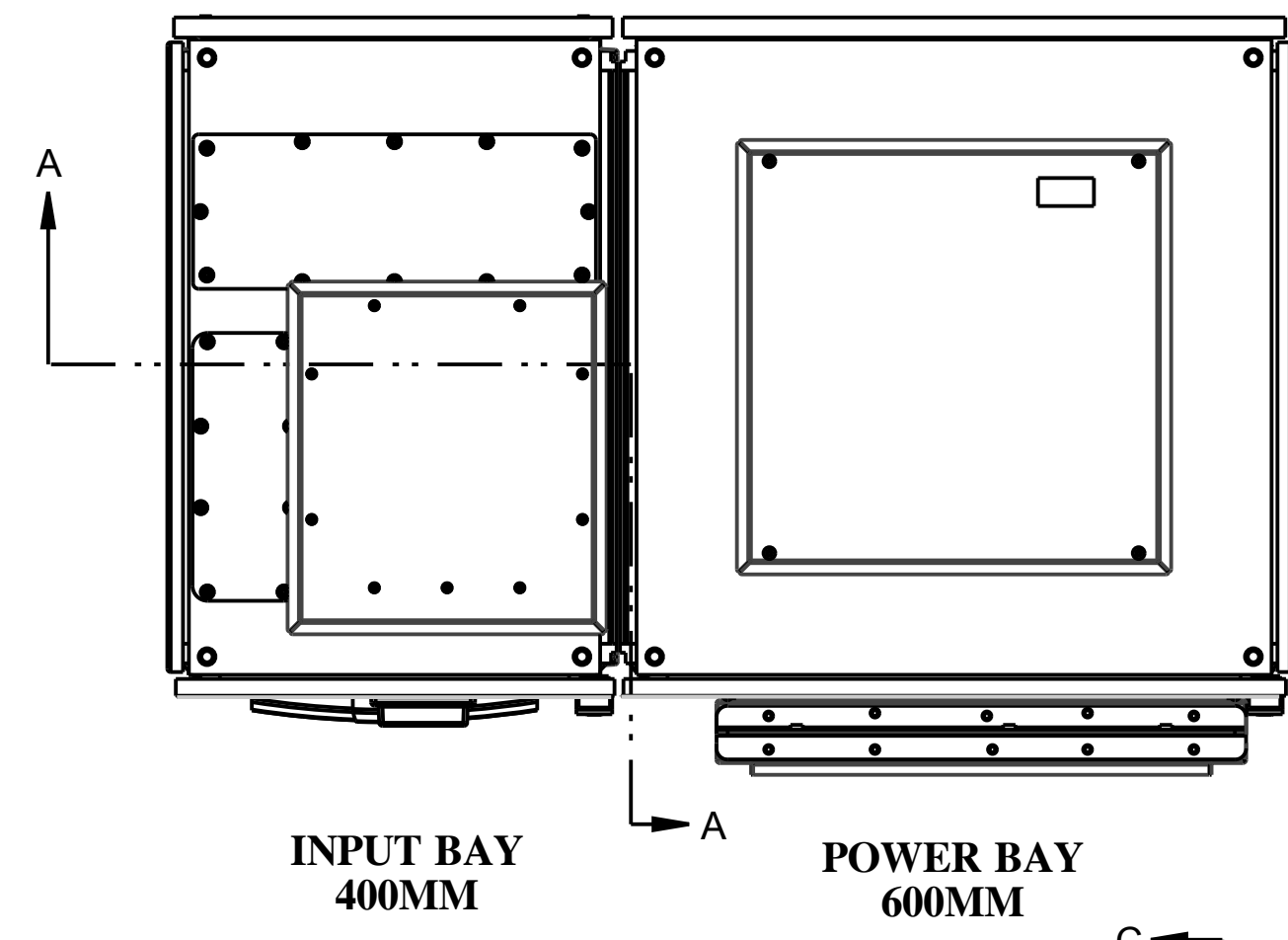
INPUT VOLTAGE	NORMAL DUTY RATING
400	188...479 kW
480	216...529 kW
600	217...487 kW
690	221...518 kW

DIMENSIONS IN MM
UNLESS OTHERWISE SPECIFIED:
DIMENSIONS & TOLERANCING IN ACCORDANCE
WITH ASME Y14.5-2009
ALL UNTOLERANCED DIMENSIONS ARE BASIC
AND CONTROLLED BY THE CAD MODEL AND
CONTROLLED SIMULTANEOUSLY.

		CONFIDENTIAL AND PROPRIETARY INFORMATION THIS DOCUMENT CONTAINS CONFIDENTIAL AND PROPRIETARY INFORMATION OF ROCKWELL AUTOMATION, INC. AND MAY NOT BE USED, COPIED OR DISCLOSED TO OTHERS, EXCEPT WITH THE AUTHORIZED WRITTEN PERMISSION OF ROCKWELL AUTOMATION, INC.	
		Sheet 1 Of 2	
PF755TM COMMON BUS SUPPLIES FRAME8 INSTALLATION SPECIFICATION		Size	Ver
Drawn by: AFTUAZON Date: NOV-08-2016		D	10002135409 01

1 2 3 4 5 6 7 8

A
B
C
D
E
F
G
H



NOTES:
1. GROUND BUSBARS ARE 10MM THICK.

		CONFIDENTIAL AND PROPRIETARY INFORMATION THIS DOCUMENT CONTAINS CONFIDENTIAL AND PROPRIETARY INFORMATION OF ROCKWELL AUTOMATION, INC. AND MAY NOT BE USED, COPIED OR DISCLOSED TO OTHERS, EXCEPT WITH THE AUTHORIZED WRITTEN PERMISSION OF ROCKWELL AUTOMATION, INC.	
		Sheet 2 Of 2	
PF755TM COMMON BUS SUPPLIES FRAME8 INSTALLATION SPECIFICATION		Size	Ver
Drawn by: AFTUAZON Date: NOV-08-2016		D	10002135409 01