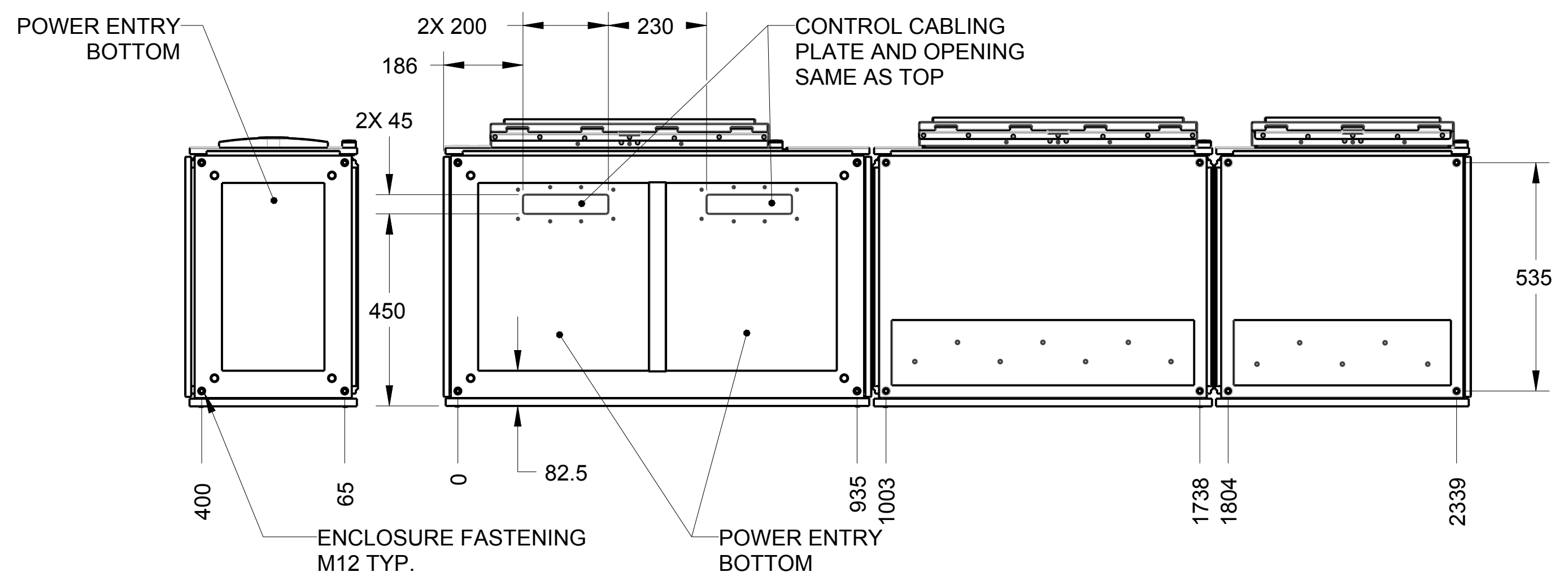
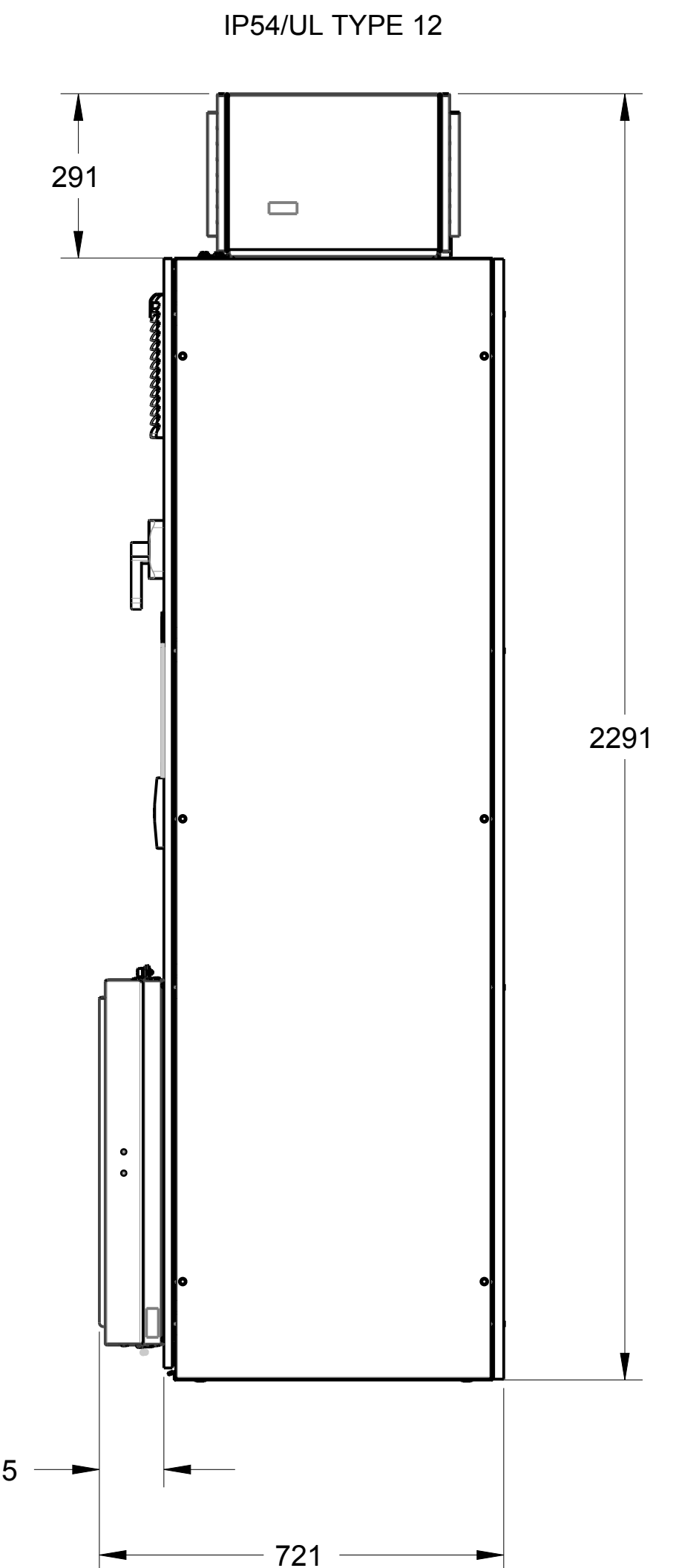
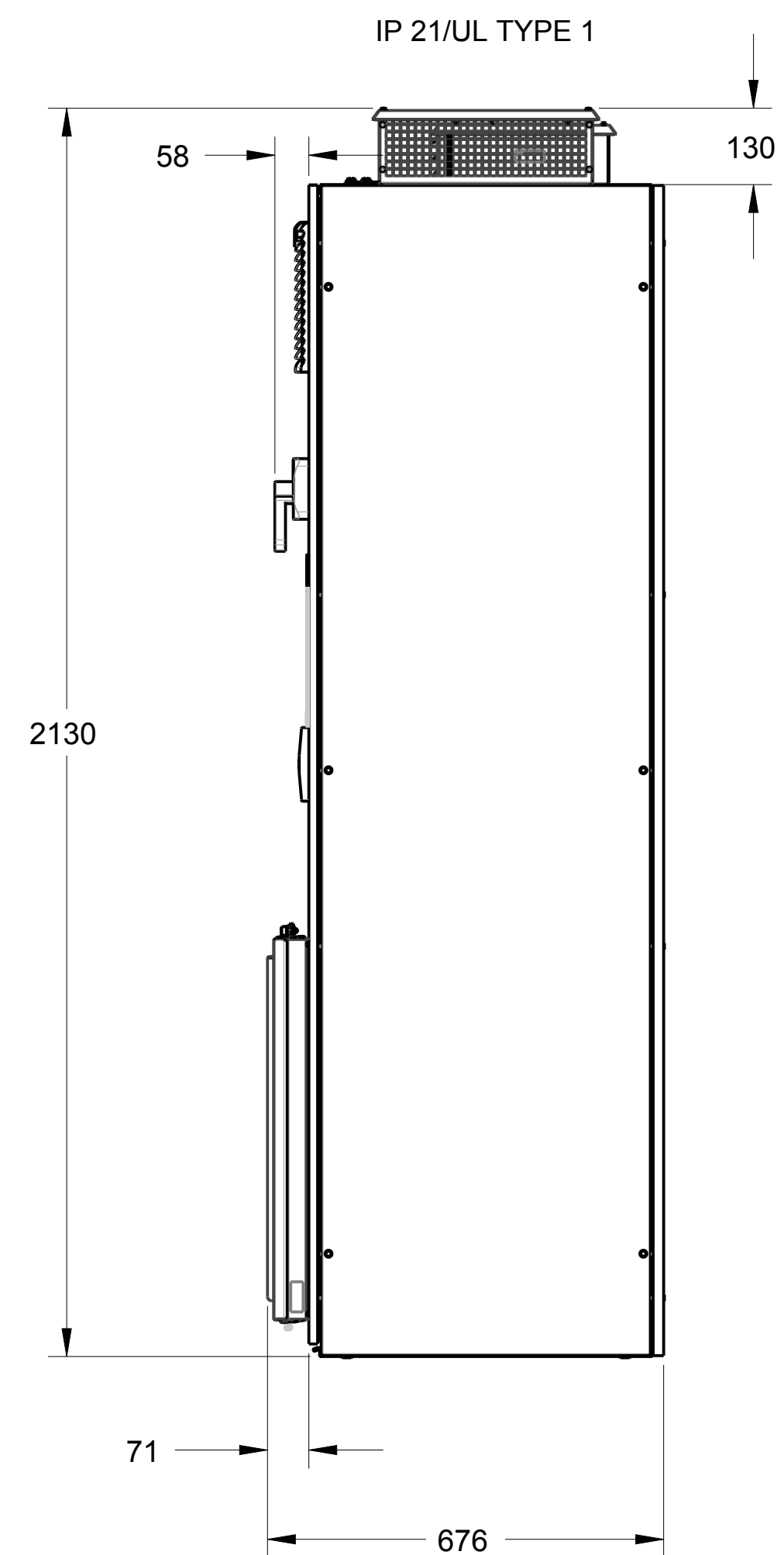
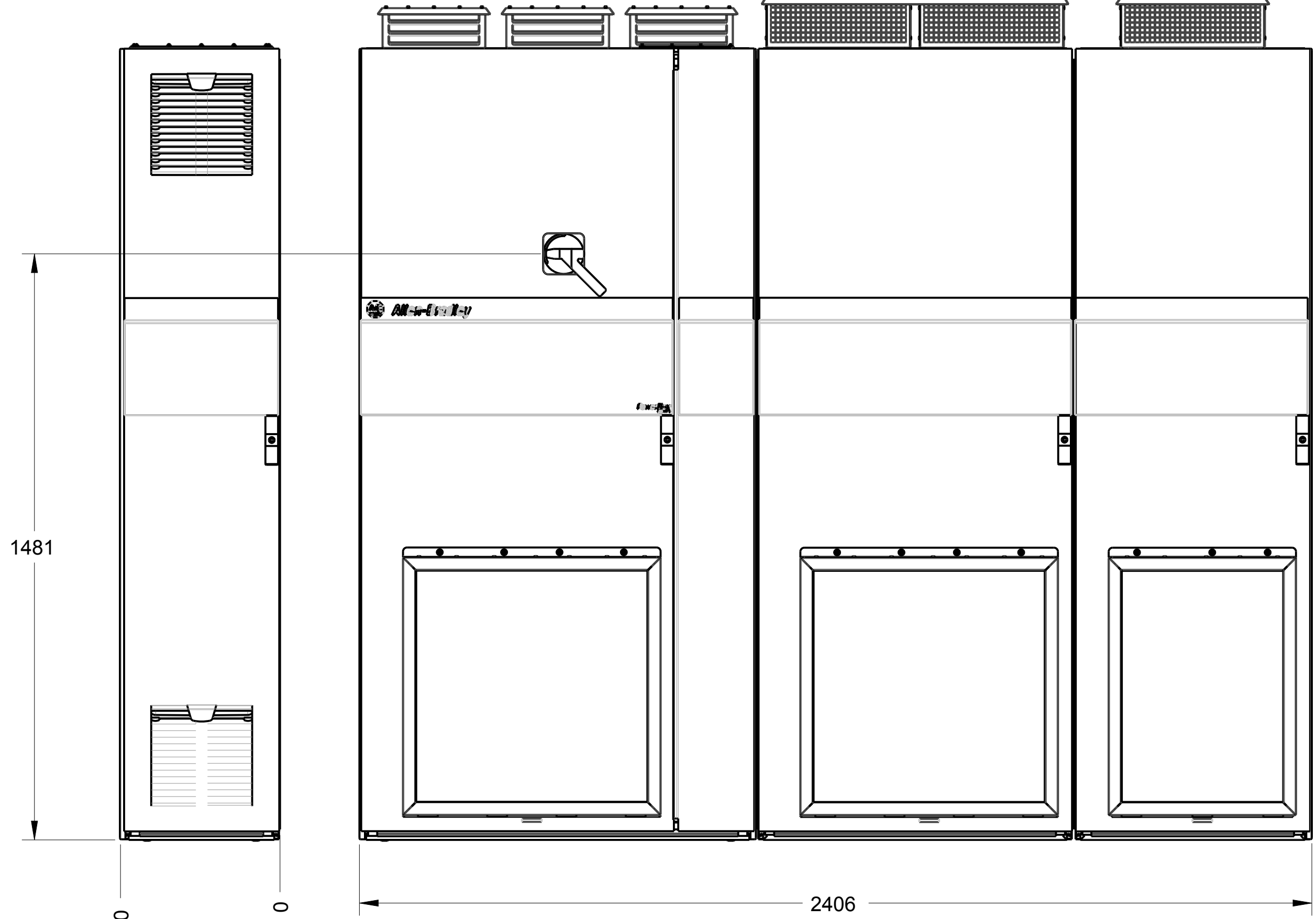


OPTIONAL POWER WIRE BAY TOP OR BOTTOM ENTRY
 INPUT BAY 1000 MM
 POWER BAY 800MM
 POWER BAY 600MM



- NOTES:
- ENCLOSURE SYSTEM IS 2000MM TALL 600MM DEEP.
 - DRIVE SIZE SHOWN:

INPUT VOLTAGE	NORMAL DUTY RATING
400	984...1342kW
480	1016...1483kW
600	935...1279kW
690	1057...1456kW

DIMENSIONS IN MM
 UNLESS OTHERWISE SPECIFIED:
 DIMENSIONS & TOLERANCING IN ACCORDANCE
 WITH ASME Y14.5-2009
 ALL UNTOLERANCED DIMENSIONS ARE BASIC
 AND CONTROLLED BY THE CAD MODEL AND
 CONTROLLED SIMULTANEOUSLY.

Rockwell Automation

PF755TM COMMON BUS SUPPLIES FRAME10
 INSTALLATION SPECIFICATION

Drawn by: AFTUAZON Date: NOV-08-2016

CONFIDENTIAL AND PROPRIETARY INFORMATION
 THIS DOCUMENT CONTAINS CONFIDENTIAL AND PROPRIETARY
 INFORMATION OF ROCKWELL AUTOMATION, INC. AND MAY
 NOT BE USED, COPIED OR DISCLOSED TO OTHERS, EXCEPT
 WITH THE AUTHORIZED WRITTEN PERMISSION OF ROCKWELL
 AUTOMATION, INC.

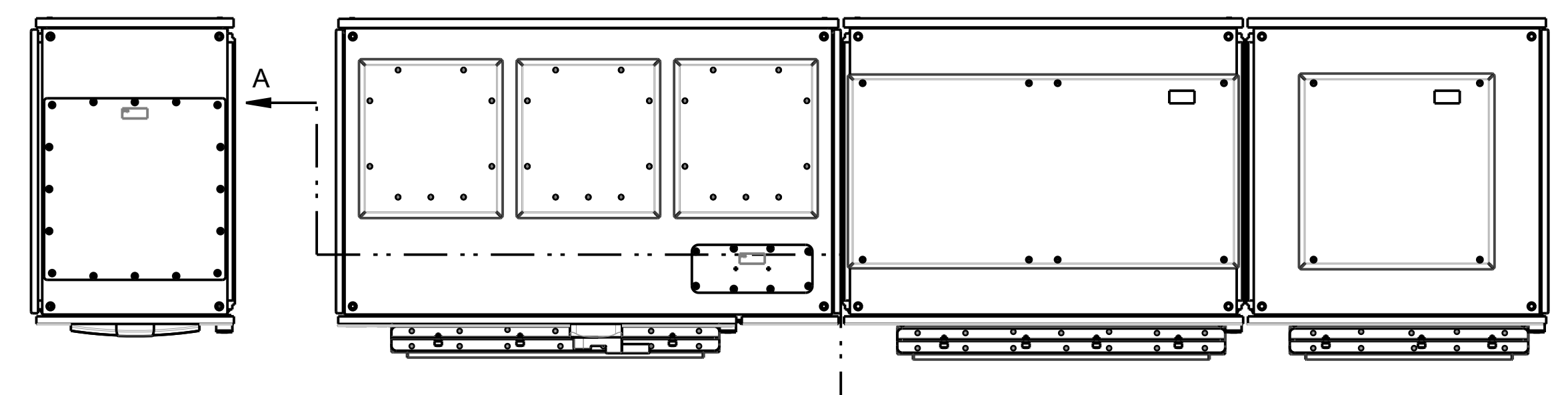
Sheet 1 Of 2

Size	Ver
D	01

10002163517

1 2 3 4 5 6 7 8

A
B
C
D
E
F
G
H

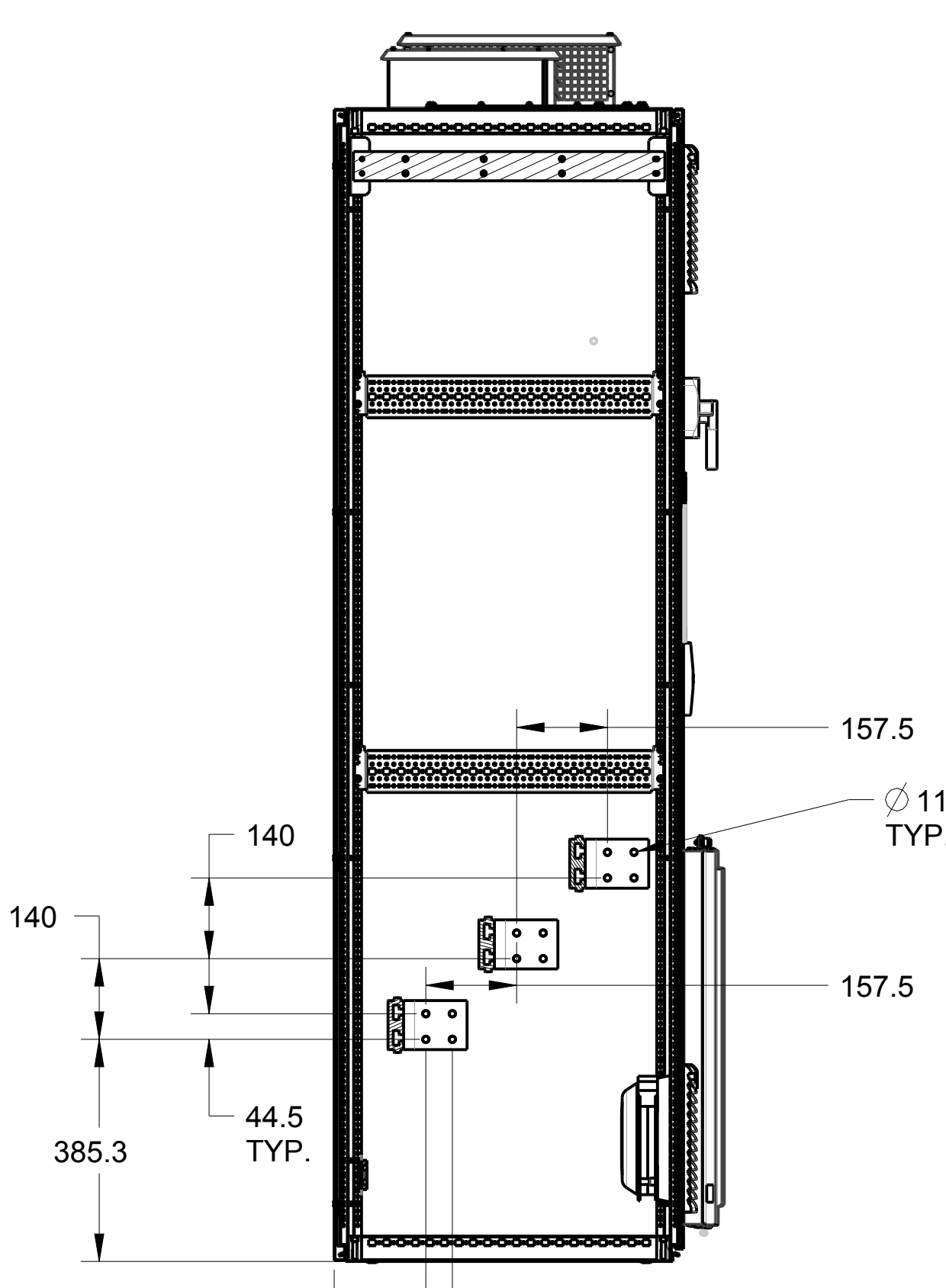


OPTIONAL POWER WIRE
BAY TOP OR BOTTOM ENTRY

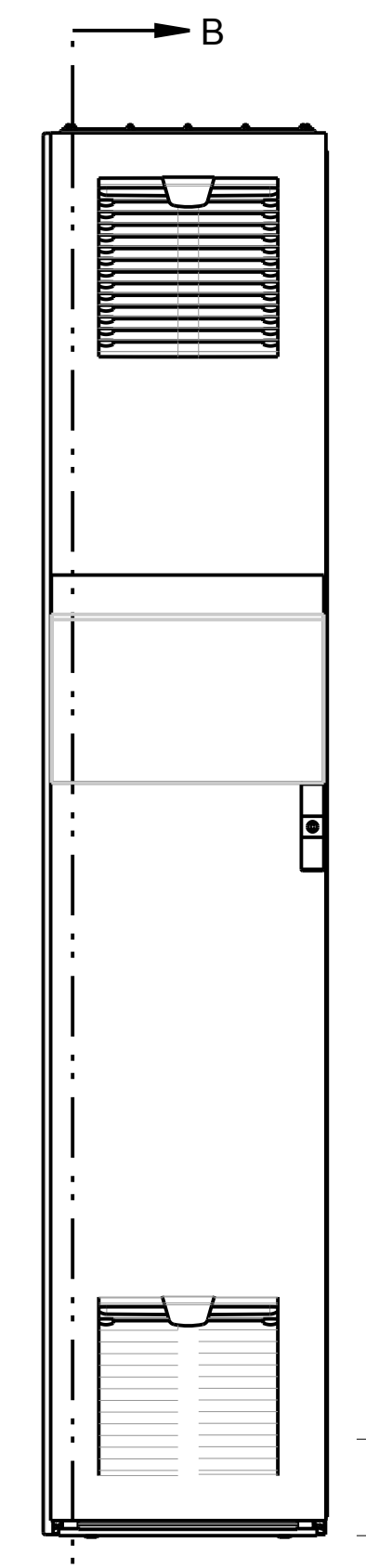
INPUT BAY
1000 MM

POWER BAY
800MM

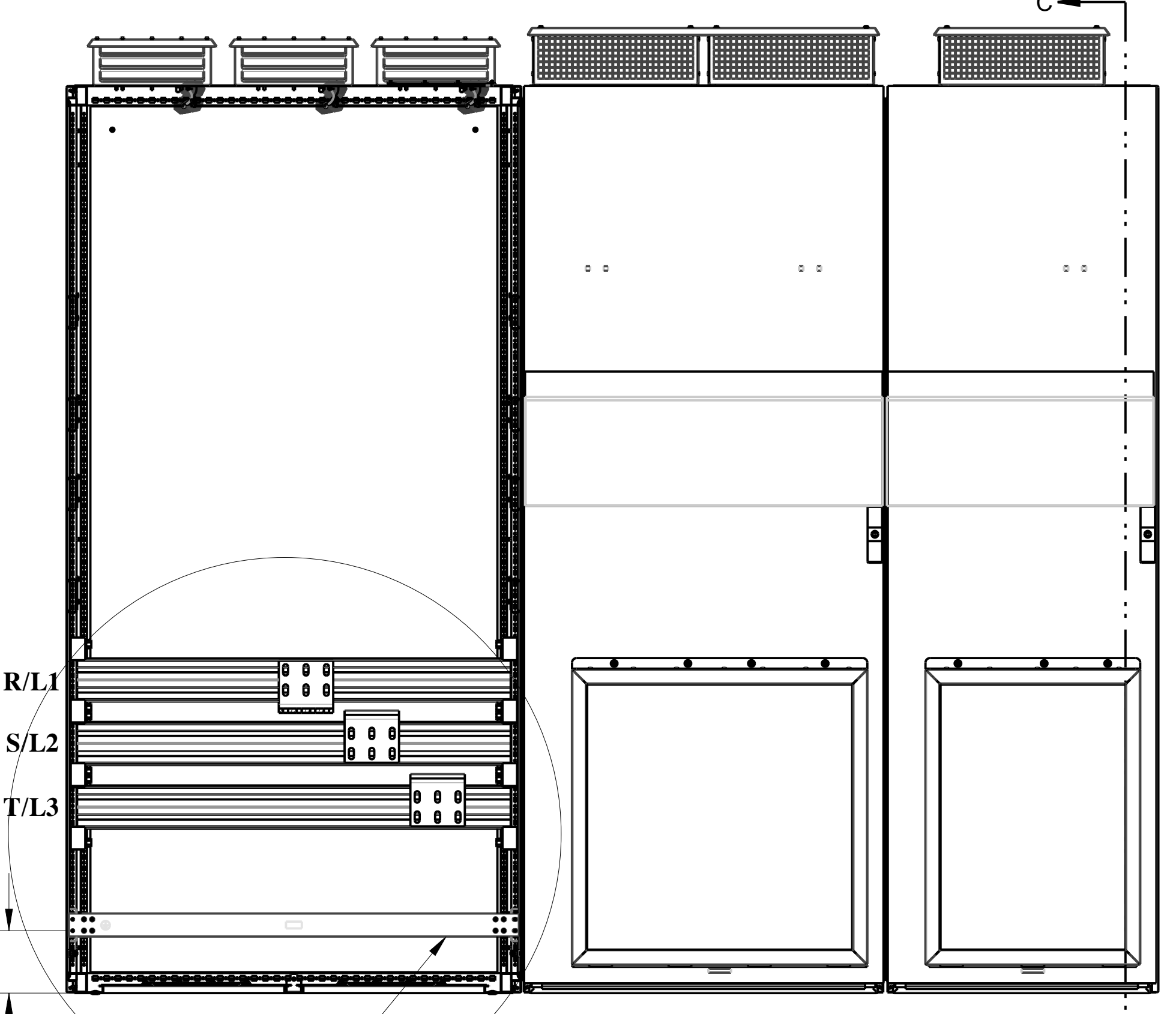
POWER BAY
600MM



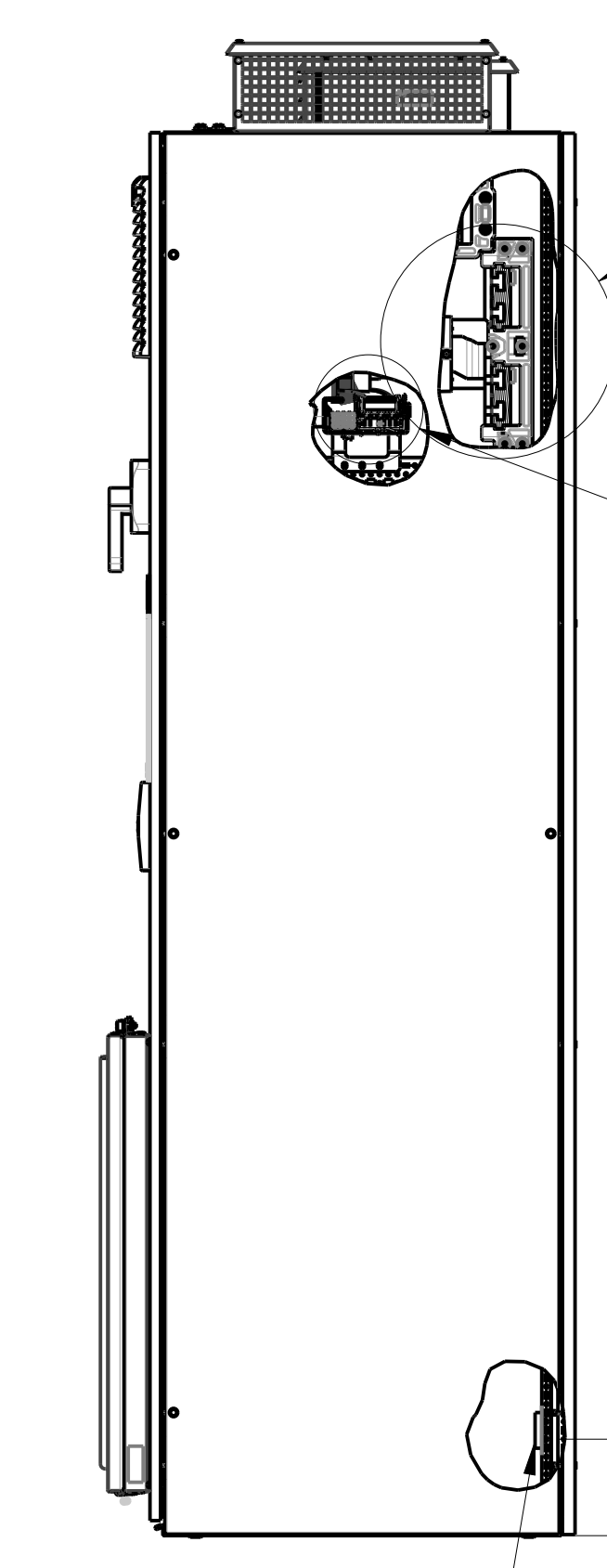
SECTION B-B



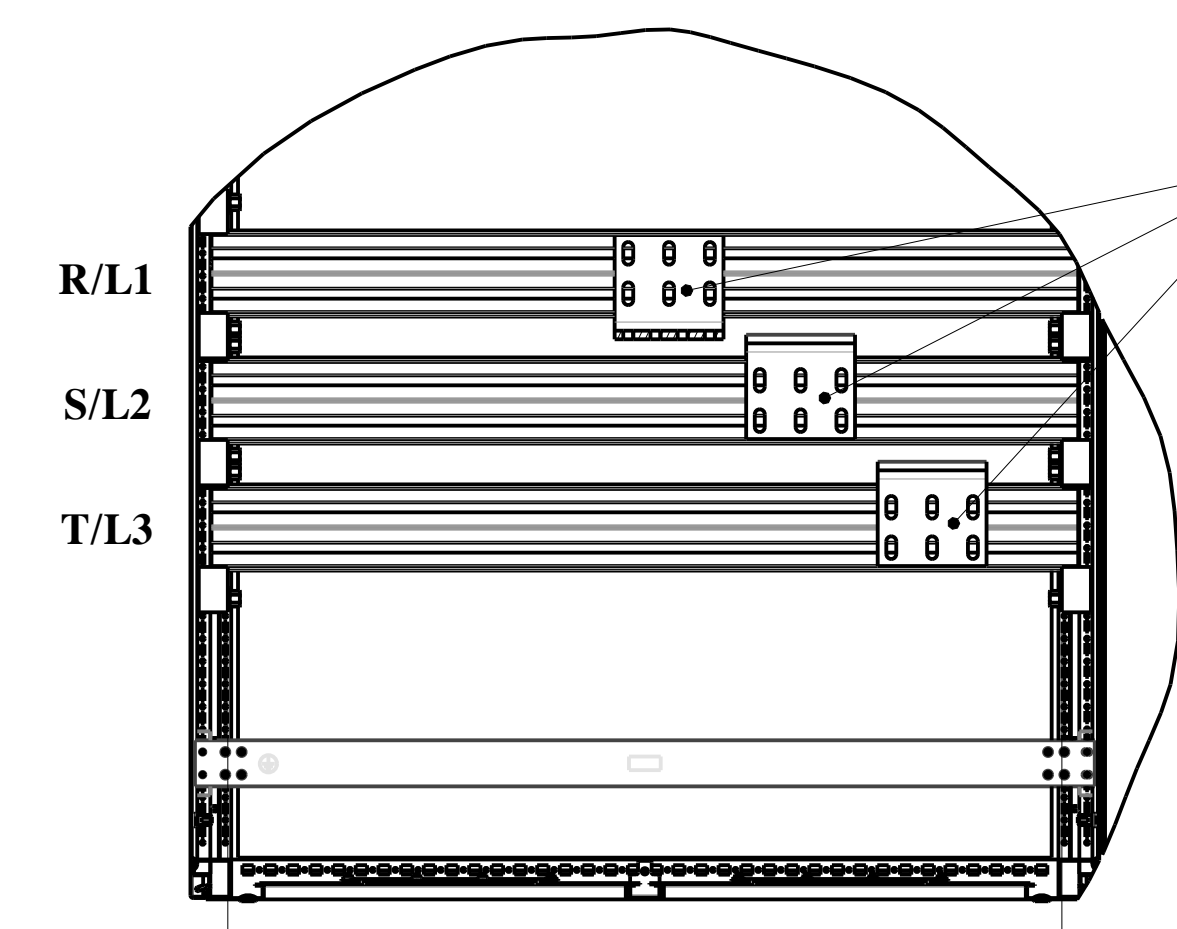
SEE DETAIL C



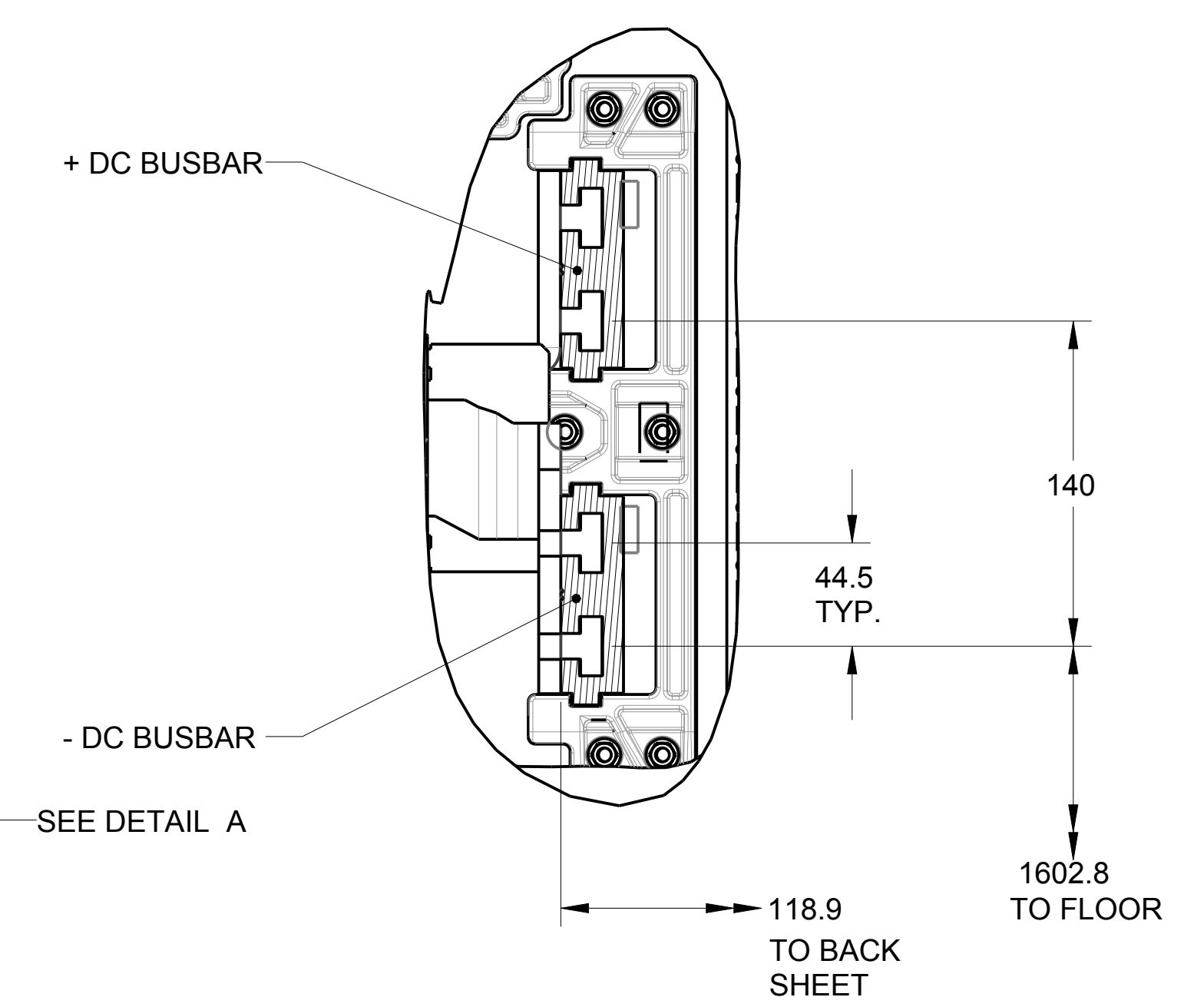
SECTION A-A



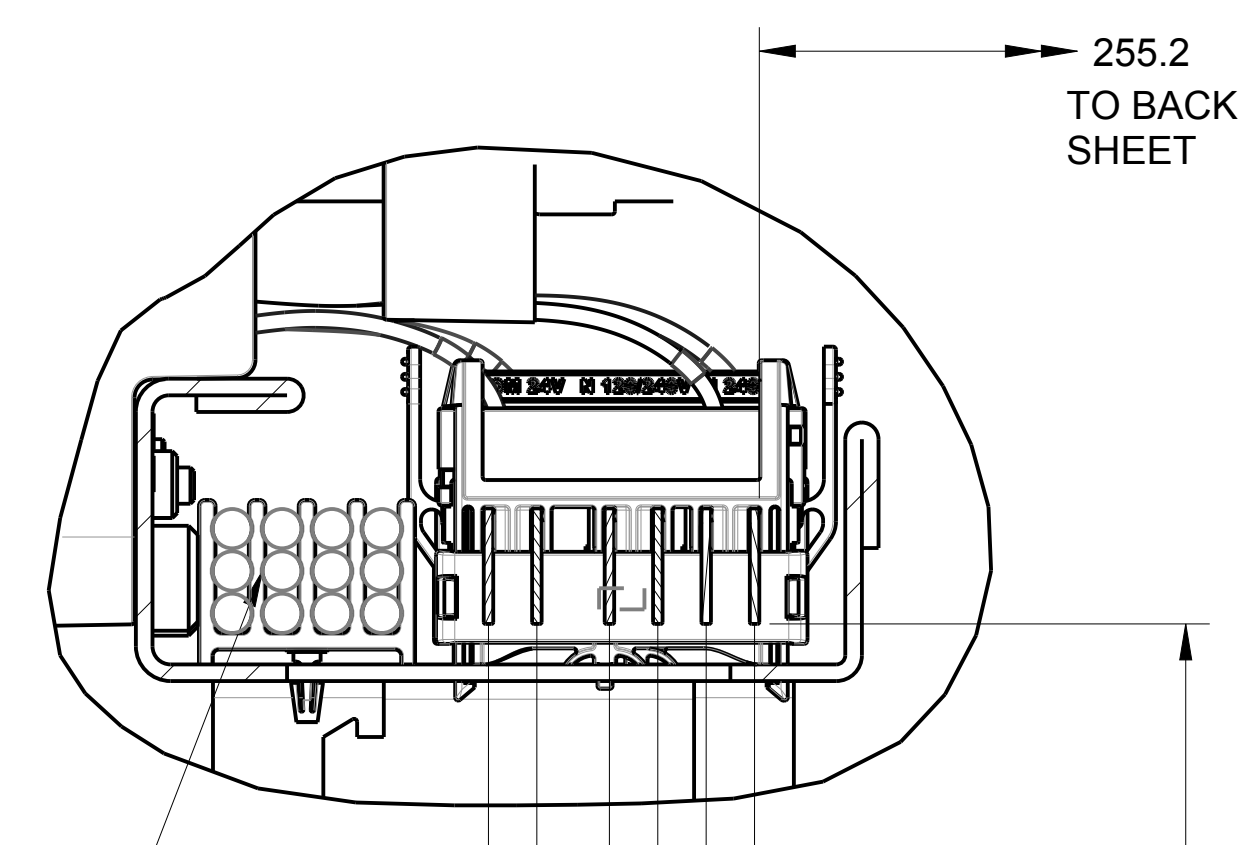
CUSTOMER OUTPUT PE
SECTION C-C



920
(CUSTOMER CONNECTIONS)
DETAIL C
INPUT BAY 1000MM



DETAIL A
(CUSTOMER OUTPUT)



DETAIL B

+ DC BUSBAR

- DC BUSBAR

SEE DETAIL A

SEE DETAIL B

FIBER OPTIC
ROUTING

AUX 24 VDC COM
AUX 24 VDC
120/240 VAC NEUTRAL
120/240 VAC LINE
240 VAC NEUTRAL
240 VAC LINE

NOTES:

1. GROUND BUSBARS ARE 10MM THICK.

		<small>CONFIDENTIAL AND PROPRIETARY INFORMATION THIS DOCUMENT CONTAINS CONFIDENTIAL AND PROPRIETARY INFORMATION OF ROCKWELL AUTOMATION, INC. AND MAY NOT BE USED, COPIED OR DISCLOSED TO OTHERS, EXCEPT WITH THE AUTHORIZED WRITTEN PERMISSION OF ROCKWELL AUTOMATION, INC.</small>	
		Sheet 2 Of 2	
PF755TM COMMON BUS SUPPLIES FRAME10 INSTALLATION SPECIFICATION		Size D	Ver 01
Drawn by: AFTUAZON	Date: NOV-08-2016	10002163517	