

3" TRAVEL CABLE

**Rockwell
Automation**

**DIMENSION DRAWING, 1494U
200AMP, CABLE OPERATED
DISCONNECT SWITCH**

DESCRIPTION

Drawn by: LEQUENTI Date: 2018-02-08

10002819459 CAD MODEL

CONFIDENTIAL AND PROPRIETARY INFORMATION.
THIS DOCUMENT CONTAINS CONFIDENTIAL AND PROPRIETARY
INFORMATION OF ROCKWELL AUTOMATION, INC. AND MAY
NOT BE USED, COPIED OR DISCLOSED TO OTHERS, EXCEPT
WITH THE AUTHORIZED WRITTEN PERMISSION OF ROCKWELL
AUTOMATION, INC.

Sheet 1 Of 3

Size	DIR	Ver
B	10002551386	00

1

2

3

4

5

6

7

8

A

B

C

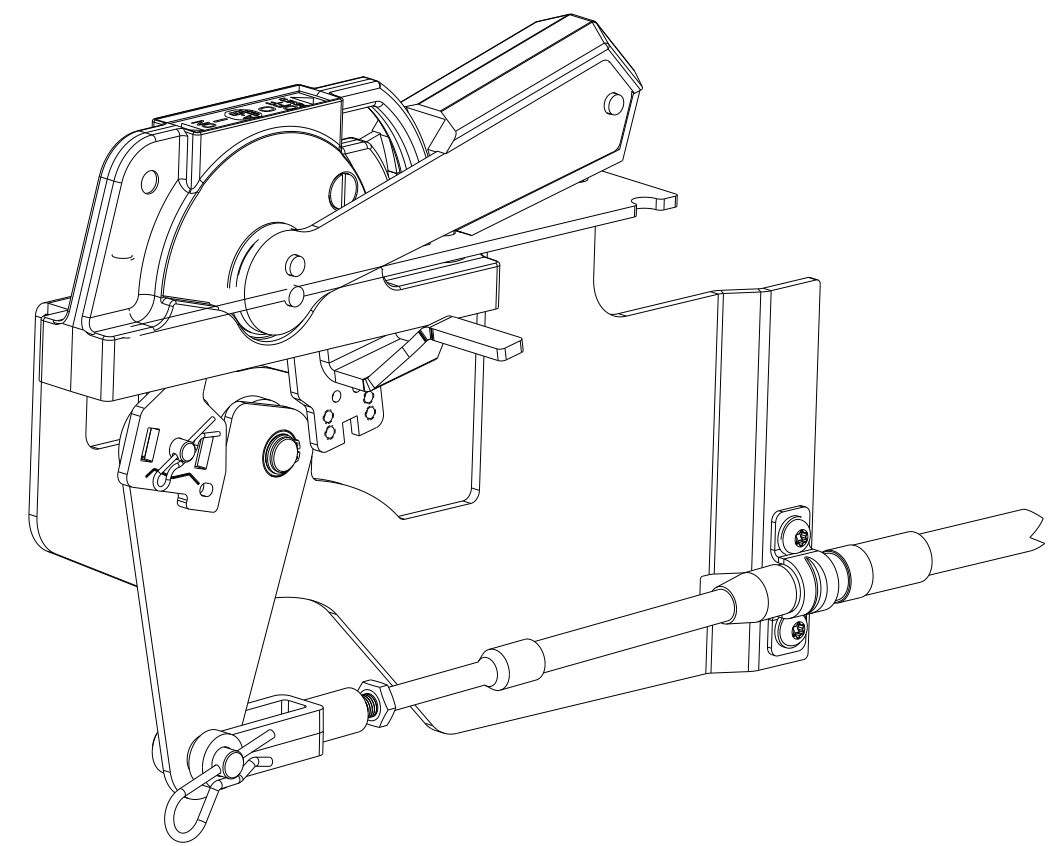
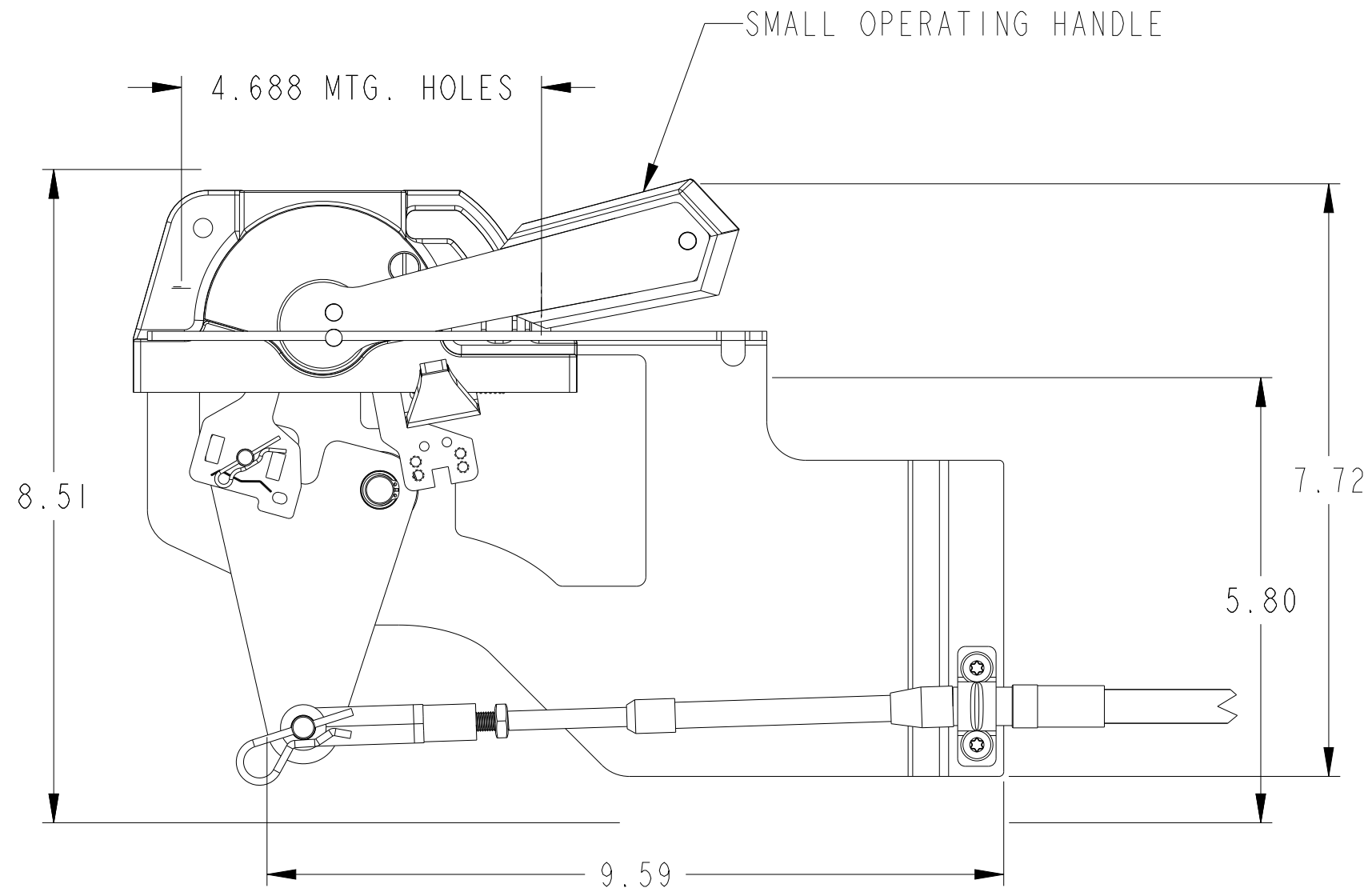
D

E

F

G

H



10002551385	CAD MODEL
-------------	-----------

**Rockwell
Automation**

CONFIDENTIAL AND PROPRIETARY INFORMATION.
THIS DOCUMENT CONTAINS CONFIDENTIAL AND PROPRIETARY
INFORMATION OF ROCKWELL AUTOMATION, INC. AND MAY
NOT BE USED, COPIED OR DISCLOSED TO OTHERS, EXCEPT
WITH THE AUTHORIZED WRITTEN PERMISSION OF ROCKWELL
AUTOMATION, INC.

DESCRIPTION

**DIMENSION DRAWING, 1494U
200 AMP, CABLE OPERATED
DISCONNECT SWITCH**

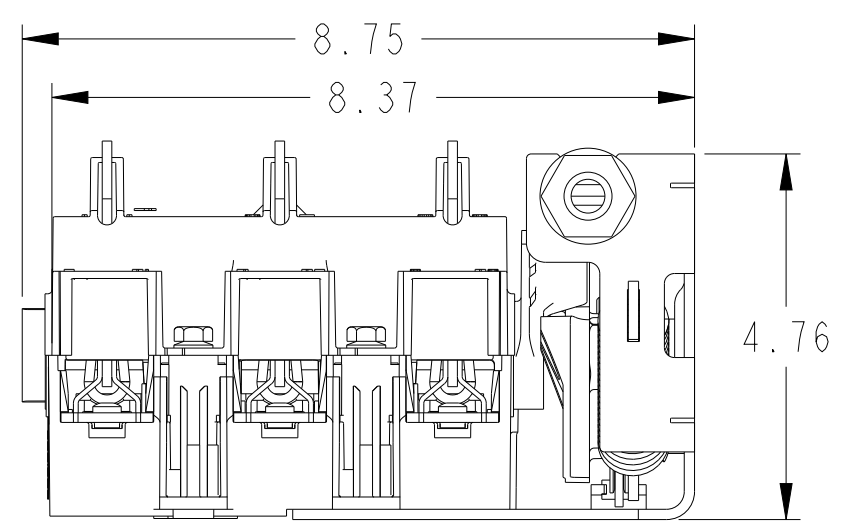
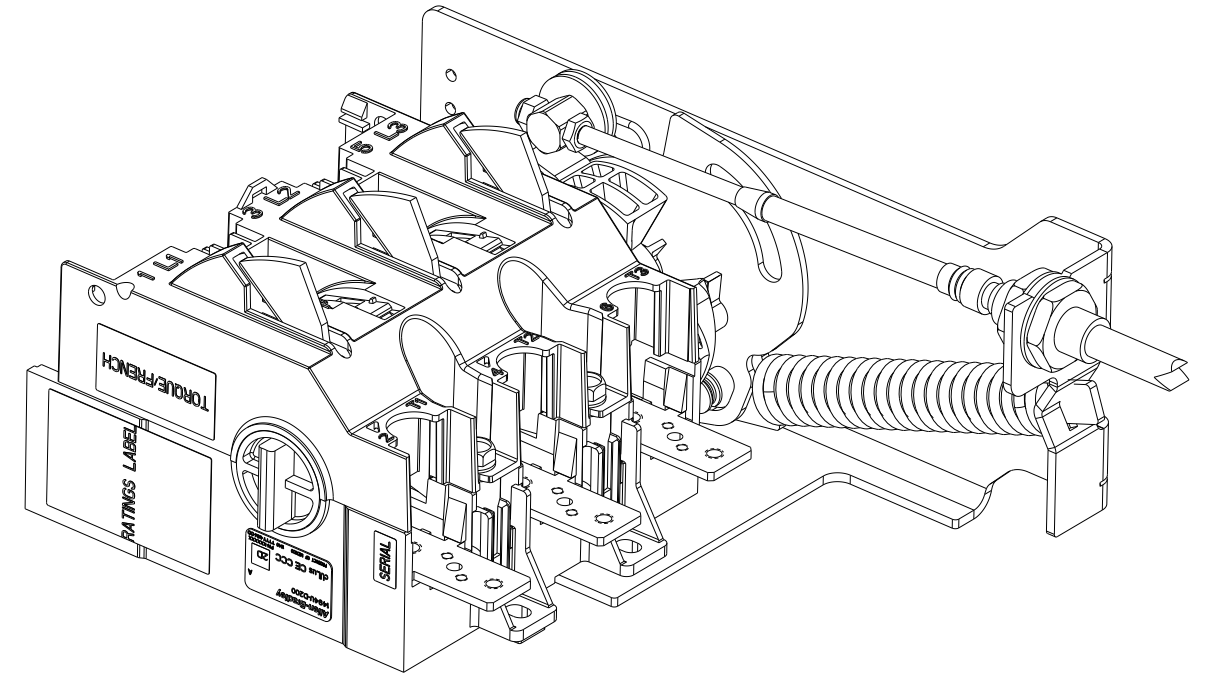
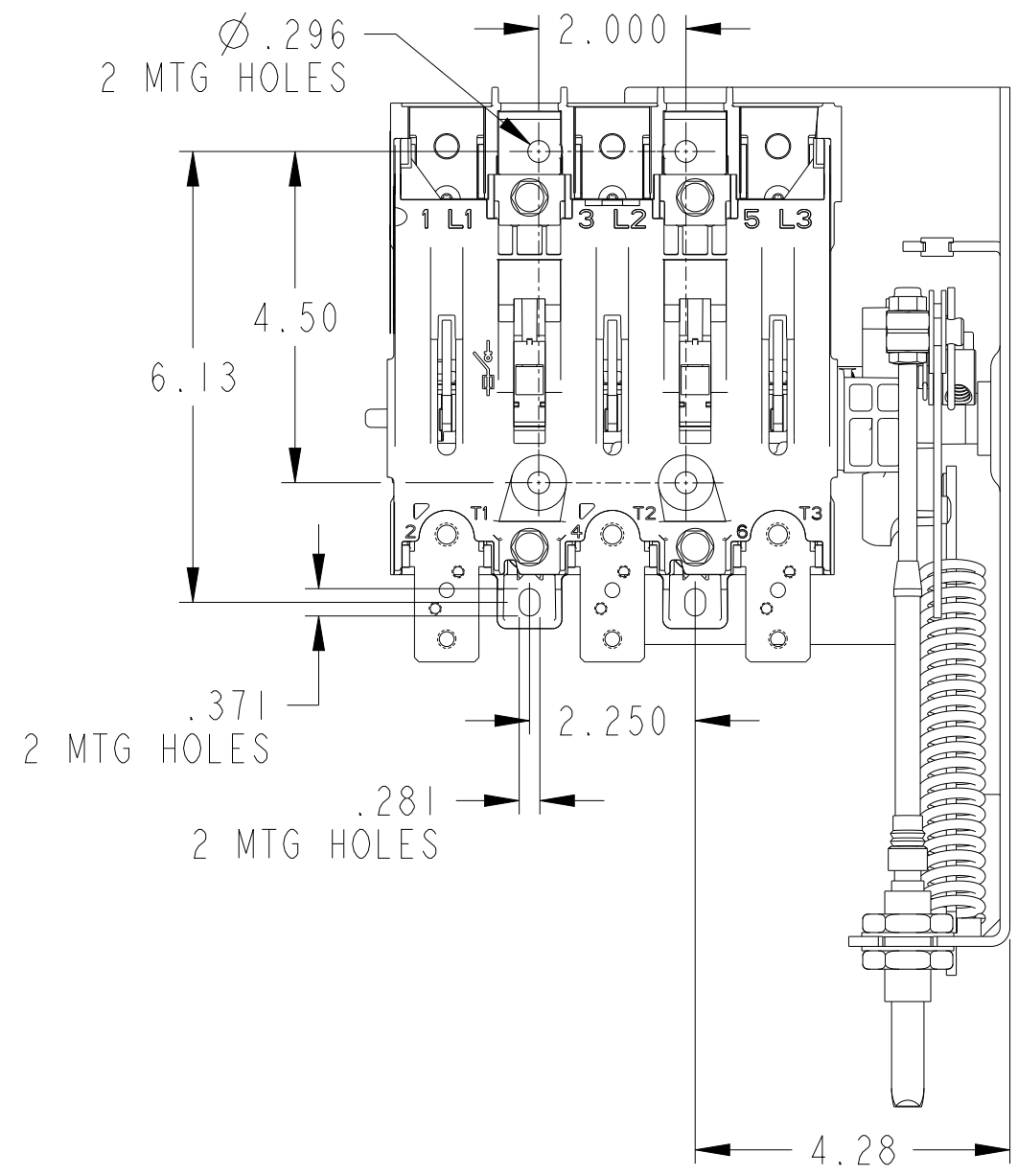
Sheet 2 Of 3

Size	DIR	Ver
B	10002551386	00

Drawn by: LEQUENTI Date: 08-17-2016

1 2 3 4 5 6 7 8

A
B
C
D
E
F
G
H



10003748802 CAD MODEL

Rockwell Automation

DIMENSION DRAWING, 1494U
200 AMP, CABLE OPERATED
DISCONNECT SWITCH

Drawn by: LEQUENTI Date: 2018-02-08

CONFIDENTIAL AND PROPRIETARY INFORMATION. THIS DOCUMENT CONTAINS CONFIDENTIAL AND PROPRIETARY INFORMATION OF ROCKWELL AUTOMATION, INC. AND MAY NOT BE USED, COPIED OR DISCLOSED TO OTHERS, EXCEPT WITH THE AUTHORIZED WRITTEN PERMISSION OF ROCKWELL AUTOMATION, INC.

Sheet 3 Of 3

Size	DIR	Ver
B	10002551386	00