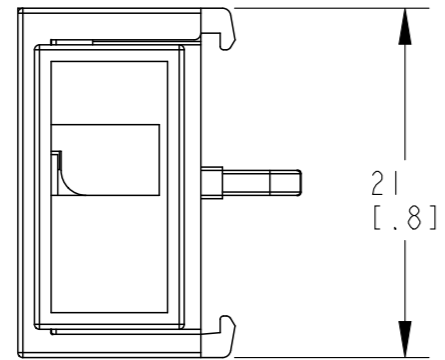
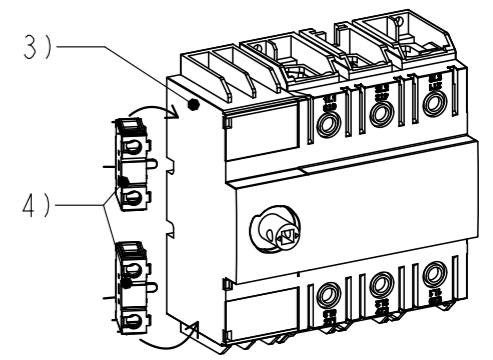
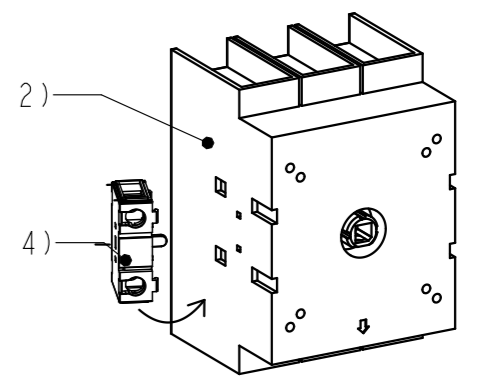
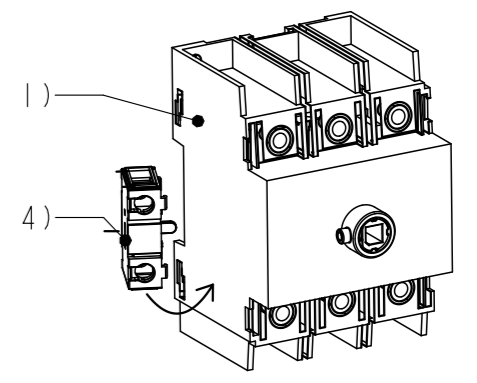


Procedure Examples:



- Catalog Numbers:  
 1) 194U-A30/60/100-1753  
 2) 194U-E30/60/100-1753  
 3) 194U-A160-1753  
 4) 194U-NO/NC

APPROXIMATE DIMENSIONS.  
 DIMENSIONS IN MILLIMETERS [INCHES].



DESCRIPTION		DATE: 2022-04-25		SHEET 1 OF 1		
		194U-NO/NC		SIZE	DIR	VER
CREATED BY: MKUKIELA		CHANGED BY: -		A3	10002669116	01