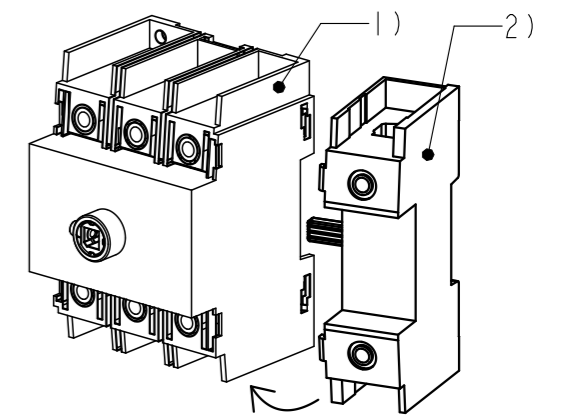


Procedure Example



Catalog Numbers:
1) 194U-A100-1753
2) 194U-A100-FP

APPROXIMATE DIMENSIONS.
DIMENSIOŠNIS IN MILLIMETERS [INCHES].



DESCRIPTION	194U-A100-FP		DATE: 2022-04-27	SHEET 1 OF 1
	SIZE	DIR	VER	
CREATED BY: MKUKIELA	CHANGED BY: -	A3	10002682682	01