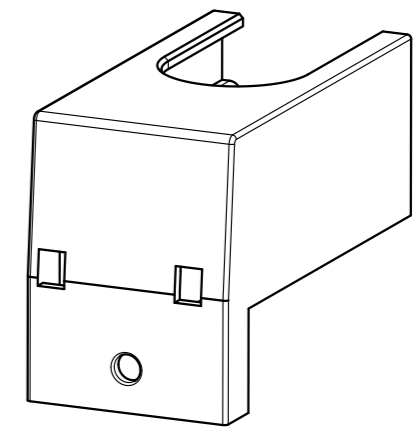
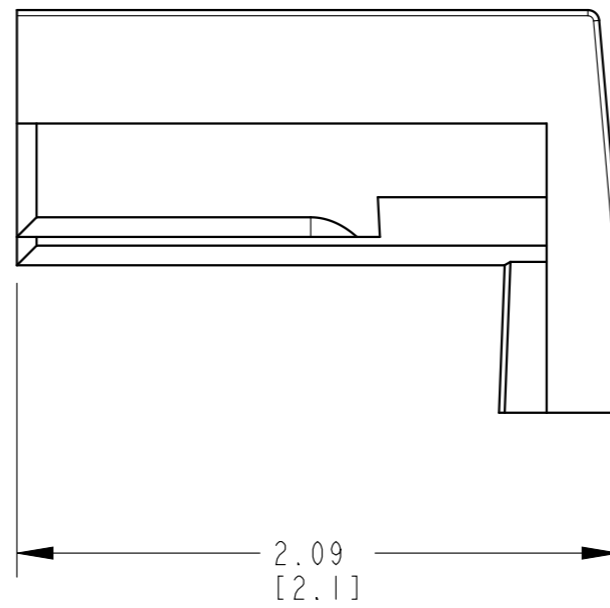
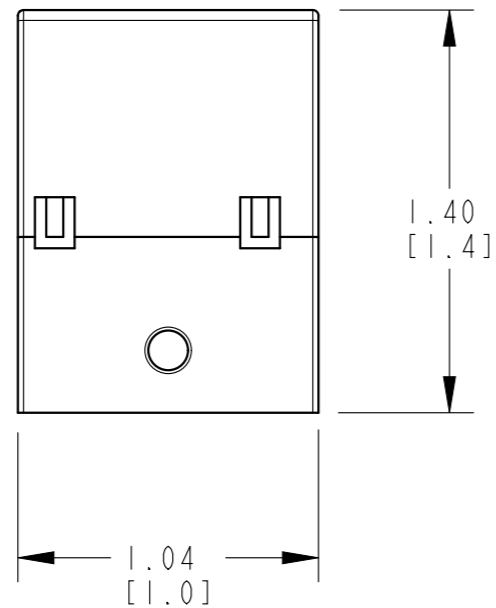


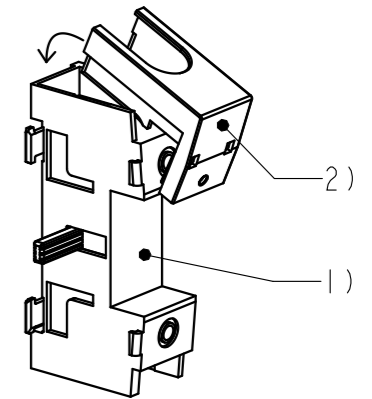
1 2 3 4 5 6 7 8

A  
B  
C  
D  
E  
F  
G  
H

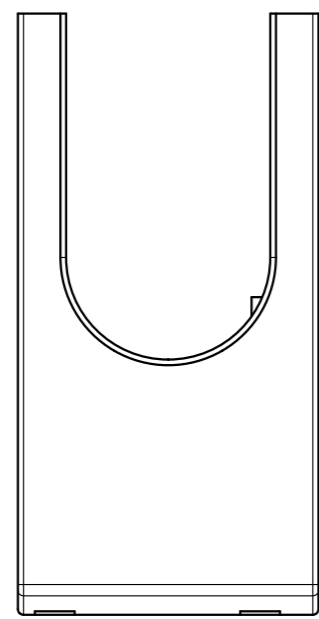
A  
B  
C  
D  
E  
F  
G  
H



Procedure Examples



- Catalog Numbers:
- 1) 194U-A60-PE
  - 1) 194U-A100-PE
  - 1) 194U-A100-FP
  - 1) 194U-E60-PE
  - 1) 194U-E100-PE
  - 1) 194U-E100-FP
  - 2) 194U-C1



APPROXIMATE DIMENSIONS.  
DIMENSIONS IN MILLIMETERS [INCHES].



DESCRIPTION	194U-C1		DATE: 2022-04-27	SHEET 1 OF 1
	SIZE	DIR	VER	
CREATED BY: MKUKIELA	CHANGED BY: -	A3	10002683399	01

1 2 3 4 5 6 7 8