

**1492-P Terminal Block**

**1492-P Bornes**

**1492-P Reihenklemmen**

**1492-P Morsetti**

**1492-P Tablillas terminales**

**1492-P клеммная колодка**

**1492-P 端子块**



**WARNING:** To prevent electrical shock, disconnect from power source before installing or servicing. Install in suitable enclosure. Keep free from contaminants.



**WARNUNG:** Vor Installations- oder Servicearbeiten Stromversorgung unterbrechen, um Unfälle zu vermeiden. Die Geräte müssen in einem passenden Gehäuse eingebaut und gegen Verschmutzung geschützt werden.

**AVERTISSEMENT:** Avant le montage et la mise en service, couper l'alimentation secteur afin d'éviter tout accident. Prévoir une mise en coffret ou armoire appropriée. Protéger le produit contre les environnements agressifs.

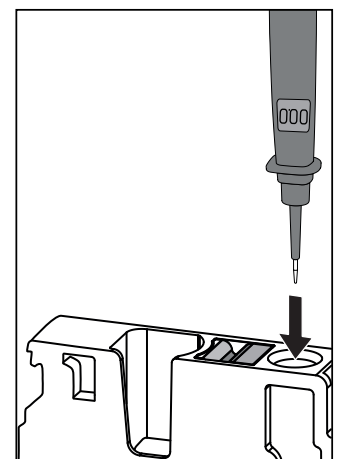
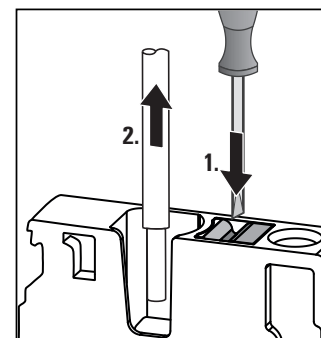
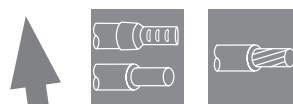
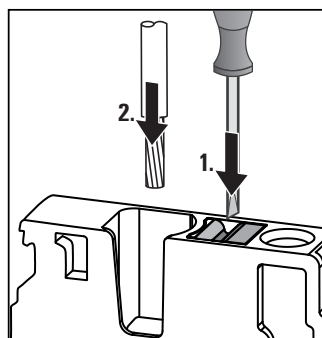
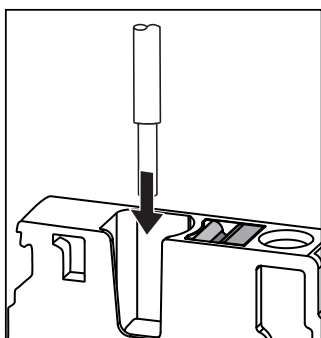
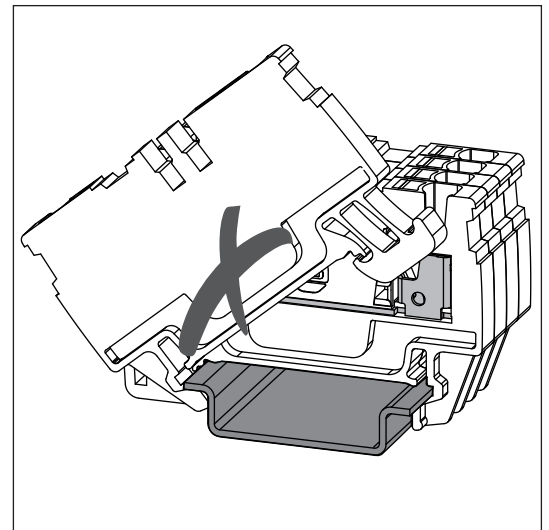
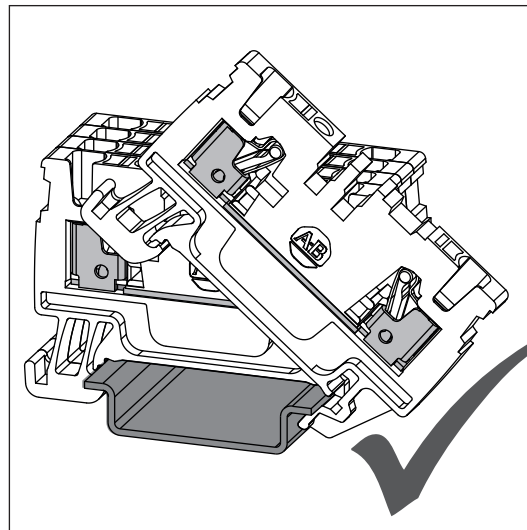
**AVVERTENZA:** Per prevenire infortuni, togliere tensione prima dell'installazione o manutenzione. Installare in custodia idonea. Tenere lontano da contaminanti.

**ADVERTENCIA:** Desconectar la alimentación eléctrica antes de realizar el montaje y la puesta en servicio, con el objeto de evitar accidentes. Instalado en una caja o armario apropiado. Proteger el producto de los ambientes agresivos.

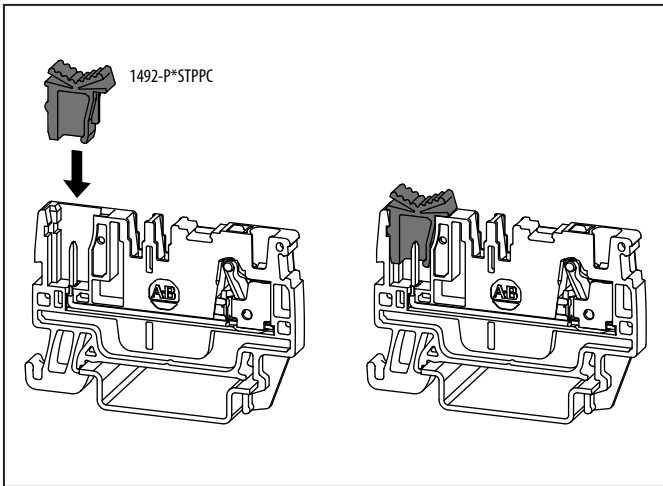
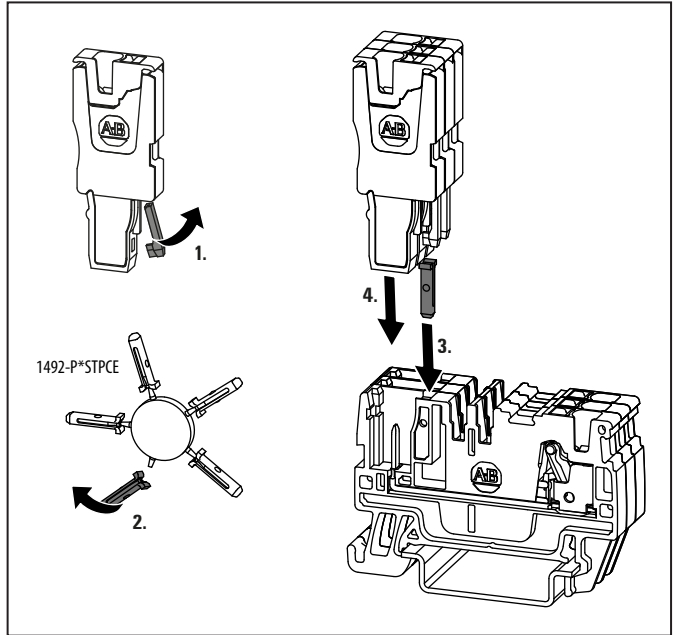
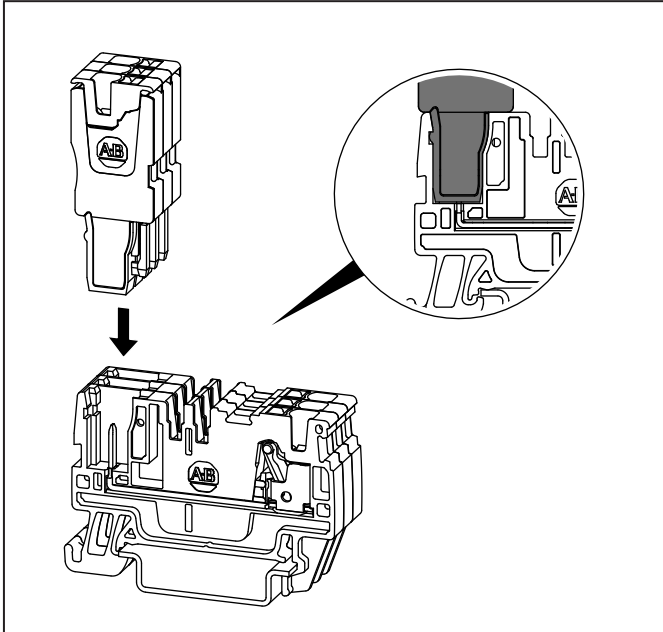
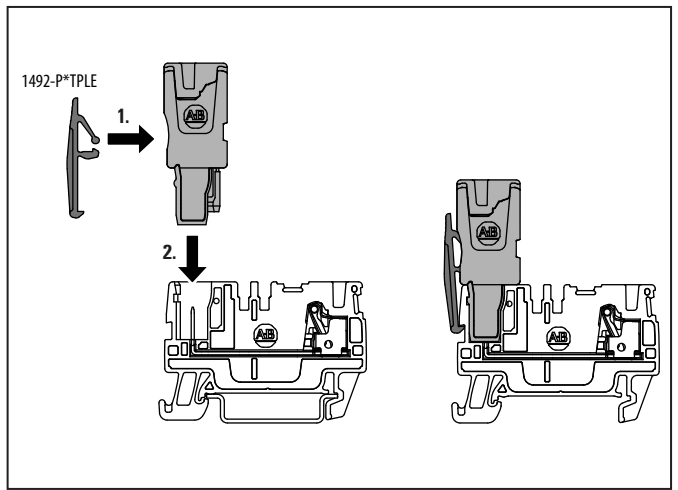
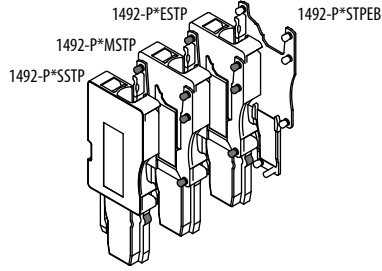
**ПРЕДУПРЕЖДЕНИЕ:** Во избежание поражения электрическим током, отсоединить от источника питания перед установкой или обслуживанием. Устанавливать в соответствующем корпусе. Предохранять от загрязнений.

警告: 为了防止触电, 在安装或维修之前必须先切断电源。安装在合适的设备箱内。防止接触污染物。

1492-P... 2 ...	8 mm (0.31")
1492-P... 3 ...	10 mm (0.39")
1492-P... 4 ...	12 mm (0.47")
1492-P... 6 ...	12 mm (0.47")
1492-P... 10 ...	18 mm (0.70")
1492-P... 16 ...	18 mm (0.70")



1492-P\*\*STP-\*PLUGS



Rockwell Automation maintains current product environmental information on its website at <http://www.rockwellautomation.com/rockwellautomation/about-us/sustainability-ethics/product-environmental-compliance.page>.

Allen-Bradley, Rockwell Software, and Rockwell Automation are trademarks of Rockwell Automation, Inc. Trademarks not belonging to Rockwell Automation are property of their respective companies.

[www.rockwellautomation.com](http://www.rockwellautomation.com)

**Power, Control and Information Solutions Headquarters**

Americas: Rockwell Automation, 1201 South Second Street, Milwaukee, WI 53204-2496 USA, Tel: (1) 414.382.2000, Fax: (1) 414.382.4444  
 Europe/Middle East/Africa: Rockwell Automation NV, Pegasus Park, De Kleetlaan 12a, 1831 Diegem, Belgium, Tel: (32) 2 663 0600, Fax: (32) 2 663 0640  
 Asia Pacific: Rockwell Automation, Level 14, Core F, Cyberport 3, 100 Cyberport Road, Hong Kong, Tel: (852) 2887 4788, Fax: (852) 2508 1846

DIR 10003074431 (Version 00)  
 Copyright © 2017 Rockwell Automation, Inc.  
 All Rights Reserved.