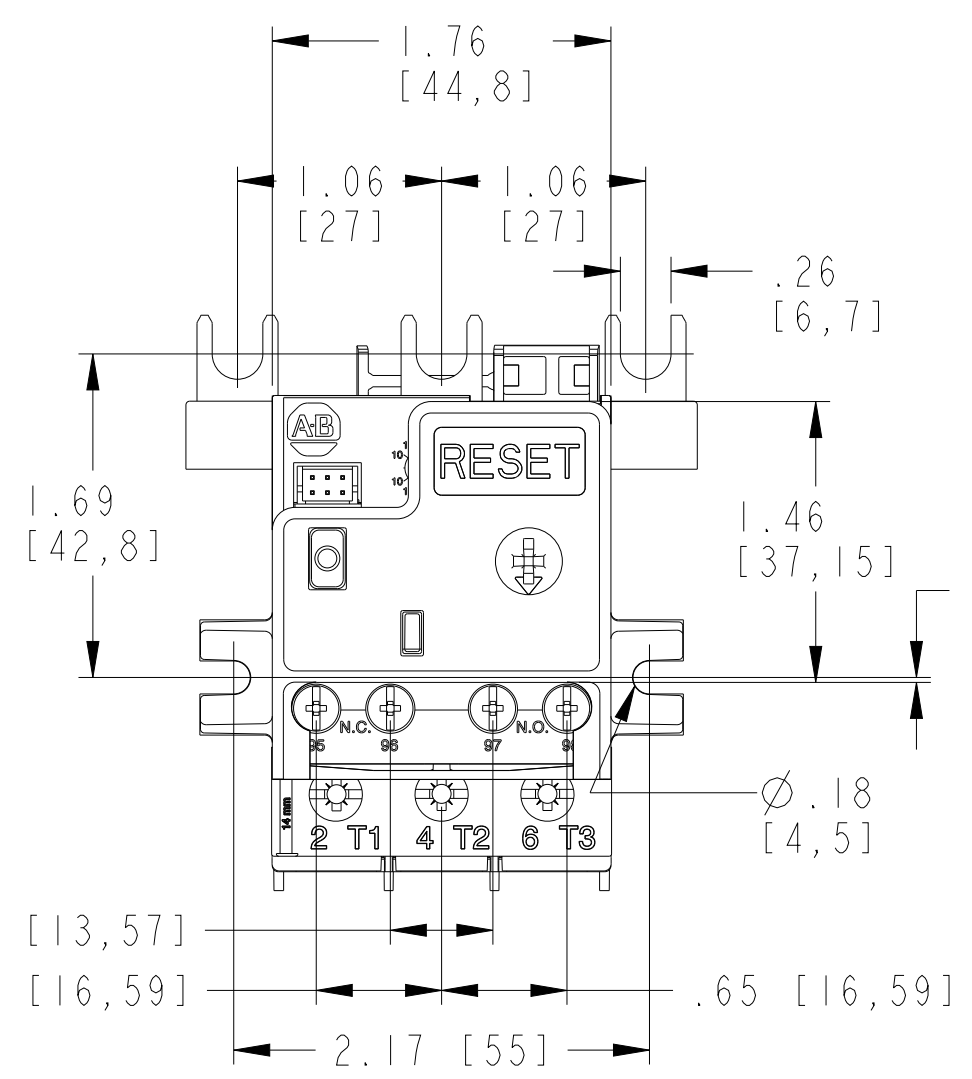
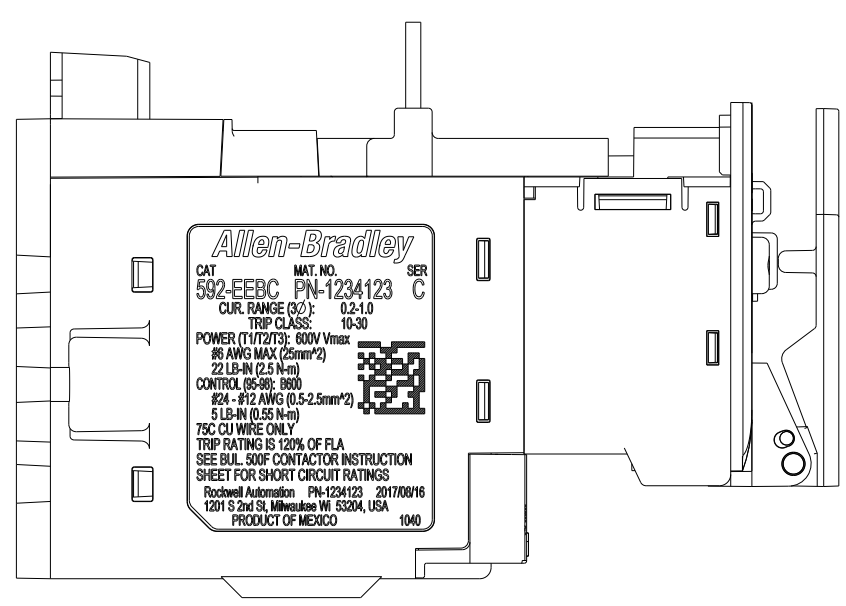
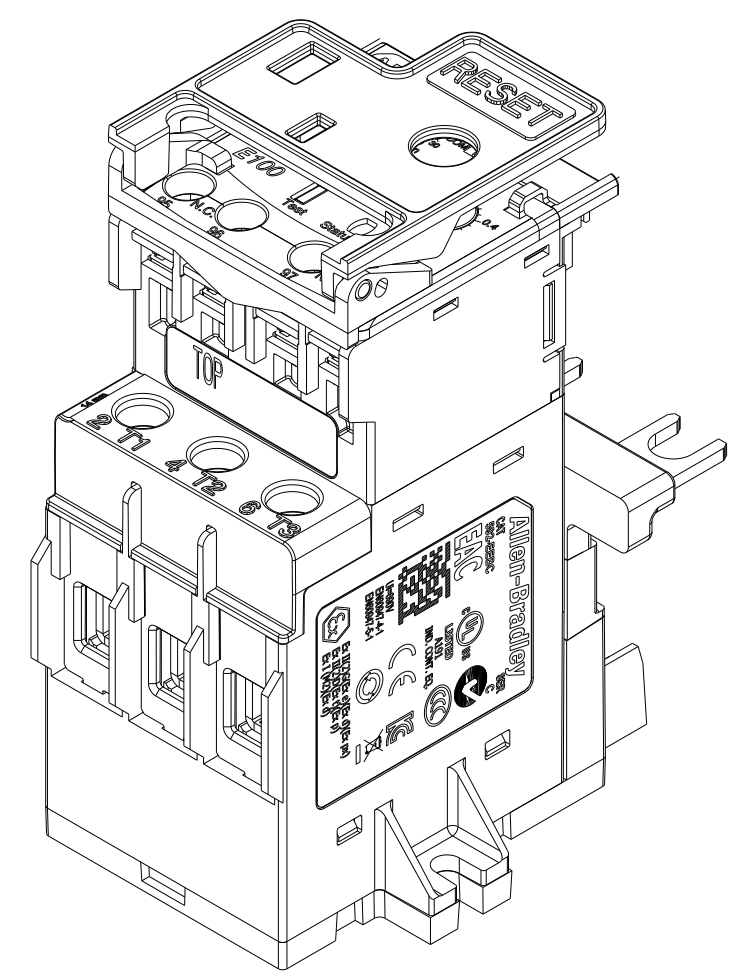
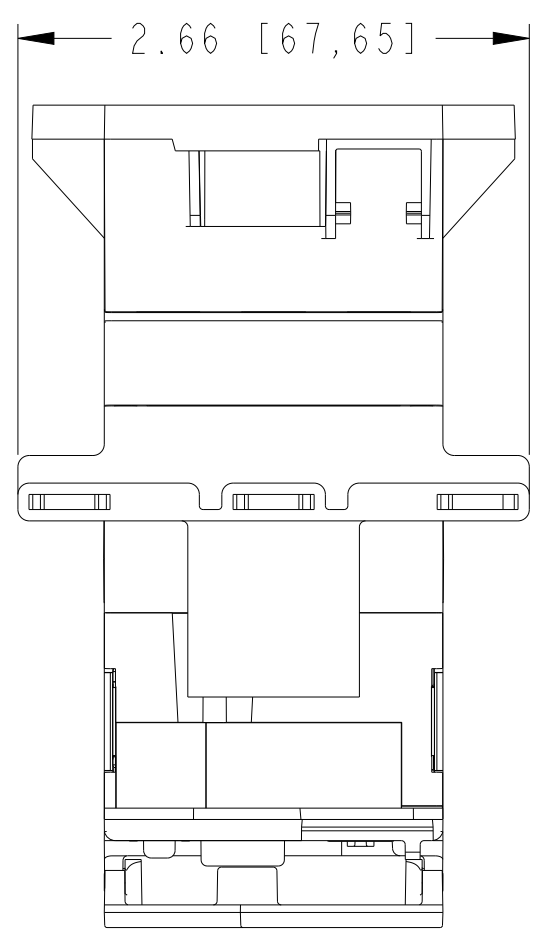
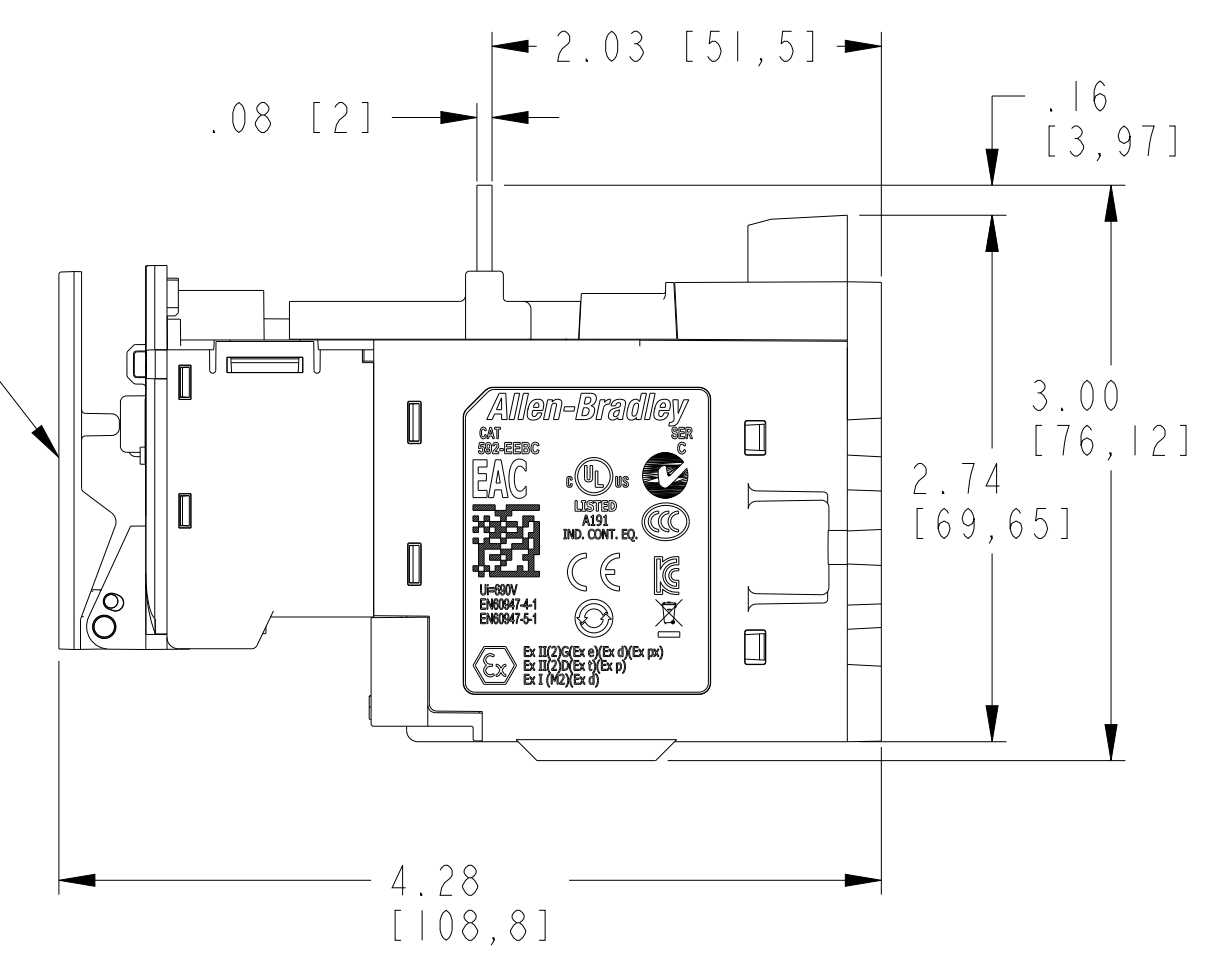


1 2 3 4 5 6 7 8

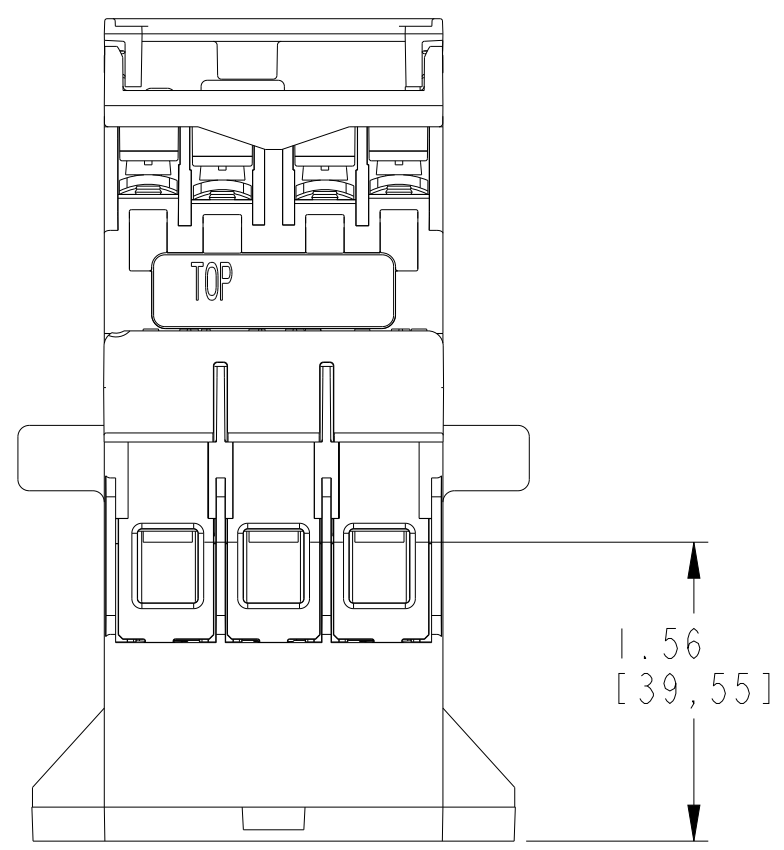
A
B
C
D
E
F
G
H



RESET TRAVEL
.10 [2,5]



SINGLE TURN

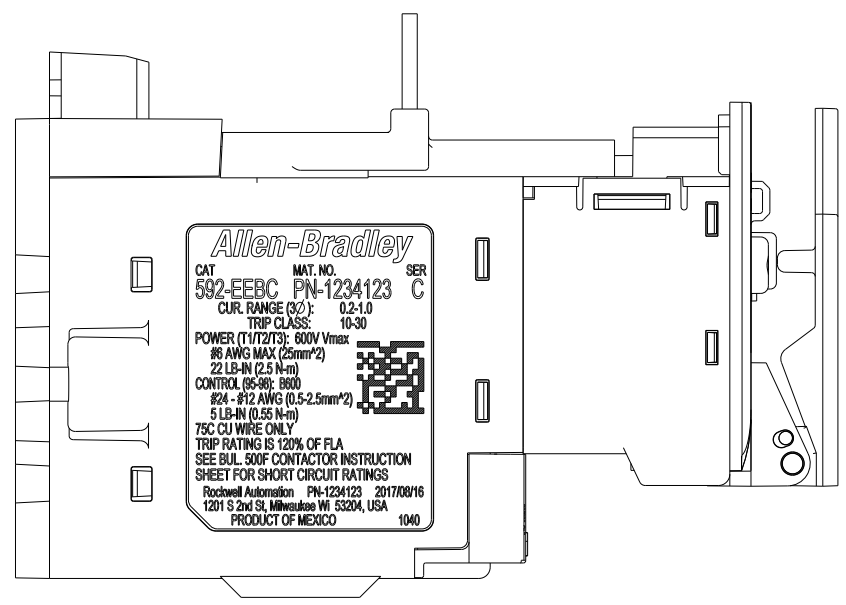
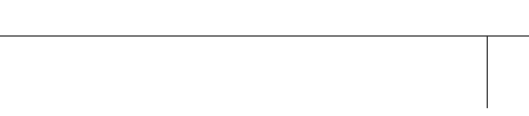
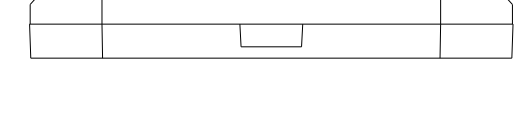
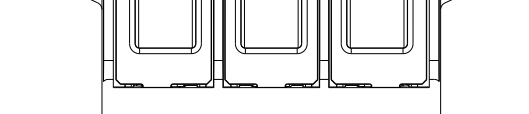
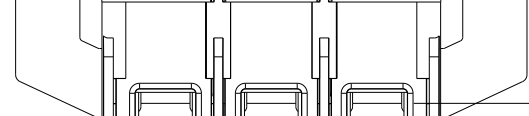
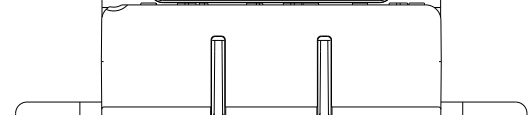
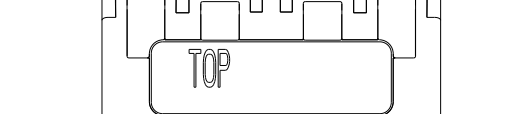
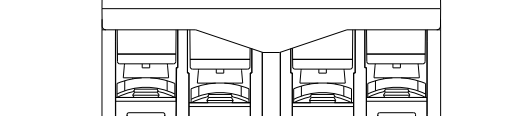
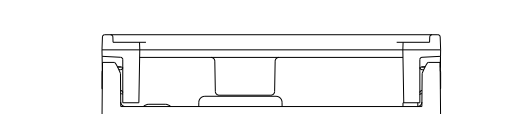
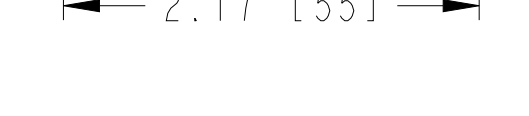
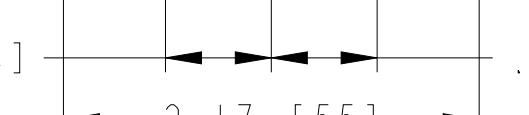
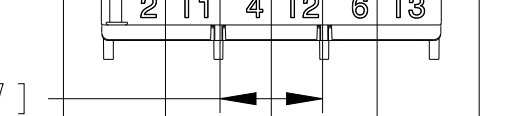
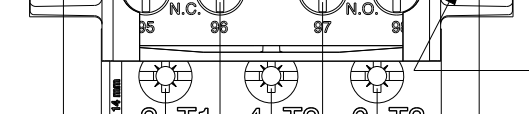
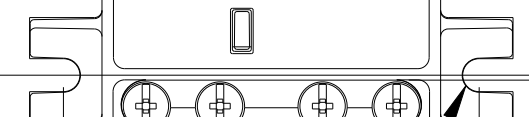
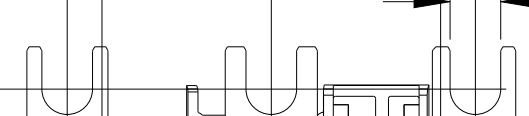
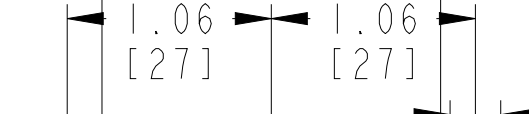
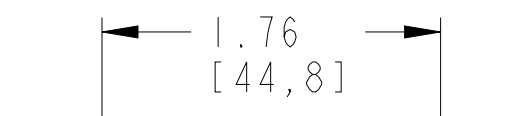
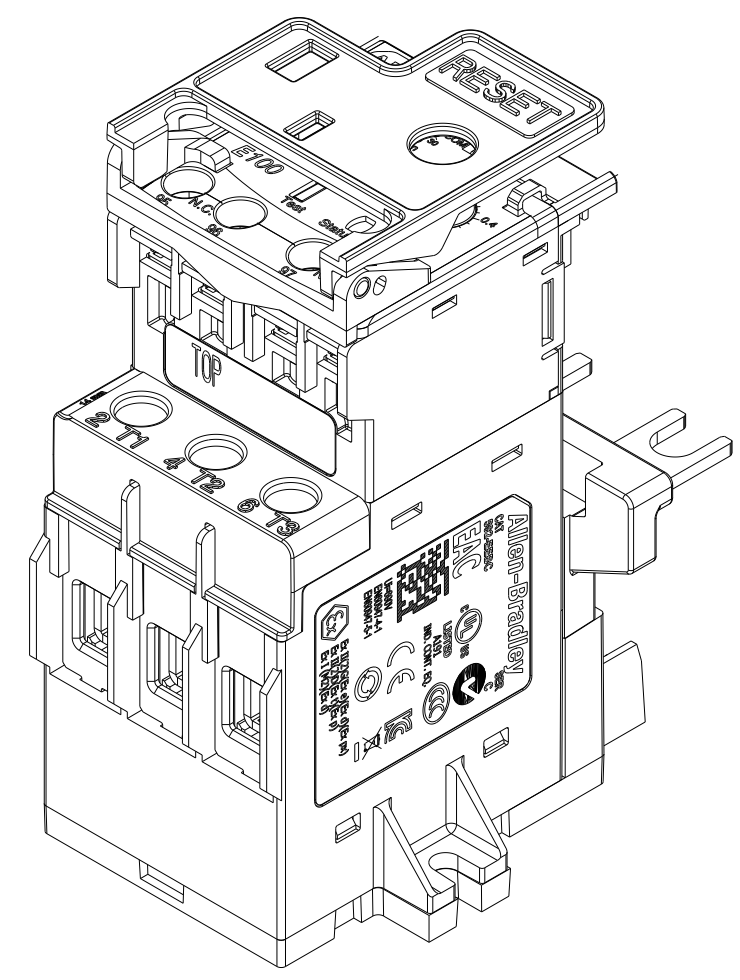
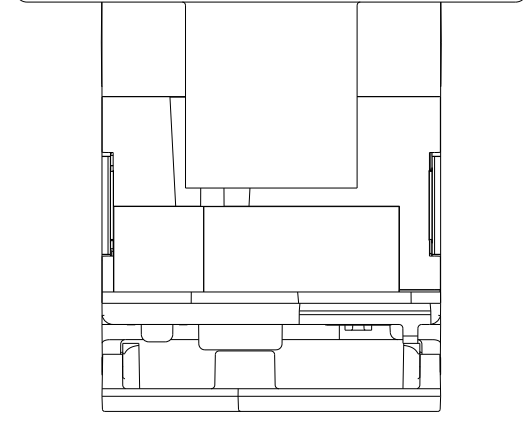
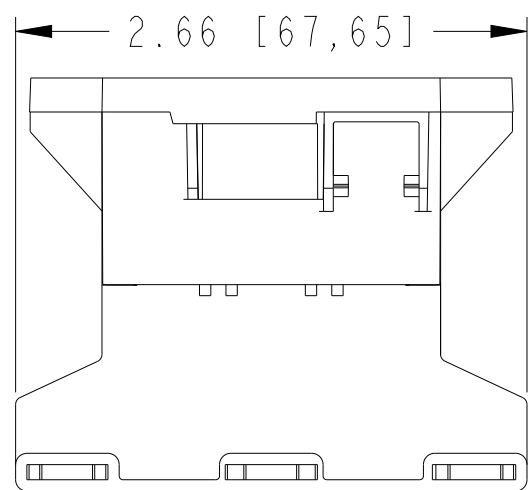


- NOTES:
1. DIMENSIONS SHOWN ARE REFERENCE ONLY.
NOT INTENDED FOR MANUFACTURING PURPOSES.
2. DIMENSIONS IN BRACKETS ARE IN MILLIMETERS.

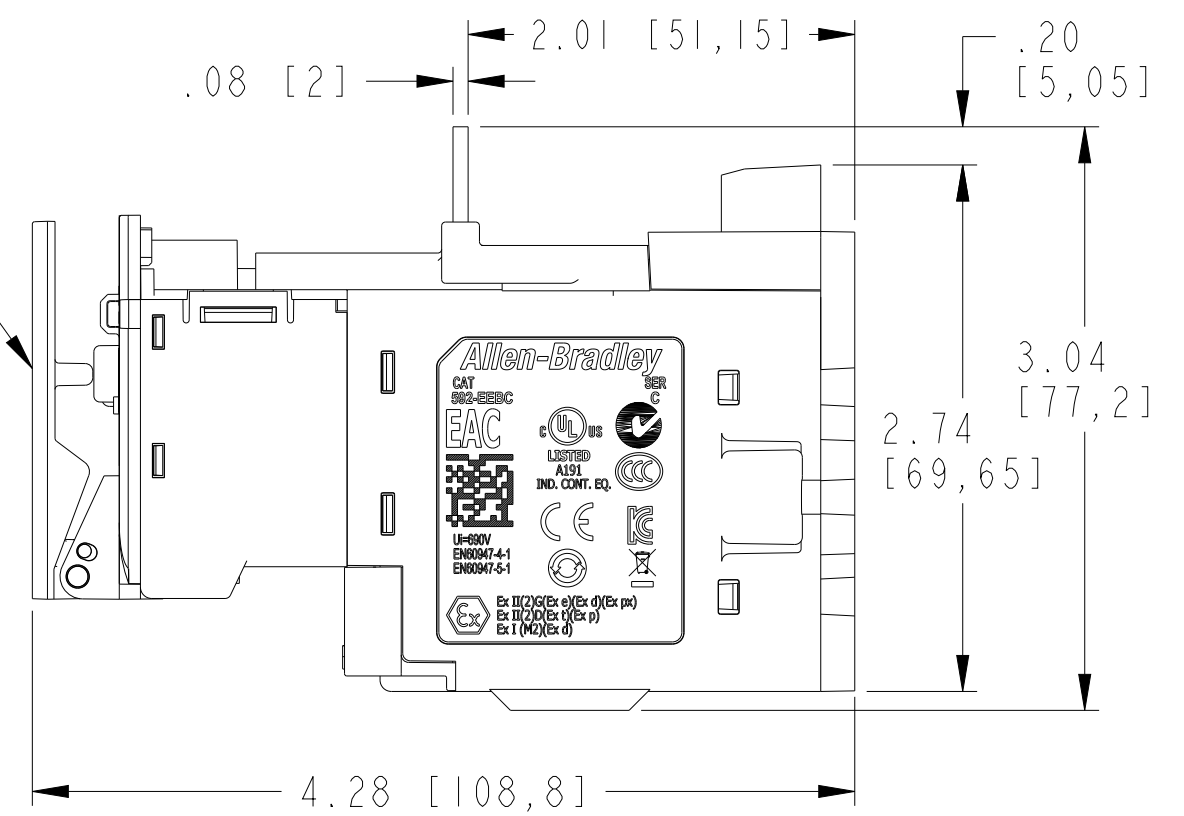
		10002334743		CAD MODEL	
Rockwell Automation DIMENSION DRAWING FOR BUL 193, E100 ELECTRONIC OVERLOAD RELAY USED WITH BUL 500 SIZE 0/1/2 CONTACTOR		CONFIDENTIAL AND PROPRIETARY INFORMATION. THIS DOCUMENT CONTAINS CONFIDENTIAL AND PROPRIETARY INFORMATION OF ROCKWELL AUTOMATION, INC. AND MAY NOT BE USED, COPIED OR DISCLOSED TO OTHERS EXCEPT WITH THE AUTHORIZED WRITTEN PERMISSION OF ROCKWELL AUTOMATION, INC.			
		Sheet 1 Of 4			
DESCRIPTION	Size	DIR	Ver		
Drawn by: LEQUENTI	Date: 2022-01-15	C	10003306610	00	

1 2 3 4 5 6 7 8

A
B
C
D
E
F
G
H



RESET TRAVEL
.10 [2.5]



MULTI-TURN

10002334767 CAD MODEL

Rockwell Automation

**DIMENSION DRAWING FOR
BUL 193, E100 ELECTRONIC OVERLOAD RELAY
USED WITH BUL 500 SIZE 0/1/2 CONTACTOR**

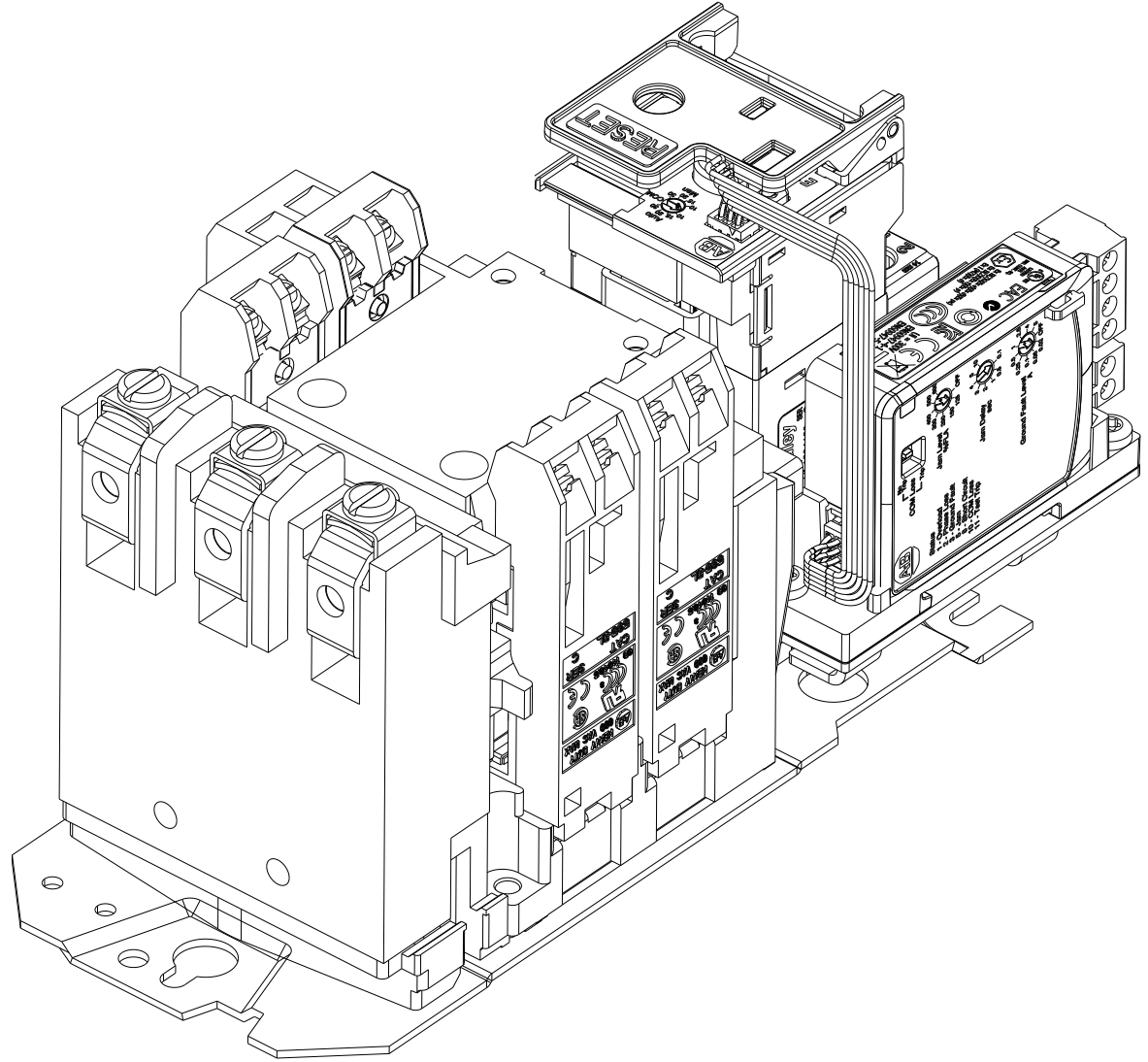
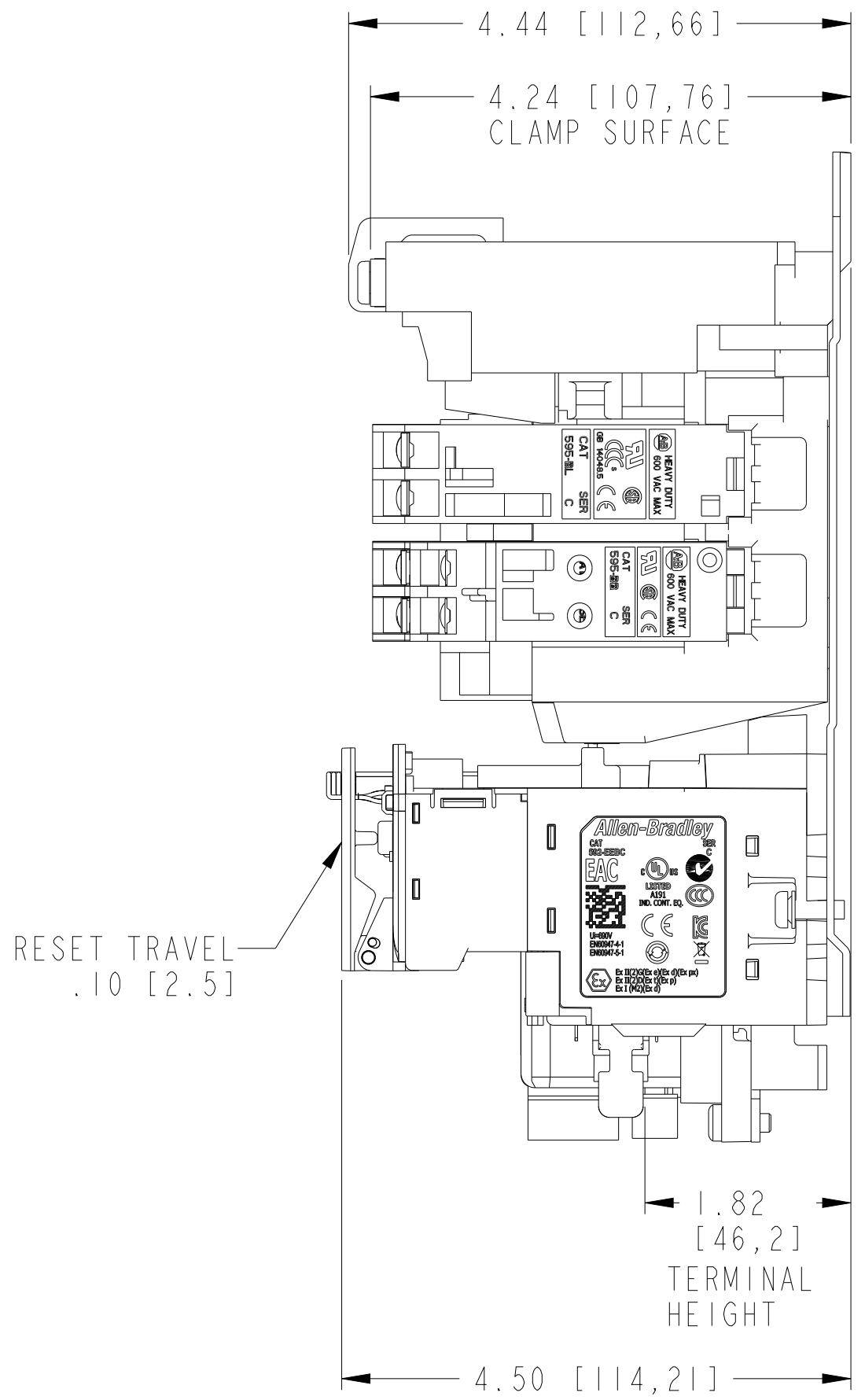
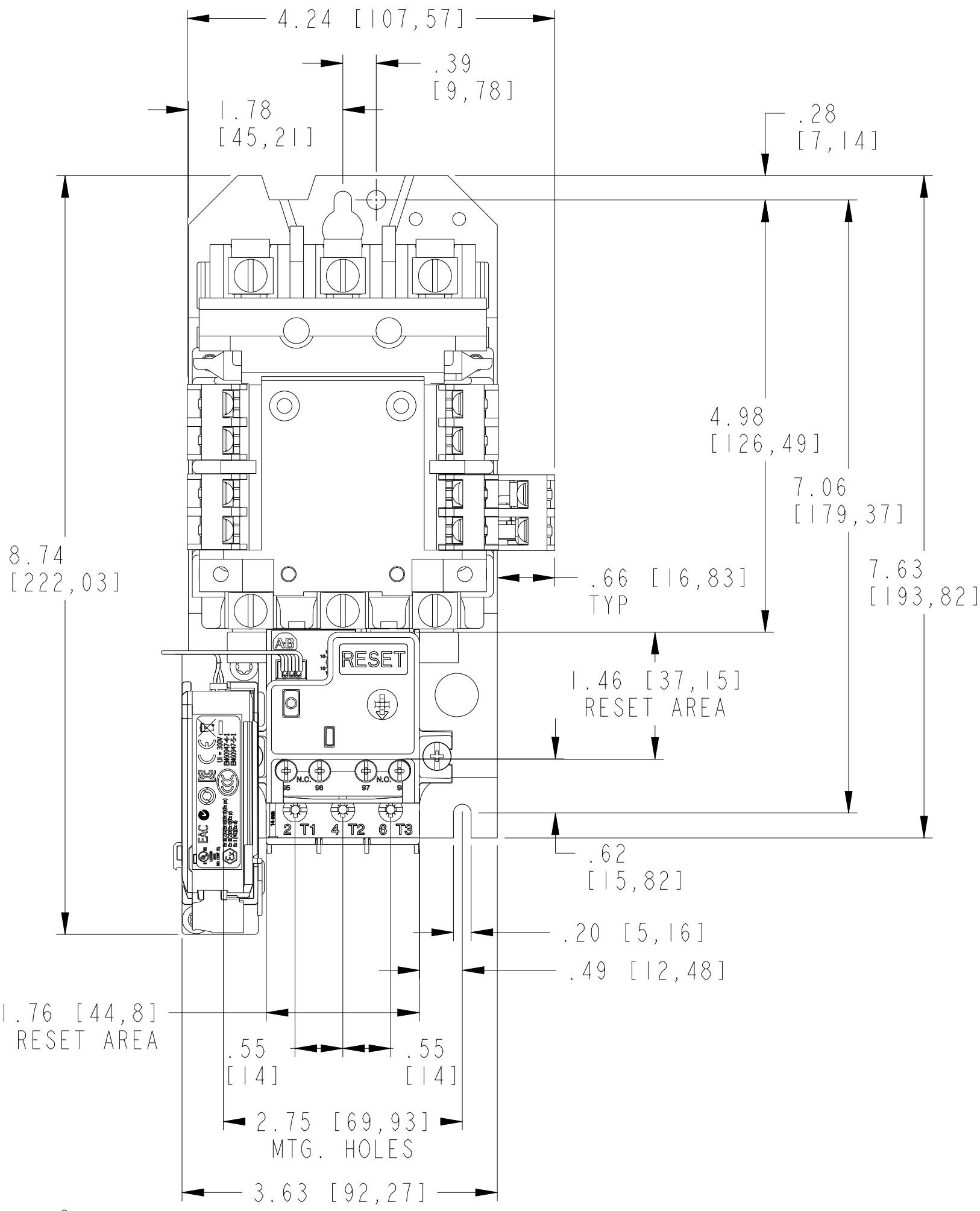
DESCRIPTION

Drawn by: LEQUENTI Date: 2022-01-15

CONFIDENTIAL AND PROPRIETARY INFORMATION. THIS DOCUMENT CONTAINS CONFIDENTIAL AND PROPRIETARY INFORMATION OF ROCKWELL AUTOMATION, INC. AND MAY NOT BE USED, COPIED OR DISCLOSED TO OTHERS EXCEPT WITH THE AUTHORIZED WRITTEN PERMISSION OF ROCKWELL AUTOMATION, INC.	
Sheet 2 Of 4	
Size	DIR
C	10003306610
Ver	00

1 2 3 4 5 6 7 8

A
B
C
D
E
F
G
H



NEMA SIZE 0/1

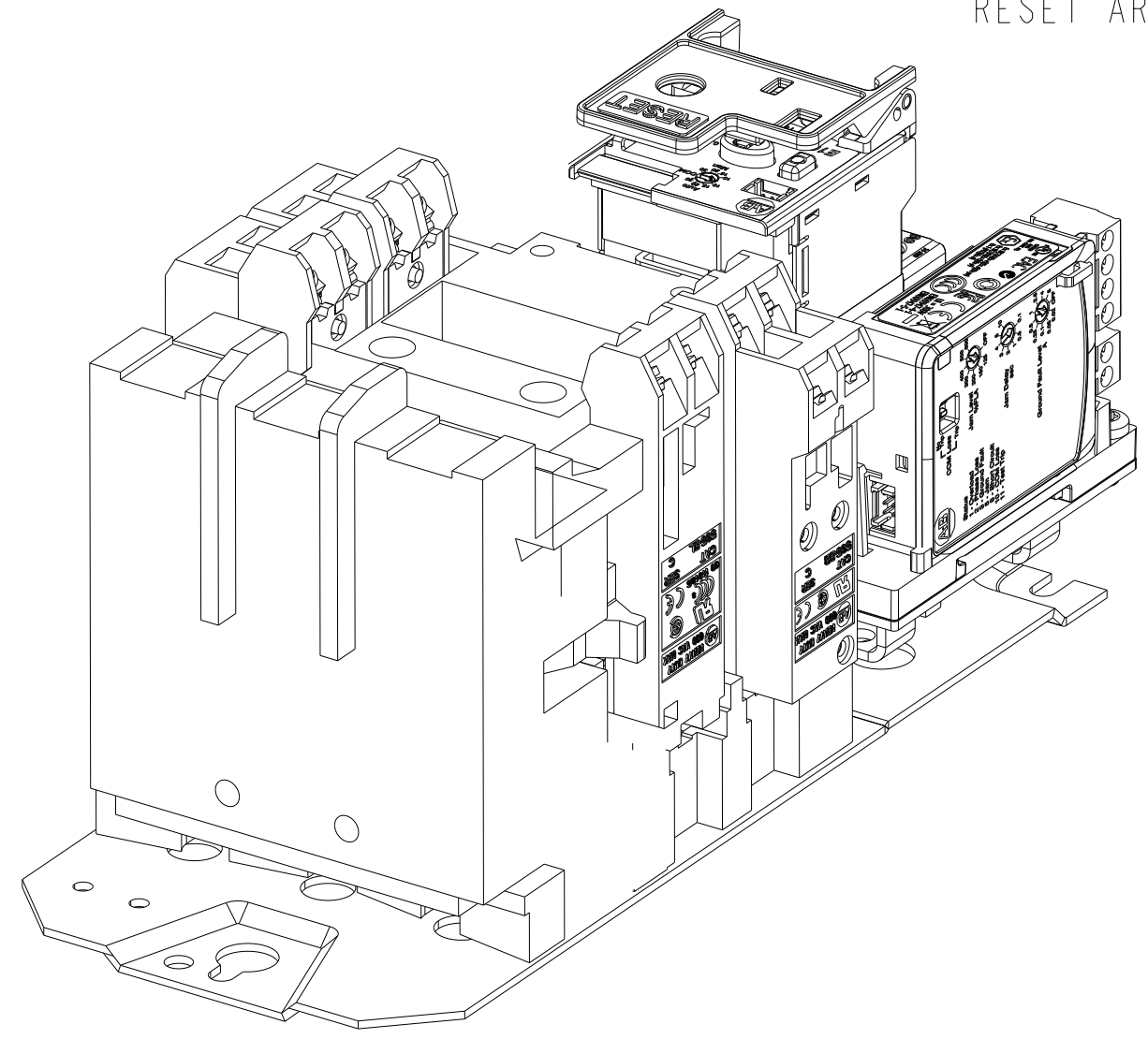
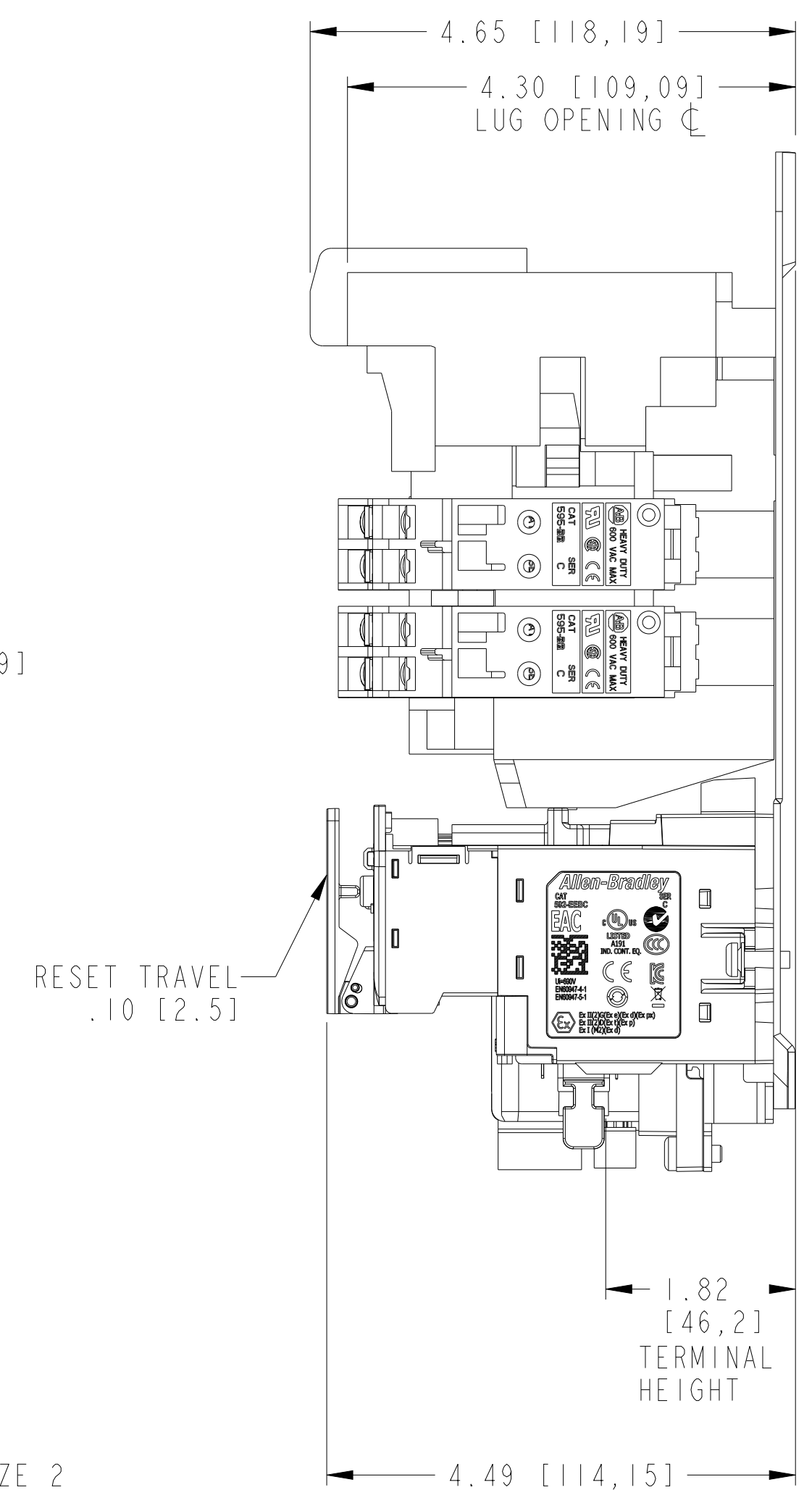
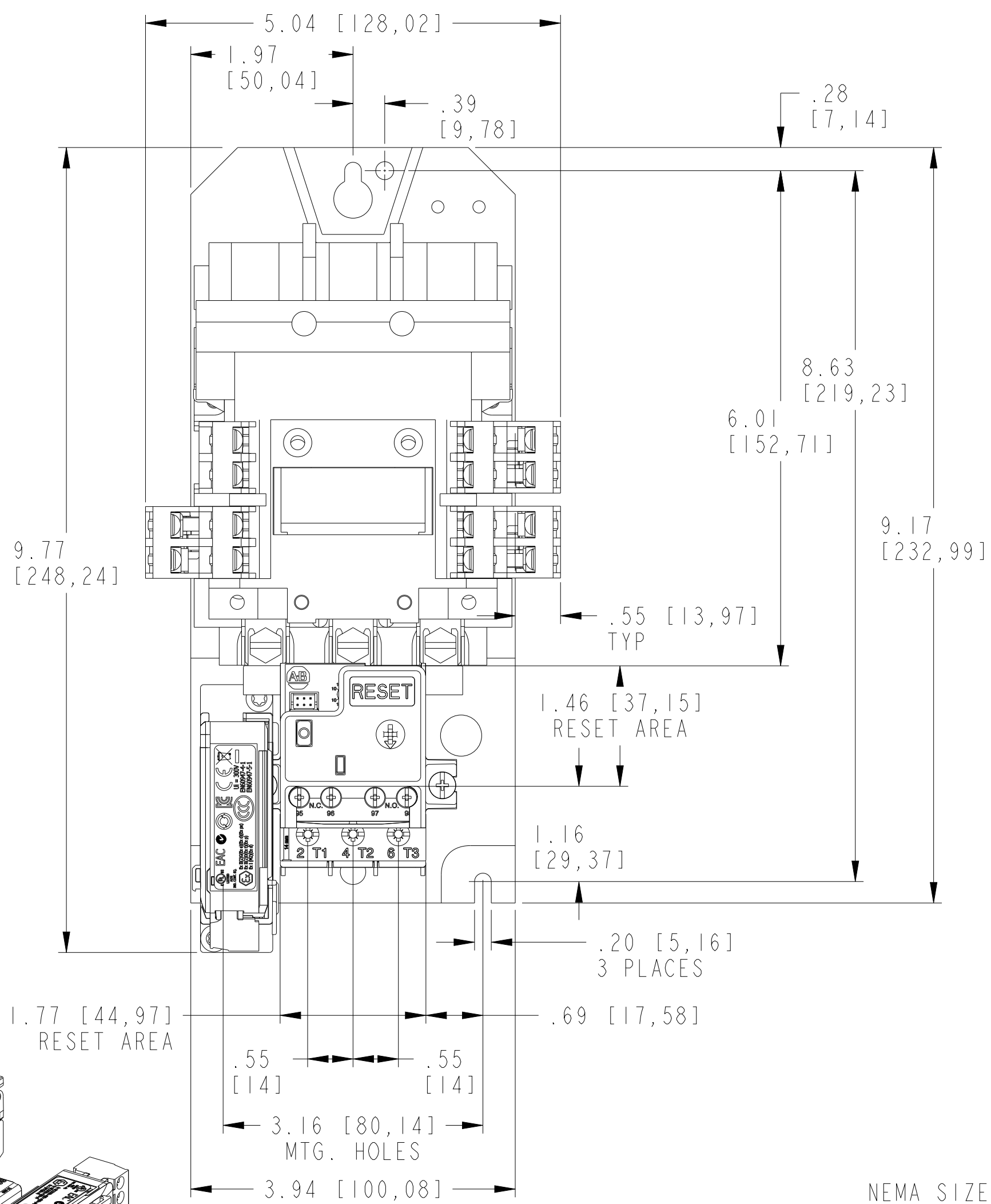
10003306223 CAD MODEL

Rockwell Automation
 DIMENSION DRAWING FOR
 BUL 193, E100 ELECTRONIC OVERLOAD RELAY
 USED WITH BUL. 500 SIZE 0/1/2 CONTACTOR
 Drawn by: LEQUENTI Date: 2022-01-15

CONFIDENTIAL AND PROPRIETARY INFORMATION.
 THIS DOCUMENT CONTAINS CONFIDENTIAL AND PROPRIETARY
 INFORMATION OF ROCKWELL AUTOMATION, INC. AND MAY
 NOT BE USED, COPIED OR DISCLOSED TO OTHERS, EXCEPT
 WITH THE AUTHORIZED WRITTEN PERMISSION OF ROCKWELL
 AUTOMATION, INC.
 Sheet 3 Of 4
 Size DIR Ver
C 10003306610 00

1 2 3 4 5 6 7 8

A
B
C
D
E
F
G
H



NEMA SIZE 2

RESET TRAVEL
.10 [2.5]

10003306548 CAD MODEL

Rockwell Automation

**DIMENSION DRAWING FOR
BUL 193, E100 ELECTRONIC OVERLOAD RELAY
USED WITH BUL. 500 SIZE 0/1/2 CONTACTOR**

DESCRIPTION

Drawn by: LEQUENTI Date: 2022-01-15

CONFIDENTIAL AND PROPRIETARY INFORMATION.
THIS DOCUMENT CONTAINS CONFIDENTIAL AND PROPRIETARY
INFORMATION OF ROCKWELL AUTOMATION, INC. AND MAY
NOT BE USED, COPIED OR DISCLOSED TO OTHERS, EXCEPT
WITH THE AUTHORIZED WRITTEN PERMISSION OF ROCKWELL
AUTOMATION, INC.

Sheet 4 Of 4

Size DIR Ver

C 10003306610 00