

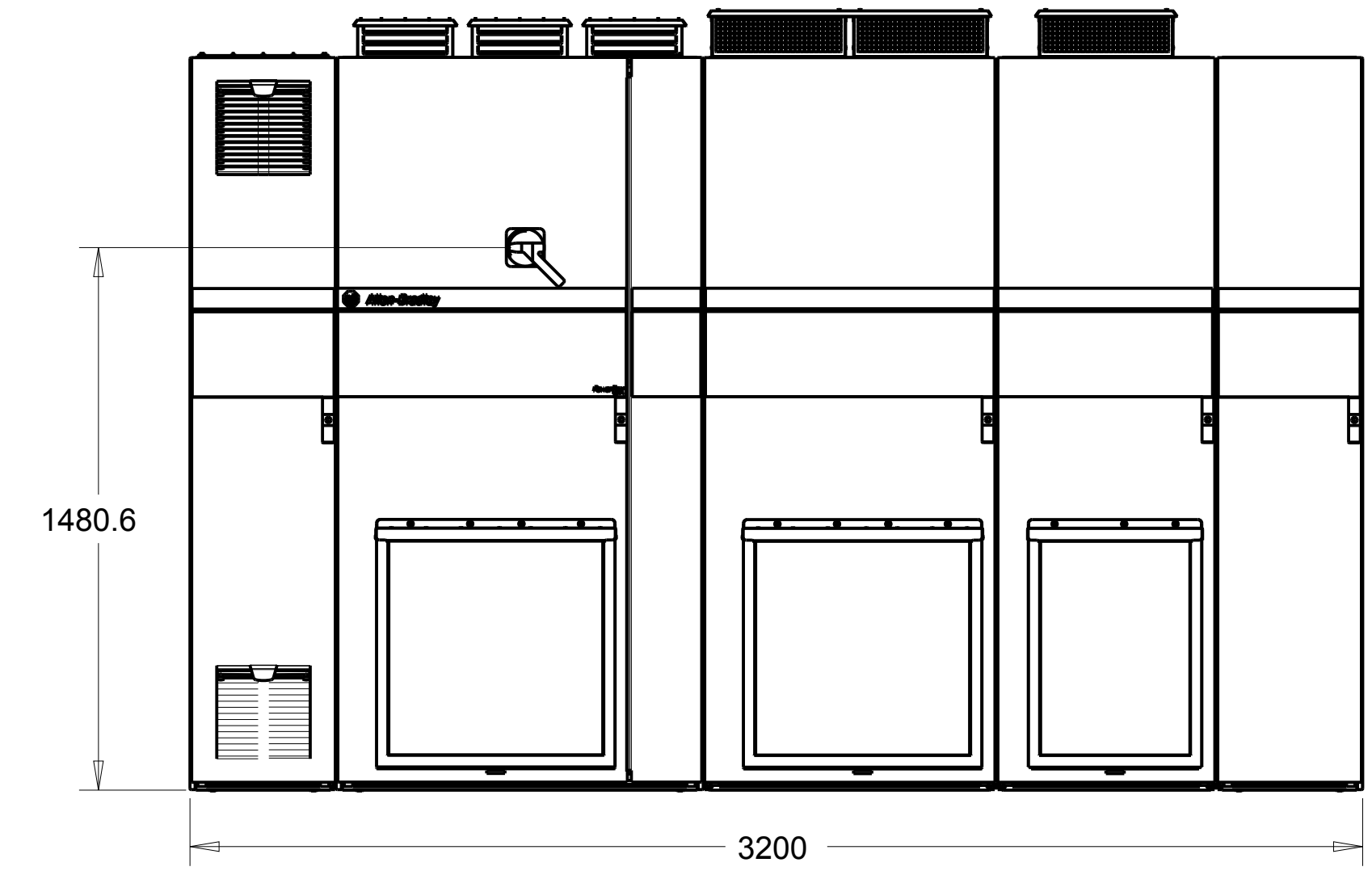
FIBER ROUTING
ENTRY WIRE BAY
400MM

INPUT BAY
1000MM

POWER BAY
800MM

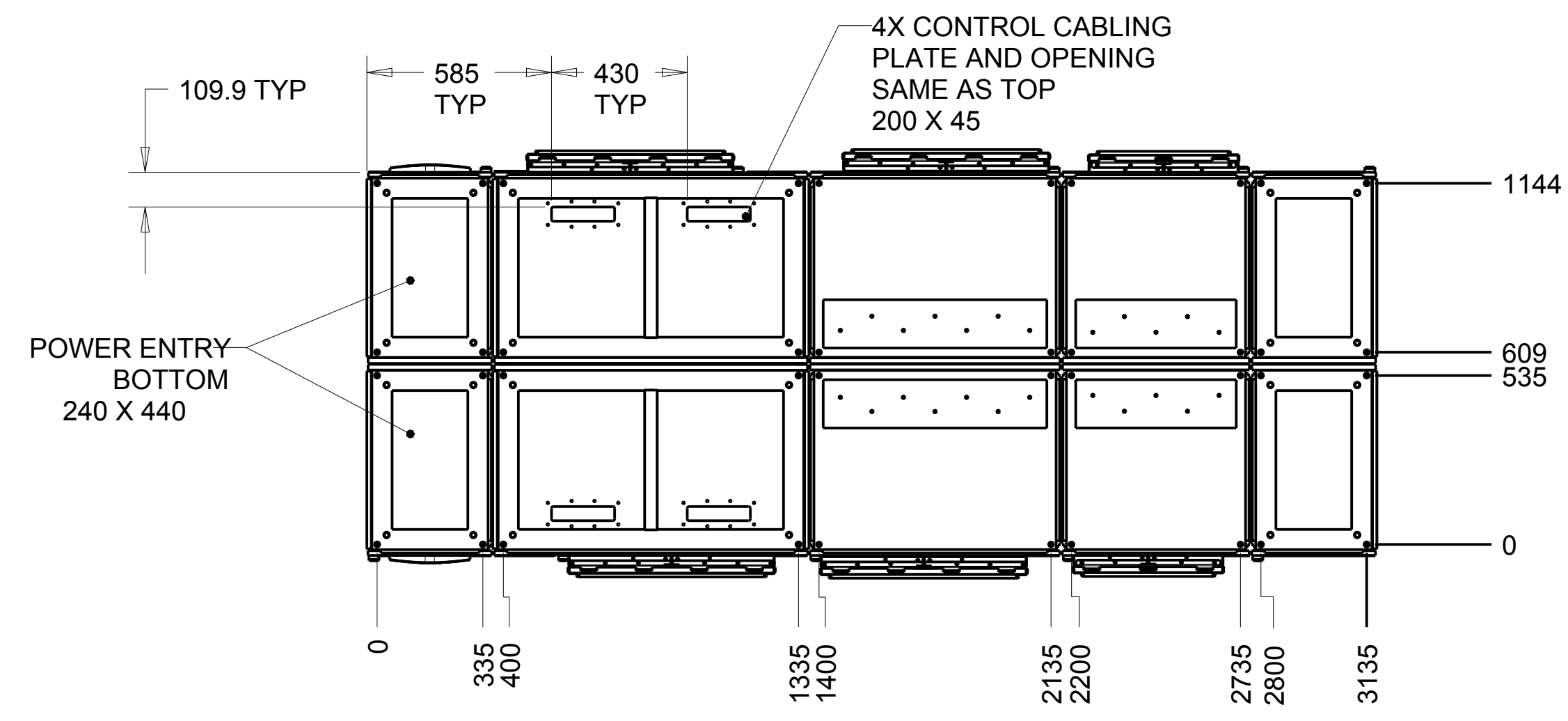
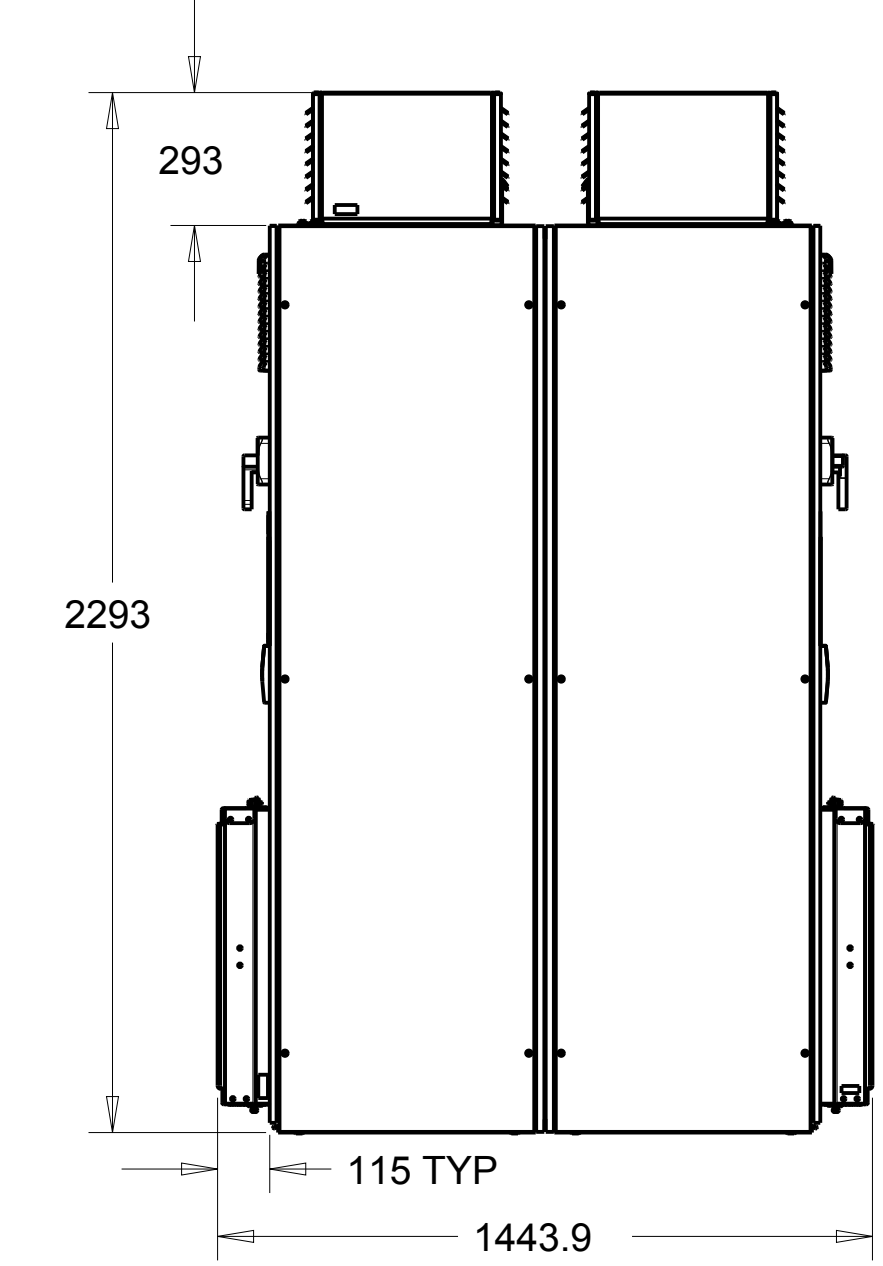
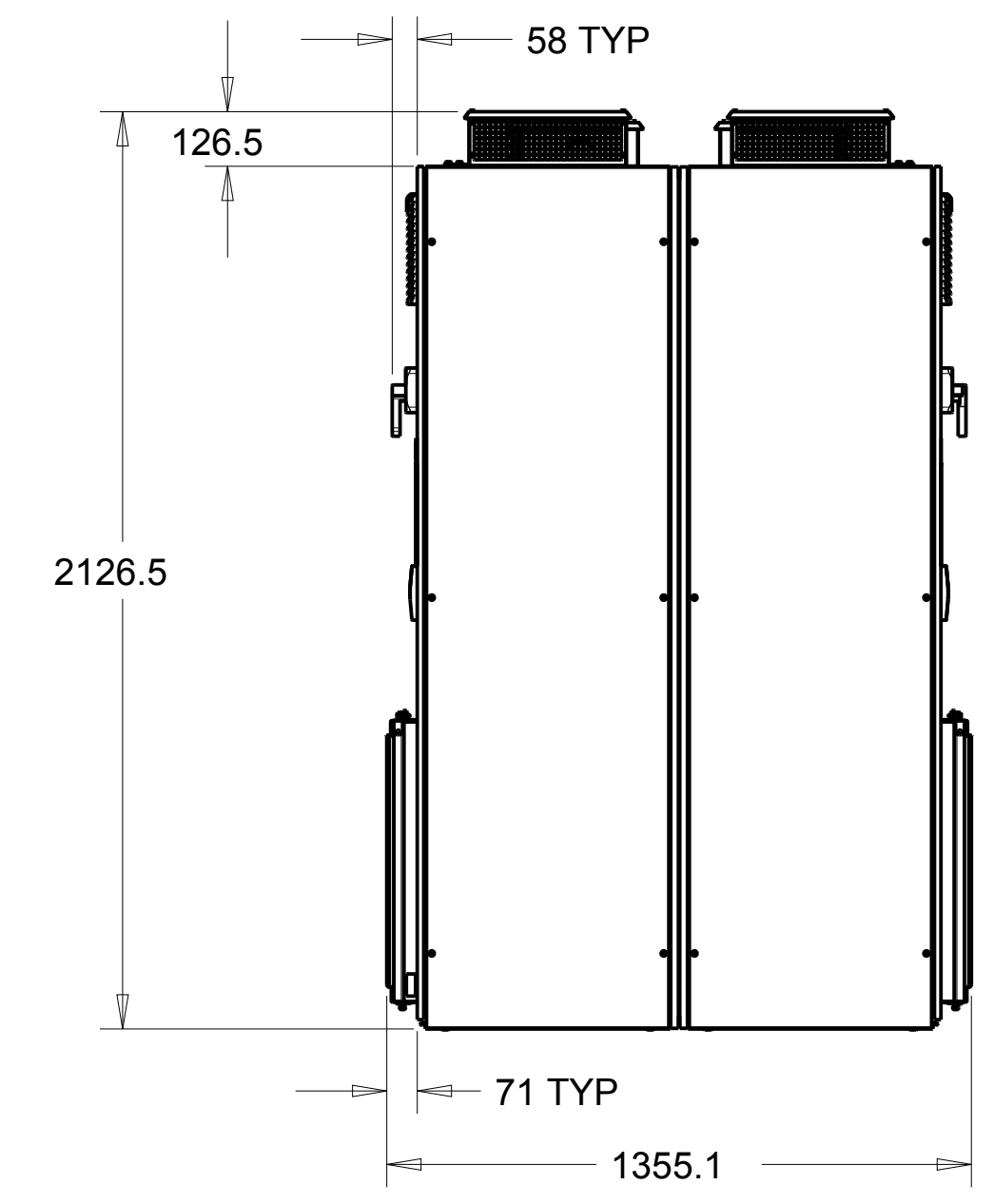
POWER BAY
600MM

DC VOLTAGE
BALANCE BAY
400MM



IP21/UL TYPE 1

IP54/UL TYPE 12



NOTES:

- ENCLOSURE SYSTEM IS 2000MM TALL AND 600MM DEEP
- PLEASE CHECK ROCKWELLAUTOMATION.LITERATURE.COM FOR ADDITIONAL INFORMATION ON THE POWERFLEX 755T DRIVES.
- DRIVE SIZE SHOWN:

INPUT VOLTAGE	NORMAL DUTY RATING
400	1844 kW
480	2039 kW
600	1875 kW
690	1994 kW

DIMENSIONS IN MM
UNLESS OTHERWISE SPECIFIED
DIMENSIONS & TOLERANCING IN ACCORDANCE WITH ASME Y14.5-2009
ALL UNTOLERANCED DIMENSIONS ARE BASIC AND CONTROLLED BY CAD MODEL AND CONTROLLED SIMULTANEOUSLY.

Rockwell Automation

PF755TM COMMON BUS SUPPLIES FRAME13 B2B INSTALLATION SPECIFICATION

Drawn by: MLACHAW Date: OCT-09-2017

CONFIDENTIAL AND PROPRIETARY INFORMATION
THIS DOCUMENT CONTAINS CONFIDENTIAL AND PROPRIETARY INFORMATION OF ROCKWELL AUTOMATION, INC. AND MAY NOT BE USED, COPIED OR DISCLOSED TO OTHERS, EXCEPT WITH THE AUTHORIZED WRITTEN PERMISSION OF ROCKWELL AUTOMATION, INC.

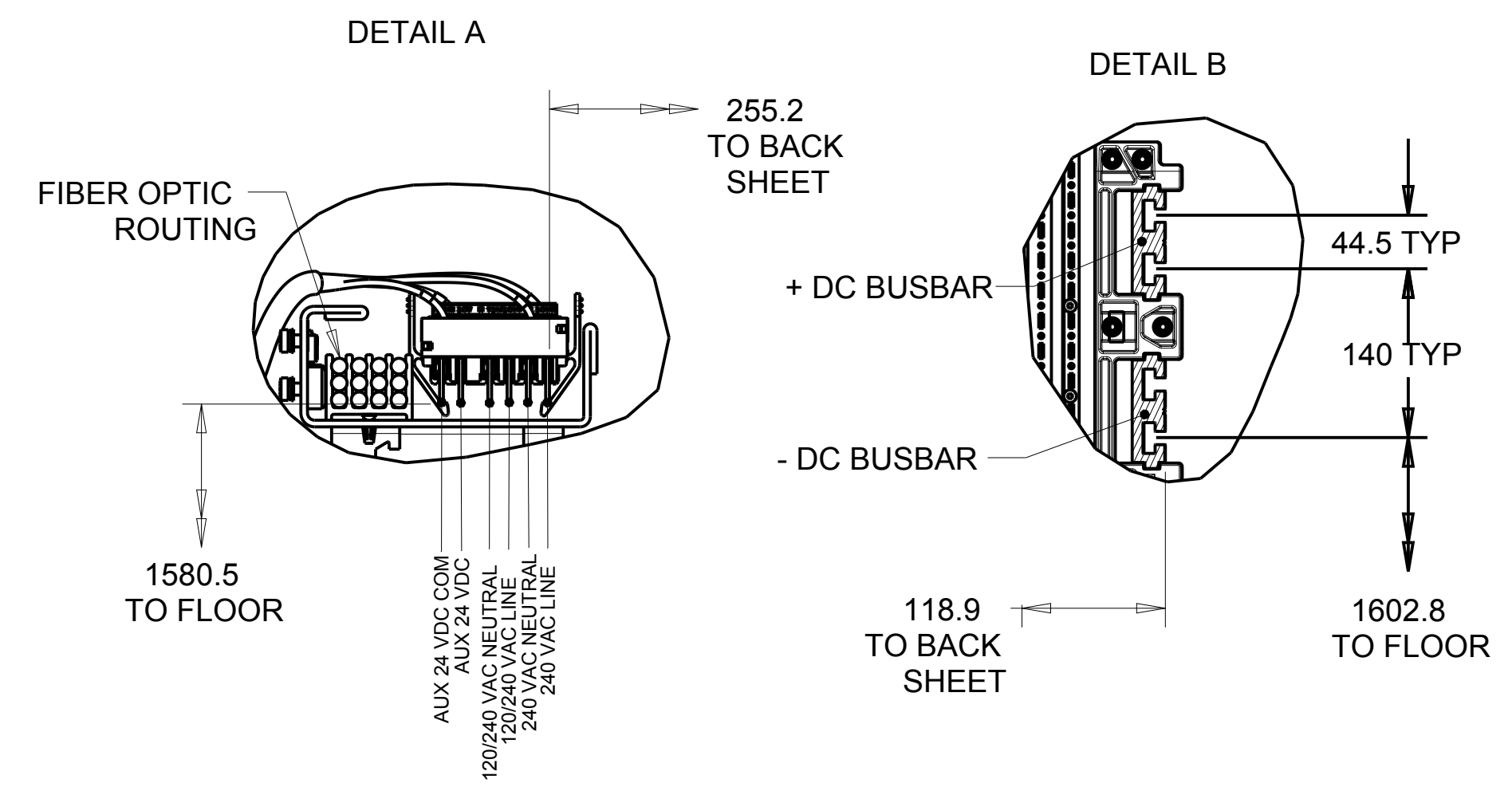
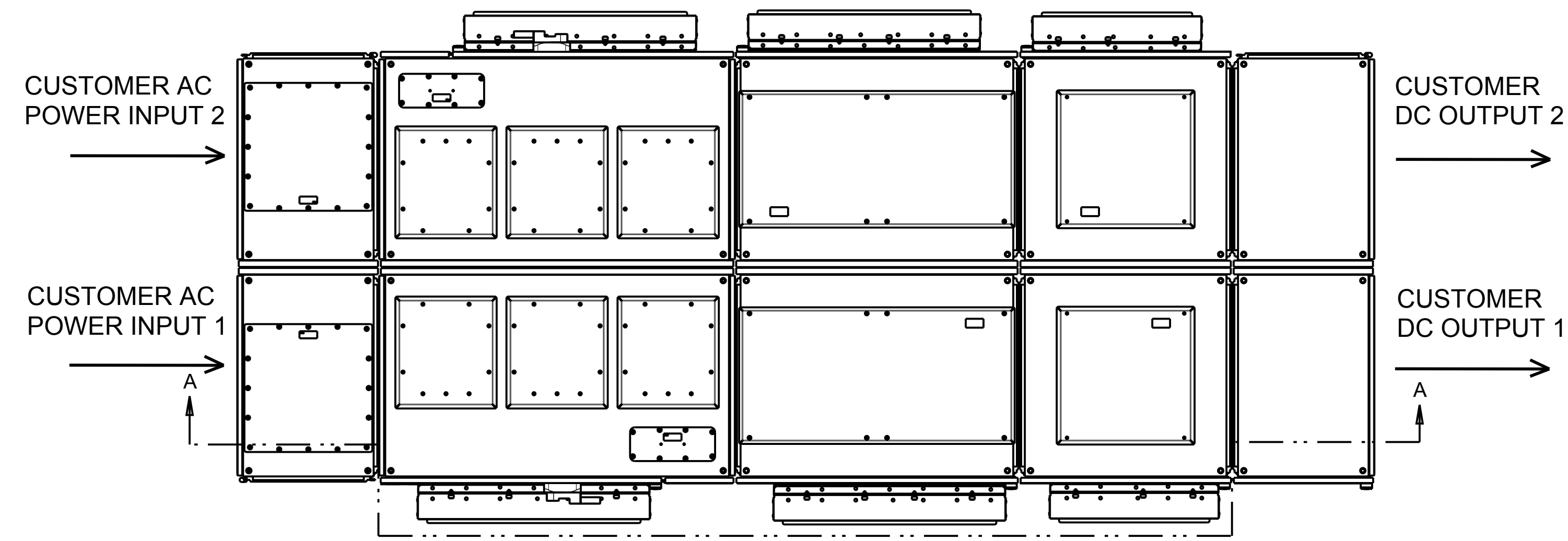
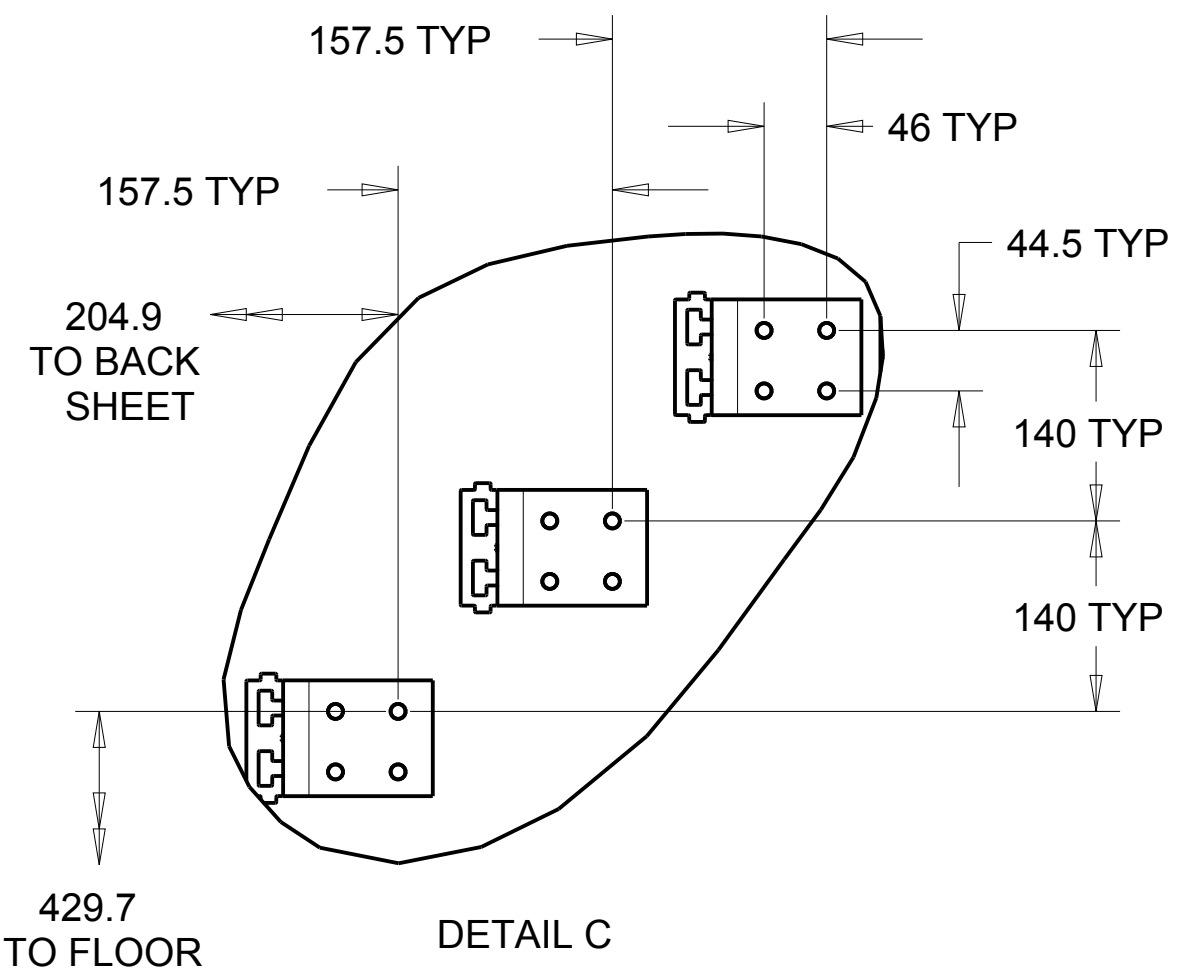
Sheet 1 Of 2

Size: D Ver: 00

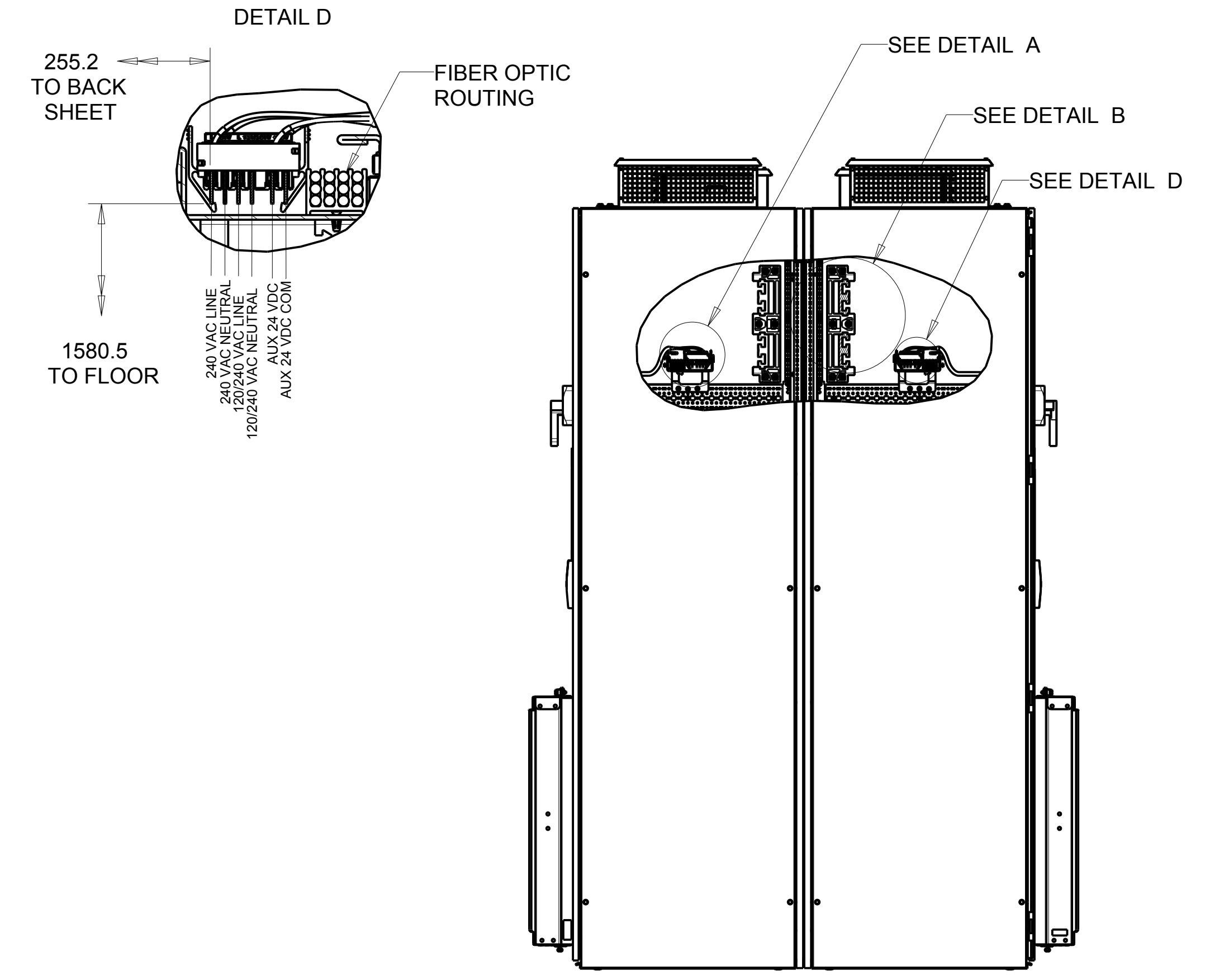
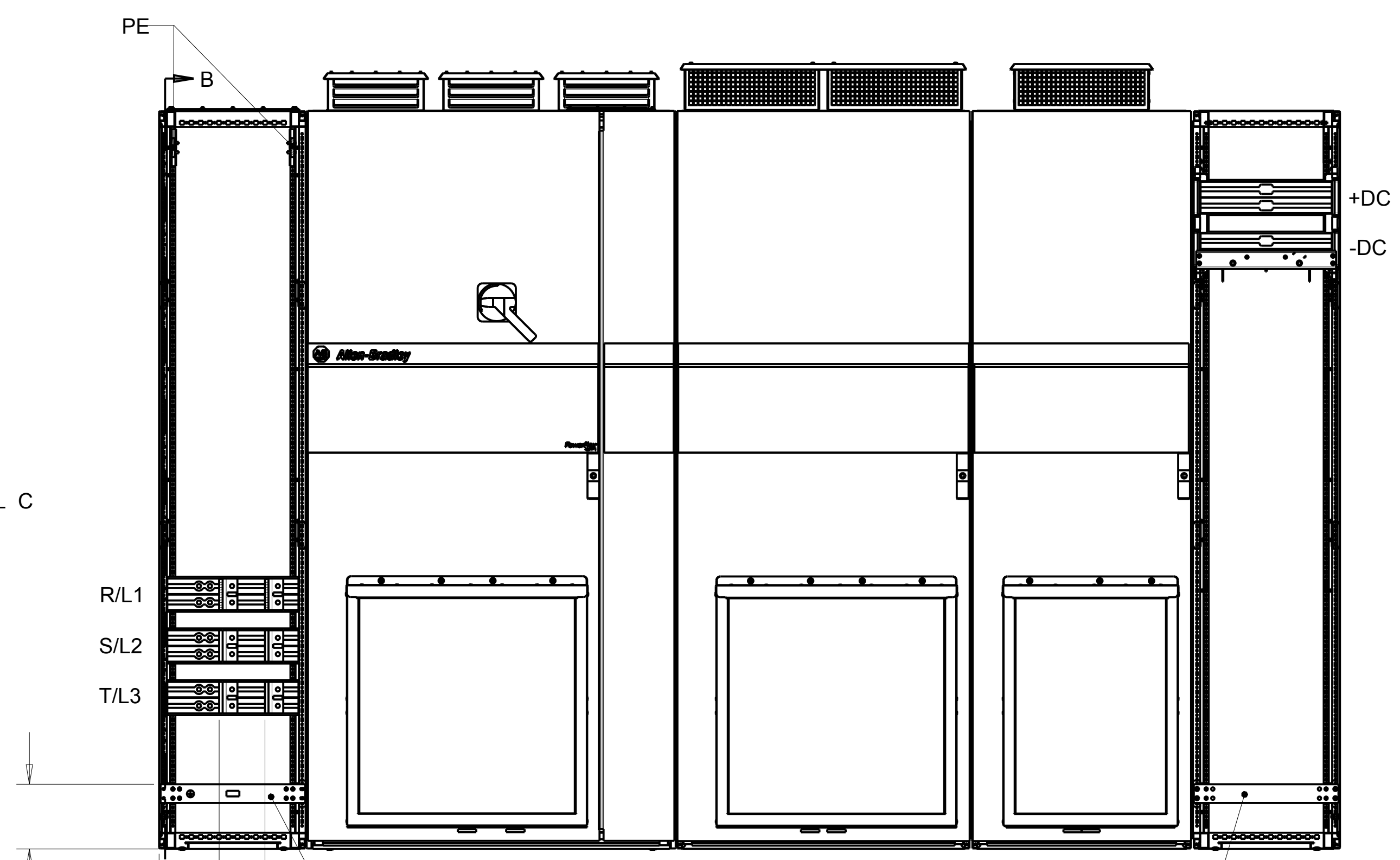
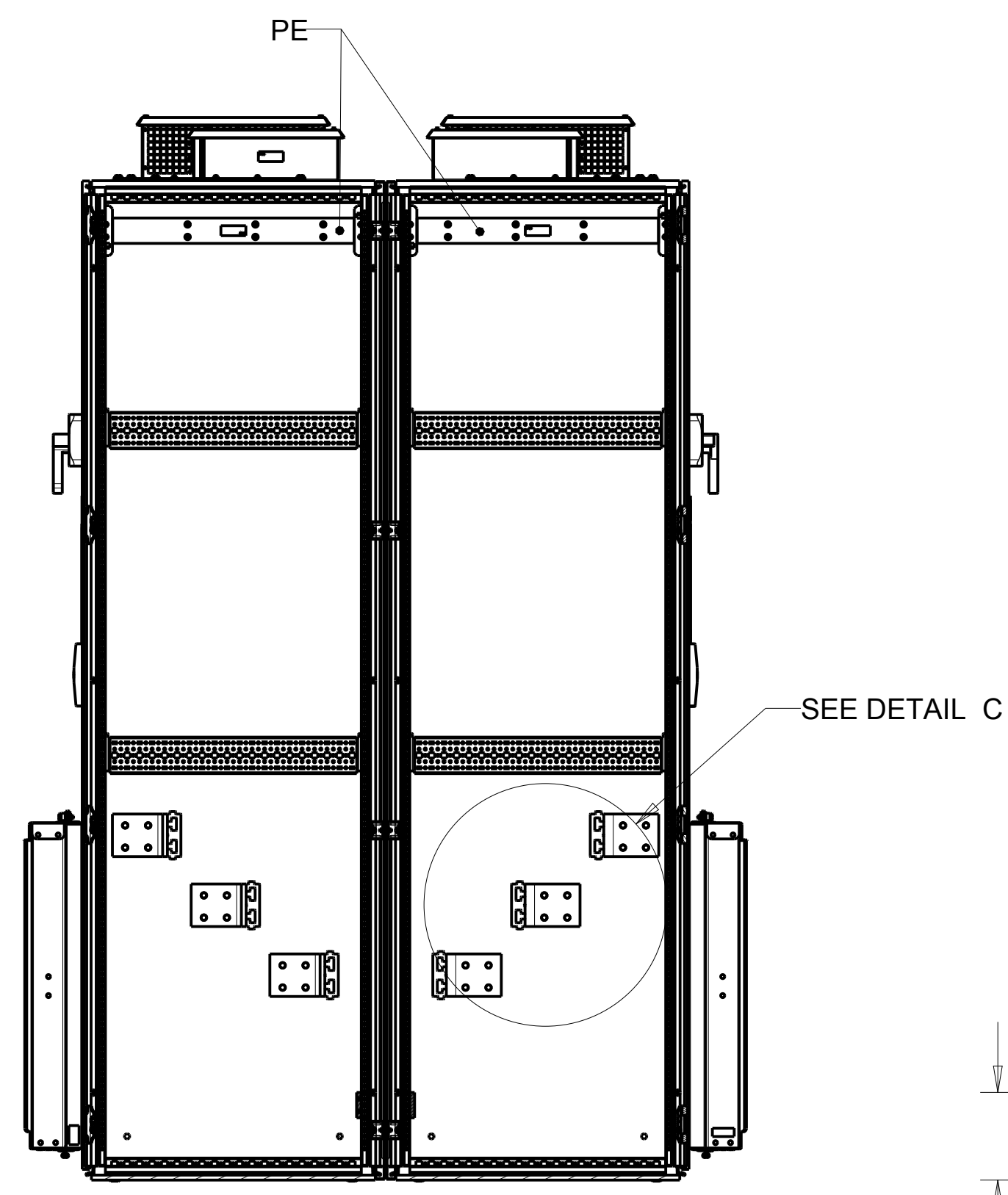
10003448273

1 2 3 4 5 6 7 8

A
B
C
D
E
F
G
H



FIBER ROUTING ENTRY WIRE BAY 400MM
 INPUT BAY 1000MM
 POWER BAY 800MM
 POWER BAY 600MM
 DC VOLTAGE BALANCE BAY 400MM



NOTES:
 1. GROUND BUSBARS ARE 10MM THICK

DIMENSIONS IN MM
 UNLESS OTHERWISE SPECIFIED
 DIMENSIONS & TOLERANCING IN ACCORDANCE WITH ASME Y14.5-2009
 ALL UNTOLERANCED DIMENSIONS ARE BASIC AND CONTROLLED BY CAD MODEL AND CONTROLLED SIMULTANEOUSLY.

		CONFIDENTIAL AND PROPRIETARY INFORMATION THIS DOCUMENT CONTAINS CONFIDENTIAL AND PROPRIETARY INFORMATION OF ROCKWELL AUTOMATION, INC. AND MAY NOT BE USED, COPIED OR DISCLOSED TO OTHERS, EXCEPT WITH THE AUTHORIZED WRITTEN PERMISSION OF ROCKWELL AUTOMATION, INC.	
		Sheet 2 Of 2	Ver
PF755TM COMMON BUS SUPPLIES FRAME13 B2B INSTALLATION SPECIFICATION		Size	DIR
Drawn by: MLACHAW		Date: OCT-09-2017	10003448273
			00