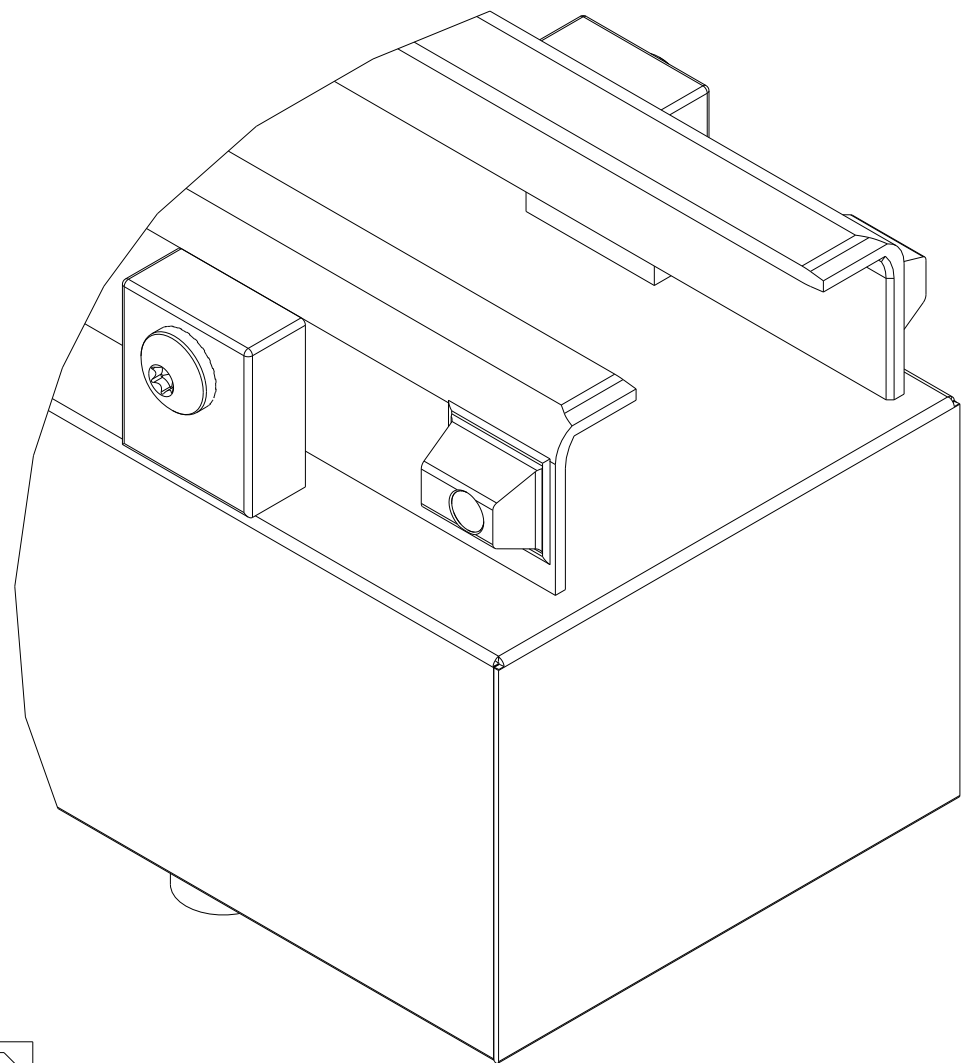
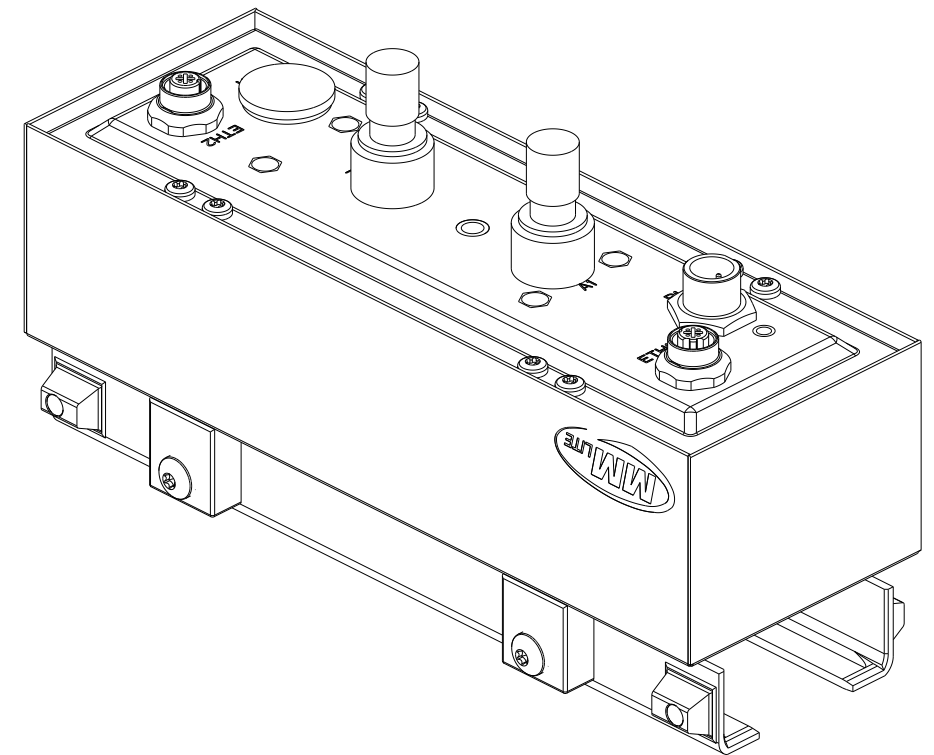
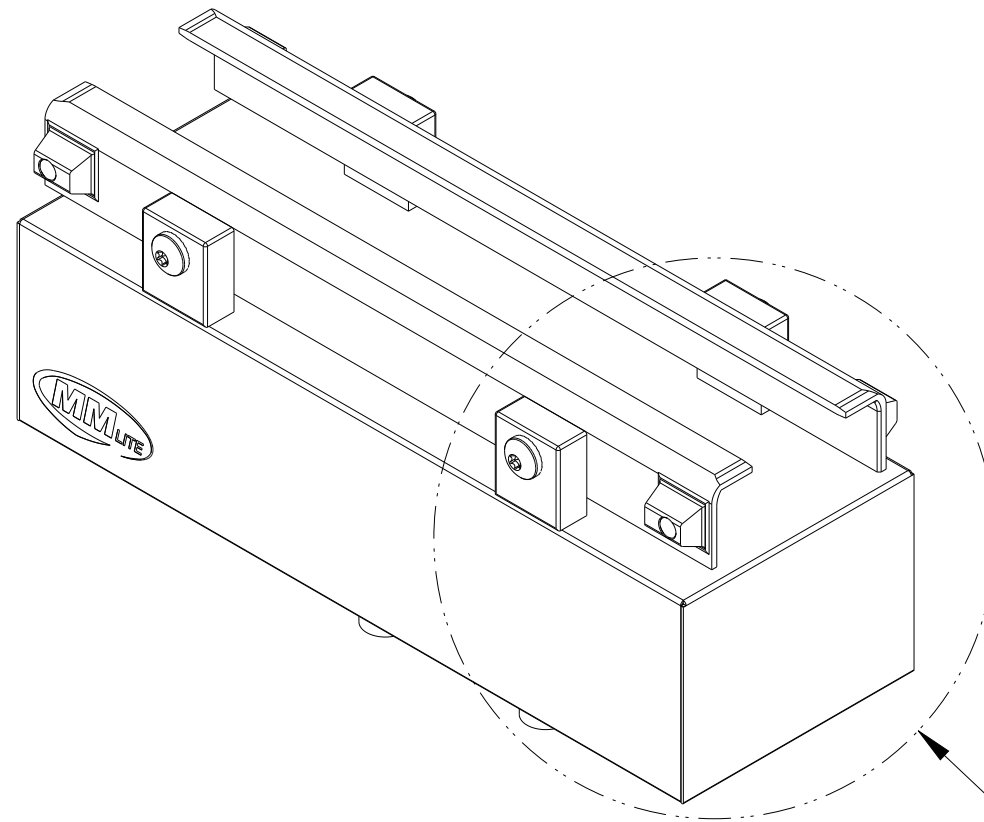


PART NUMBER SUMMARY/DIR NO: 10004147679		
MATERIAL MASTER NO.	3D DIR	DESCRIPTION
PN-506760	10004703311	ASSY, MOT, 1/4M, SS RAILS, G4E-AC, ML
PN-506764	10004703314	ASSY, MOT, 1/4M, SS RL, SYNC, G4E-AC, ML

CRITICAL TO QUALITY CLASSIFICATION TABLE				
P=PERFORMANCE, F=FIT, A=ASSEMBLY				
X=IDENTIFIES APPLICABLE CLASSIFICATION(S)				
◇=ENGINEERING AND/OR MANUFACTURING REQUIREMENT				
Ⓜ=REGULATORY REQUIREMENT-CONFORMANCE IS MANDATORY				
COMMENTS	DRAWING ZONE	P	F	A
ROHS	G1-HI			X



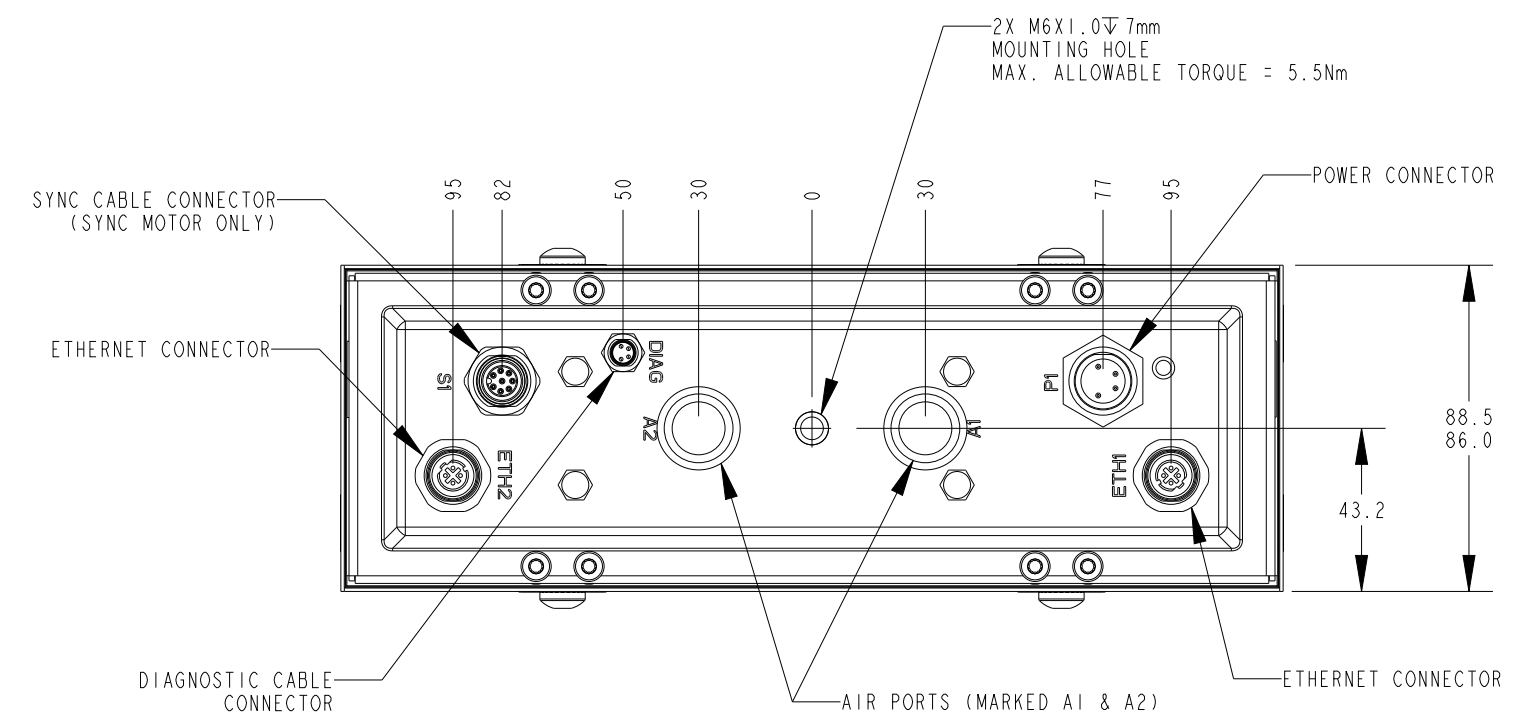
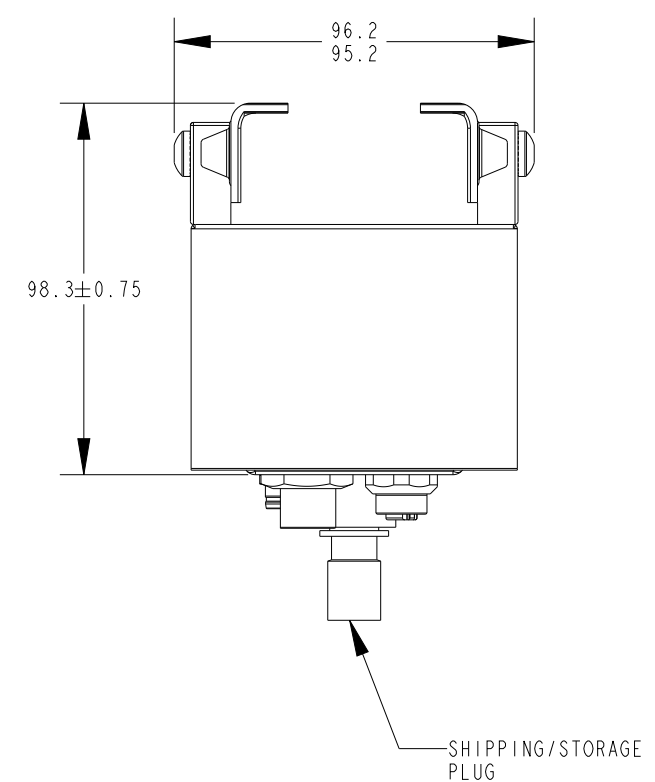
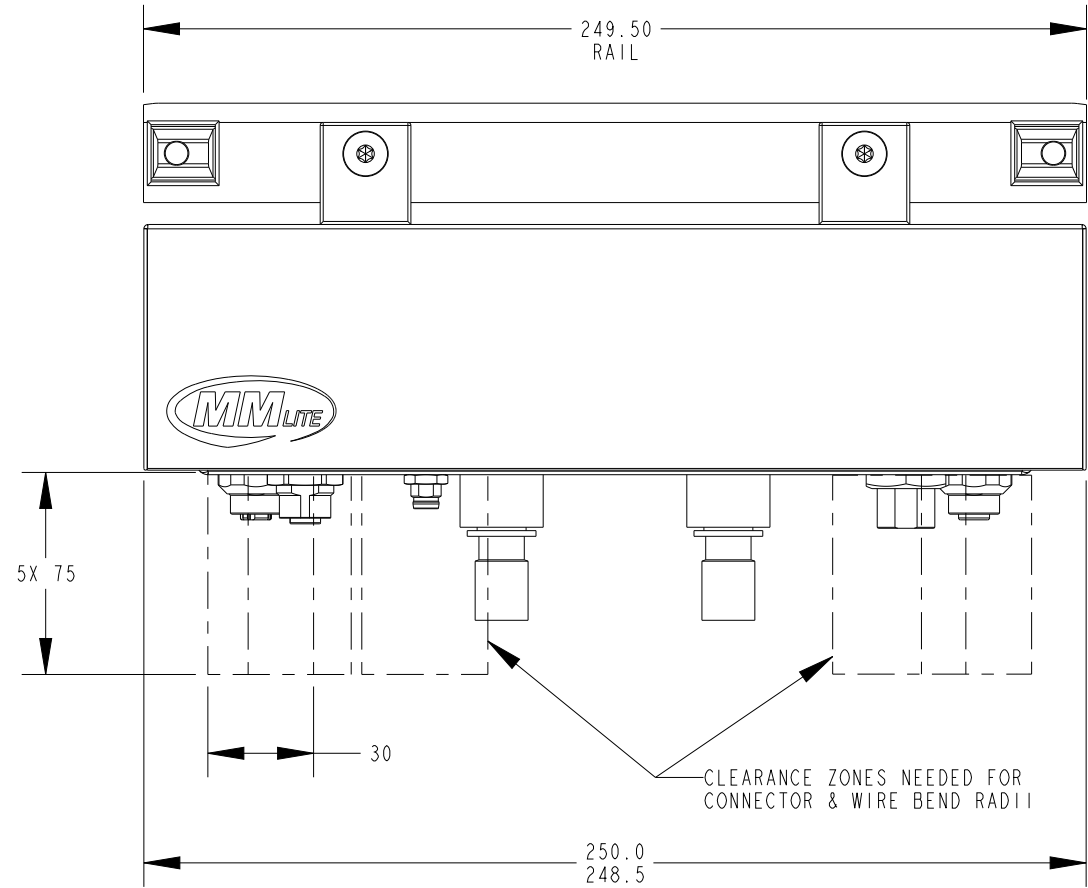
DETAIL A
SCALE 1.000



SEE DETAIL A

MUST COMPLY WITH ROCKWELL AUTOMATION ENVIRONMENTAL SPECIFICATION 970-20-01

J. PEARLMAN	1:2	XXXXX-XXX-XX	1.6	SEE BOM	10004703317	SEE TABLE		
ENGINEER	SCALE	WORKMANSHIP STANDARDS	FINISH	MATERIAL	MODEL/DIR NO.	PART/MMR NUMBER		
DIMENSION UNITS-mm		ALL UNDIMENSIONED GEOMETRIES ARE CONTROLLED BY THE CAD MODEL. IN CASE OF DIMENSION DISCREPANCY, CAD MODEL OVERRIDES.		Rockwell Automation		CONFIDENTIAL AND PROPRIETARY INFORMATION. THIS DOCUMENT CONTAINS CONFIDENTIAL AND PROPRIETARY INFORMATION OF ROCKWELL AUTOMATION, INC. AND MAY NOT BE USED, COPIED OR DISCLOSED TO OTHERS, EXCEPT WITH THE AUTHORIZED WRITTEN PERMISSION OF ROCKWELL AUTOMATION, INC.		
DIMENSIONS APPLY BEFORE SURFACE TREATMENT.		THIRD ANGLE PROJECTION					DATE: 2019-03-19	SHEET 1 OF 2
UNSPECIFIED TOLERANCES ARE AS FOLLOWS:				ICD, MOT, 1/4M, SS RAILS, G4E-AC, ML		SIZE		
X.XX ±0.13 X.X ±0.25 X. ±0.5 DEG ±0.5° TORQUE ±25%						DIR	VER	
CREATED BY: GASALKA				CHANGED BY: *****		B	10004147679	01



Rockwell Automation

CONFIDENTIAL AND PROPRIETARY INFORMATION.
THIS DOCUMENT CONTAINS CONFIDENTIAL AND PROPRIETARY
INFORMATION OF ROCKWELL AUTOMATION, INC. AND MAY
NOT BE USED, COPIED OR DISCLOSED TO OTHERS, EXCEPT
WITH THE AUTHORIZED WRITTEN PERMISSION OF ROCKWELL
AUTOMATION, INC.

DESCRIPTION	ICD, MOT, 1/4M, SS RAILS, G4E-AC, ML		DATE: 2019-03-19	SHEET 2 OF 2
	CREATED BY: GASALKA	CHANGED BY: *****	SIZE: B	DIR: 10004147679 VER: 01