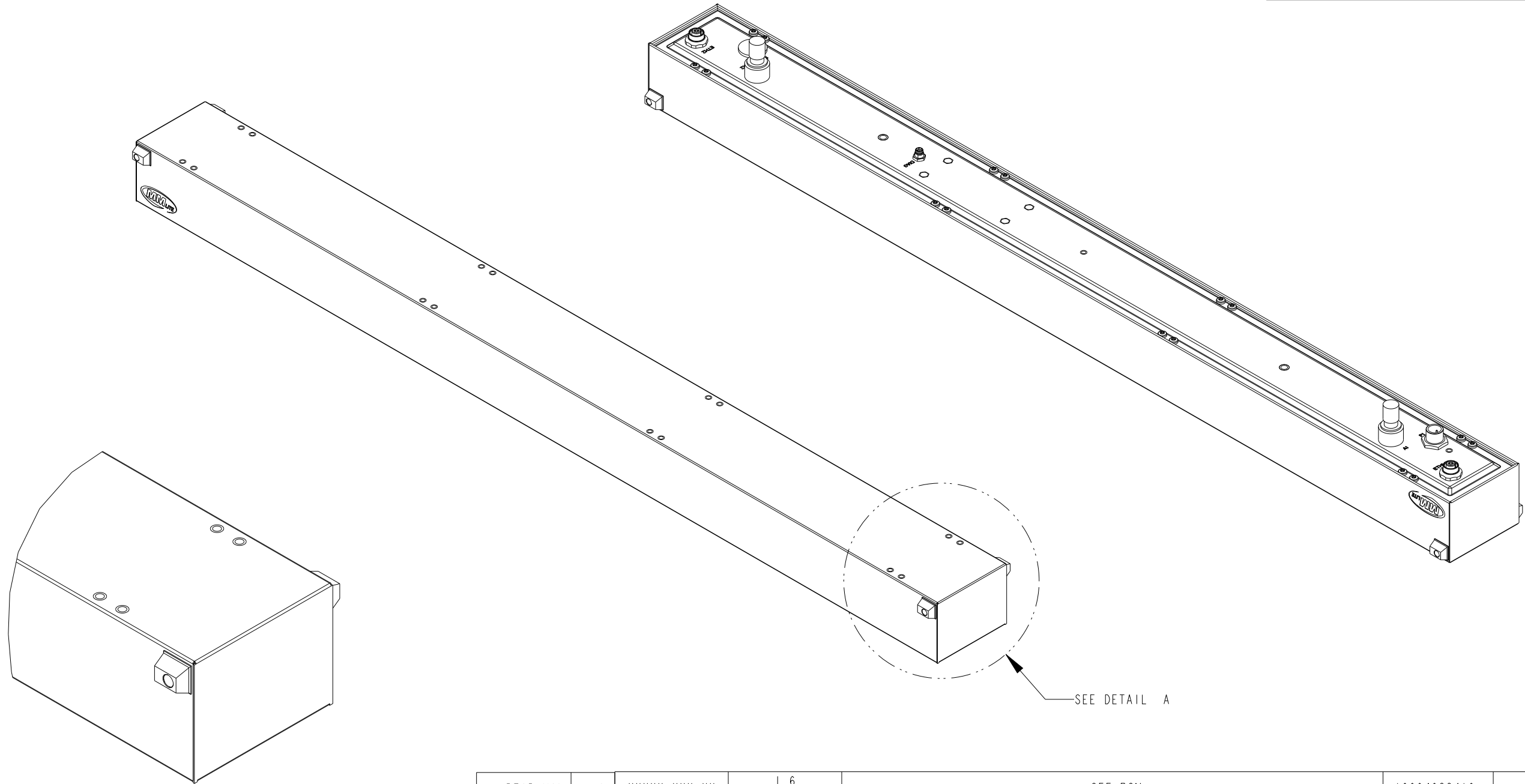


PART NUMBER SUMMARY / DIR NO:10004147689		
MATERIAL MASTER NO.	3D DIR	DESCRIPTION
PN-506752	10004683403	ASSY, MOT, IM, NO RAILS, G4E-AC, ML (SHOWN)
PN-506755	10004683411	ASSY, MOT, IM, NO RLS, SYNC, G4E-AC, ML

CRITICAL TO QUALITY CLASSIFICATION TABLE					
P=PERFORMANCE, F=FIT, A=ASSEMBLY X=IDENTIFIES APPLICABLE CLASSIFICATION(S) ◇=ENGINEERING AND/OR MANUFACTURING REQUIREMENT Ⓜ=REGULATORY REQUIREMENT-CONFORMANCE IS MANDATORY					
COMMENTS	DRAWING ZONE	P	F	A	R
ROHS	G1-HI				X



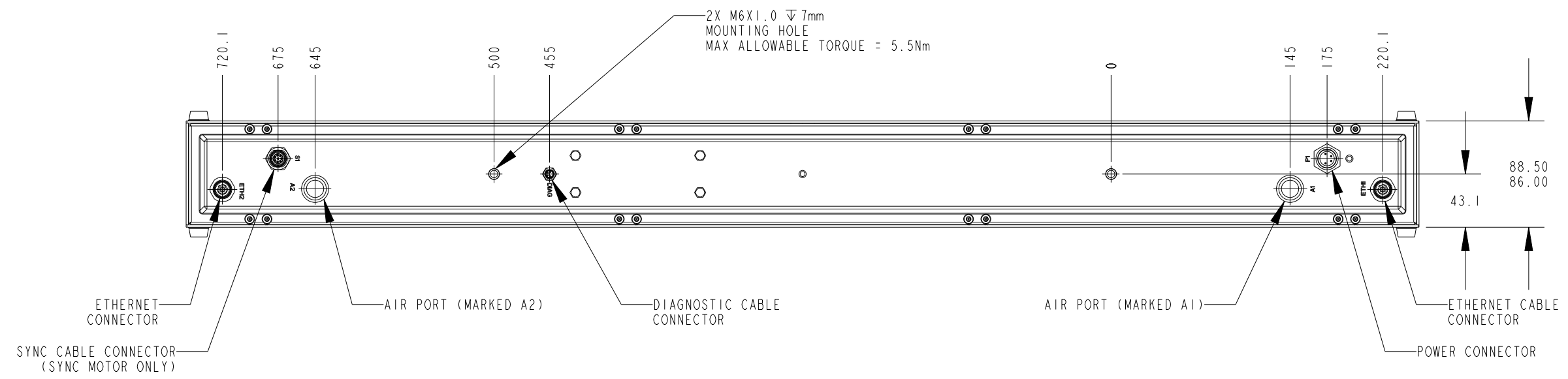
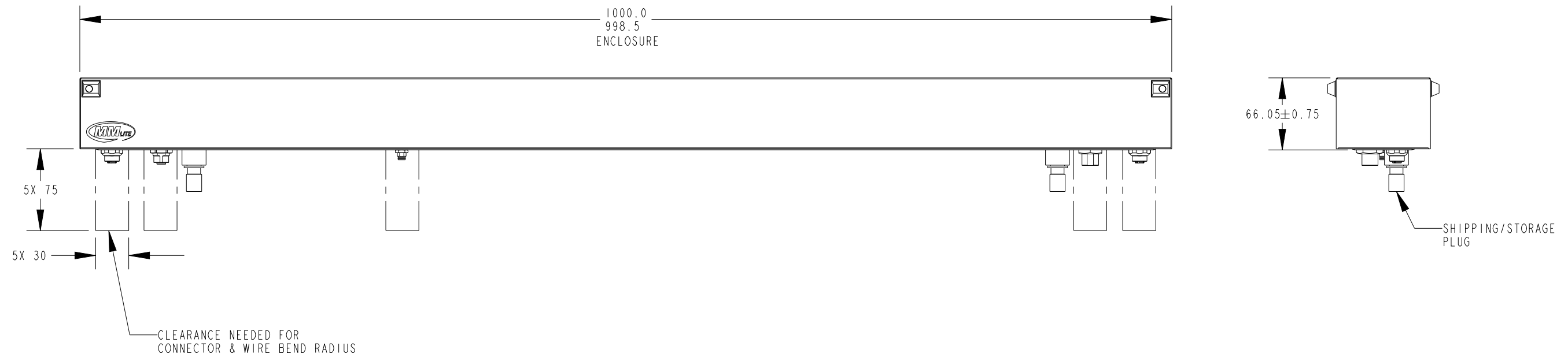
DETAIL A
SCALE 0.500

SEE DETAIL A

MUST COMPLY WITH ROCKWELL AUTOMATION ENVIRONMENTAL SPECIFICATION 970-20-01

- NOTES:
- ALL DIMENSIONS ARE IN MM
 - BREAK ALL SHARP EDGES
 - CLEAN AND DEBURR
 - USE MIN BEND RADII

J. PEARLMAN	1:4	XXXXX-XXX-XX	1.6	SEE BOM	10004683410	SEE TABLE	
ENGINEER	SCALE	WORKMANSHIP STANDARDS	FINISH	MATERIAL	MODEL/DIR NO.	PART/MMR NUMBER	
DIMENSION UNITS-mm DIMENSIONS APPLY BEFORE SURFACE TREATMENT.		ALL UNDIMENSIONED GEOMETRIES ARE CONTROLLED BY THE CAD MODEL. IN CASE OF DIMENSION DISCREPANCY, CAD MODEL OVERRIDES.		<h1>Rockwell Automation</h1>		CONFIDENTIAL AND PROPRIETARY INFORMATION. THIS DOCUMENT CONTAINS CONFIDENTIAL AND PROPRIETARY INFORMATION OF ROCKWELL AUTOMATION, INC. AND MAY NOT BE USED, COPIED OR DISCLOSED TO OTHERS, EXCEPT WITH THE AUTHORIZED WRITTEN PERMISSION OF ROCKWELL AUTOMATION, INC.	
UNSPECIFIED TOLERANCES ARE AS FOLLOWS: X.XX ±0.13 X.X ±0.25 X. ±0.5 DEG ±0.5° TORQUE ±25%		THIRD ANGLE PROJECTION 					DATE: 2019-03-01
DESCRIPTION ICD, MOT, 1M, NO RAILS, G4E-AC, ML				CREATED BY: ABHAYAR	CHANGED BY: *****	SIZE DIR B 10004147689	VER 01



**Rockwell
Automation**

CONFIDENTIAL AND PROPRIETARY INFORMATION.
THIS DOCUMENT CONTAINS CONFIDENTIAL AND PROPRIETARY
INFORMATION OF ROCKWELL AUTOMATION, INC. AND MAY
NOT BE USED, COPIED OR DISCLOSED TO OTHERS, EXCEPT
WITH THE AUTHORIZED WRITTEN PERMISSION OF ROCKWELL
AUTOMATION, INC.

DESCRIPTION	ICD, MOT, 1M, NO RAILS, G4E-AC, ML		
	DATE: 2019-03-01	SHEET 2 OF 2	
CREATED BY: ABHAYAR	CHANGED BY: *****	SIZE	DIR
		B	10004147689
		VER	01