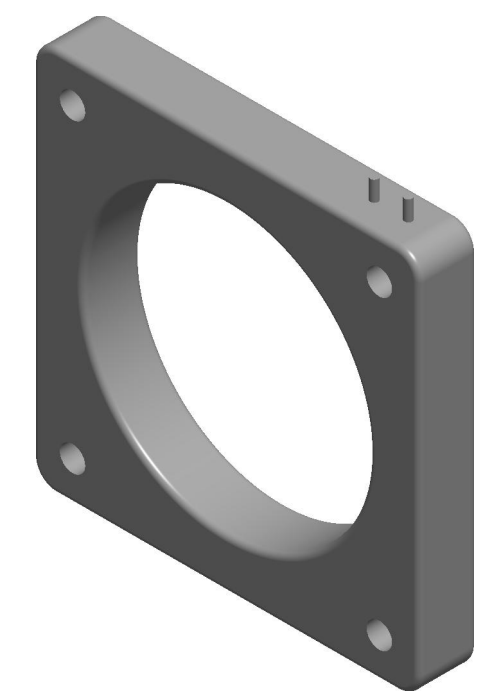
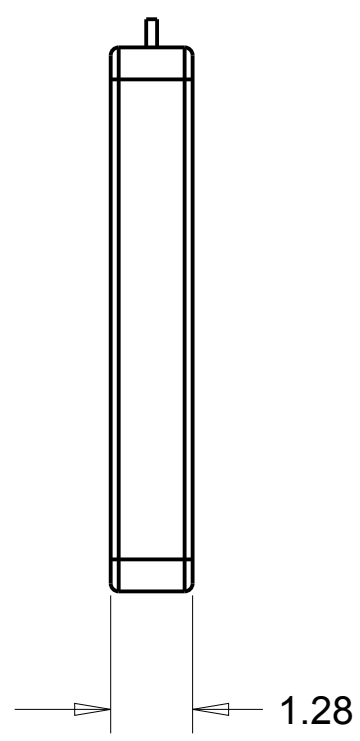
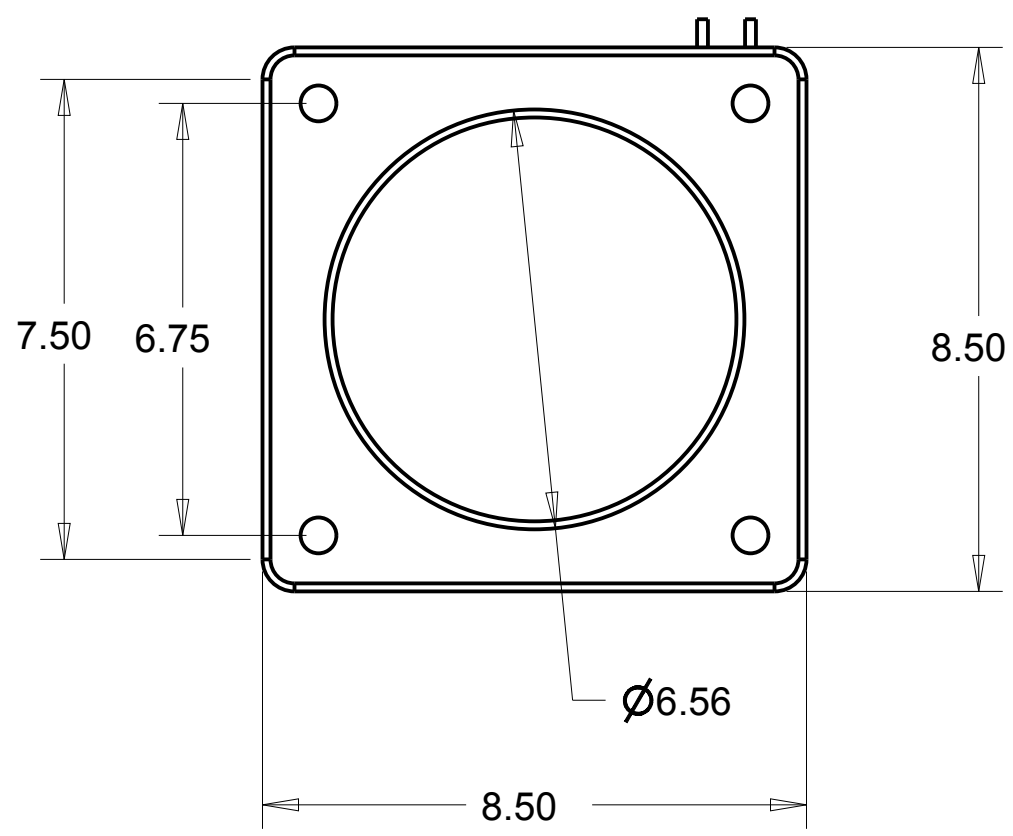


1 2 3 4 5 6 7 8

A
B
C
D
E
F
G
H



Rockwell Automation		<small>CONFIDENTIAL AND PROPRIETARY INFORMATION. THIS DOCUMENT CONTAINS CONFIDENTIAL AND PROPRIETARY INFORMATION OF ROCKWELL AUTOMATION, INC. AND MAY NOT BE USED, COPIED OR DISCLOSED TO OTHERS, EXCEPT WITH THE AUTHORIZED WRITTEN PERMISSION OF ROCKWELL AUTOMATION, INC.</small>						
DESCRIPTION	1411-125.drw 1411-125 Current Transformer		SHEET 1 OF 1					
	DRAWN BY: AMAVILA	DATE: 10-17-2018	<table border="1" style="width: 100%; border-collapse: collapse;"> <tr> <td style="text-align: center;"><small>SIZE</small></td> <td style="text-align: center;"><small>DIR</small></td> <td style="text-align: center;"><small>VER</small></td> </tr> <tr> <td style="text-align: center;">B</td> <td style="text-align: center;">10004371662</td> <td style="text-align: center;">00</td> </tr> </table>	<small>SIZE</small>	<small>DIR</small>	<small>VER</small>	B	10004371662
<small>SIZE</small>	<small>DIR</small>	<small>VER</small>						
B	10004371662	00						