

1

2

3

4

5

6

7

8

A

B

C

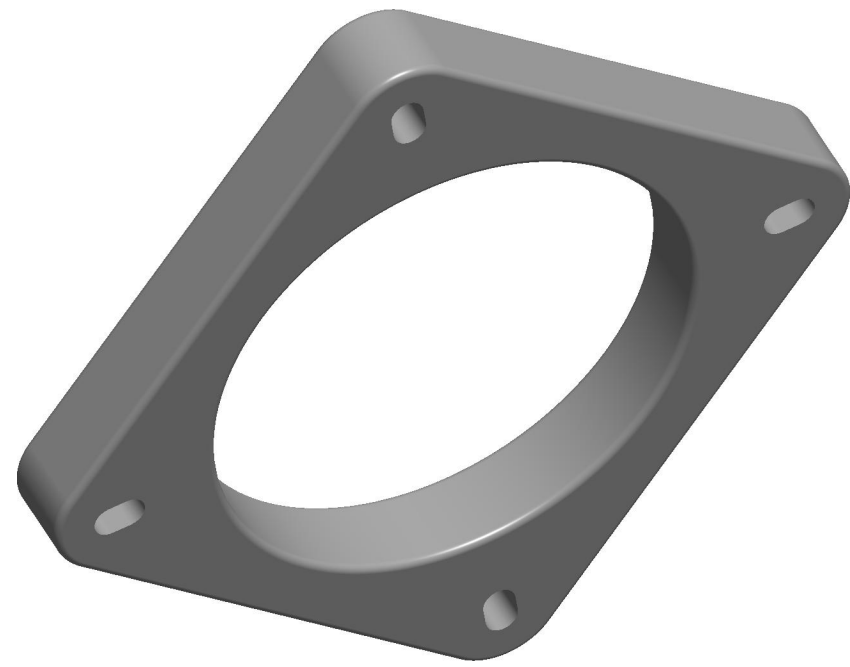
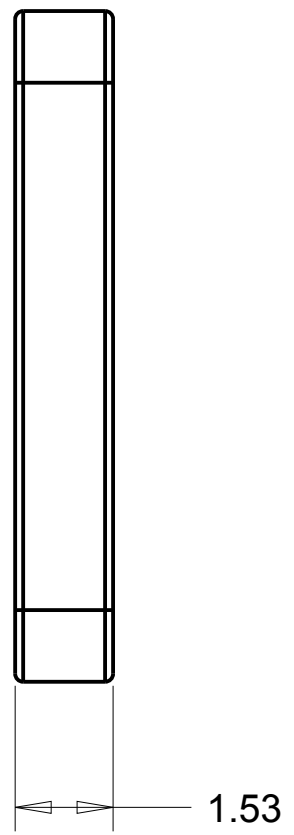
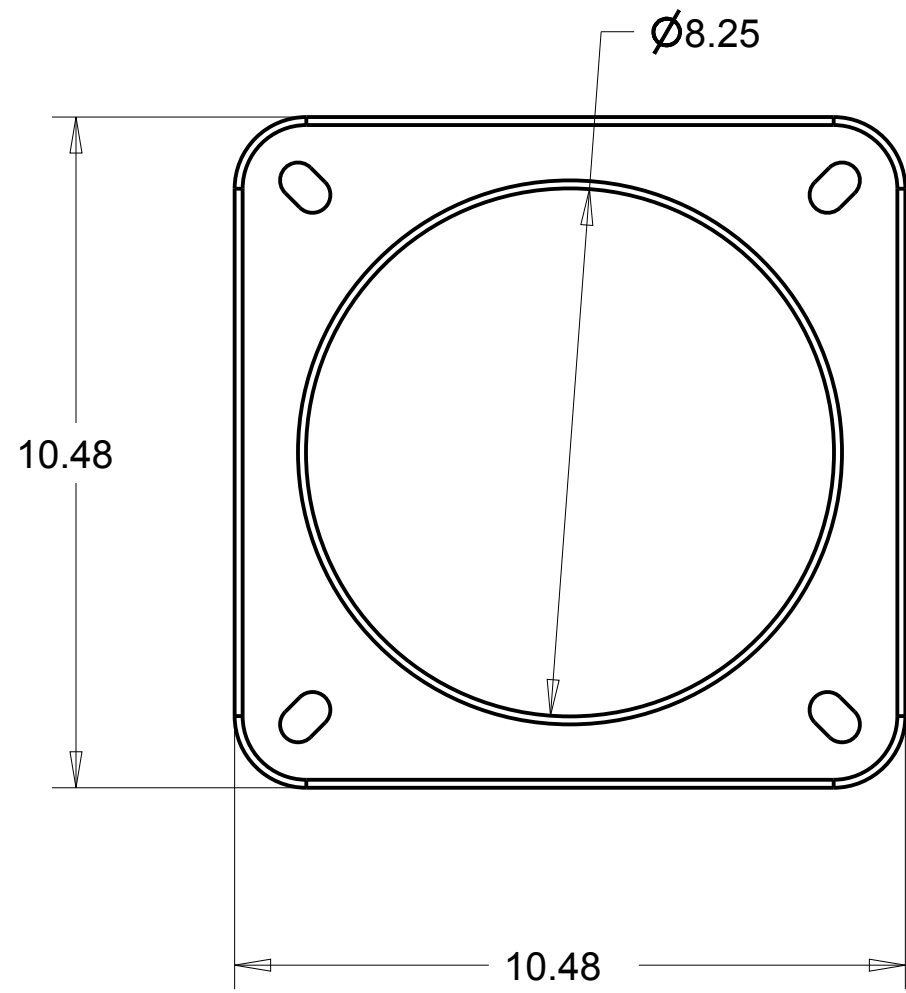
D

E

F

G

H



**Rockwell
Automation**

CONFIDENTIAL AND PROPRIETARY INFORMATION.
THIS DOCUMENT CONTAINS CONFIDENTIAL AND PROPRIETARY
INFORMATION OF ROCKWELL AUTOMATION, INC. AND MAY
NOT BE USED, COPIED OR DISCLOSED TO OTHERS, EXCEPT
WITH THE AUTHORIZED WRITTEN PERMISSION OF ROCKWELL
AUTOMATION, INC.

DESCRIPTION	1411-126 Curent Transformer 2D.drw		SHEET 1 OF 1	
	SIZE	DIR	VER	
	B	10004371727	00	
DRAWN BY: AMAVILA		DATE: 10-17-2018		