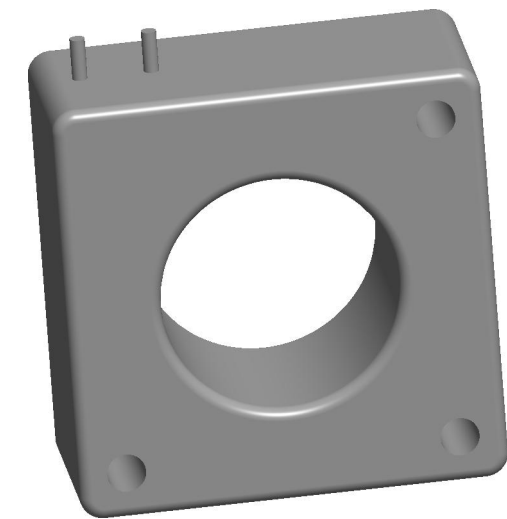
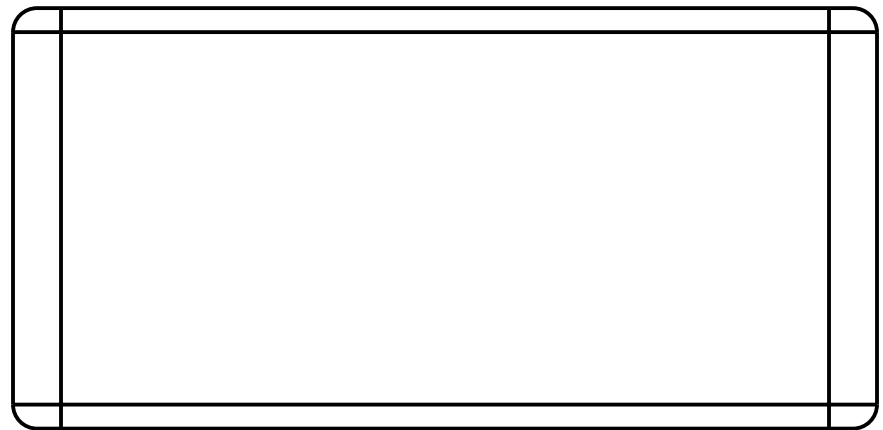
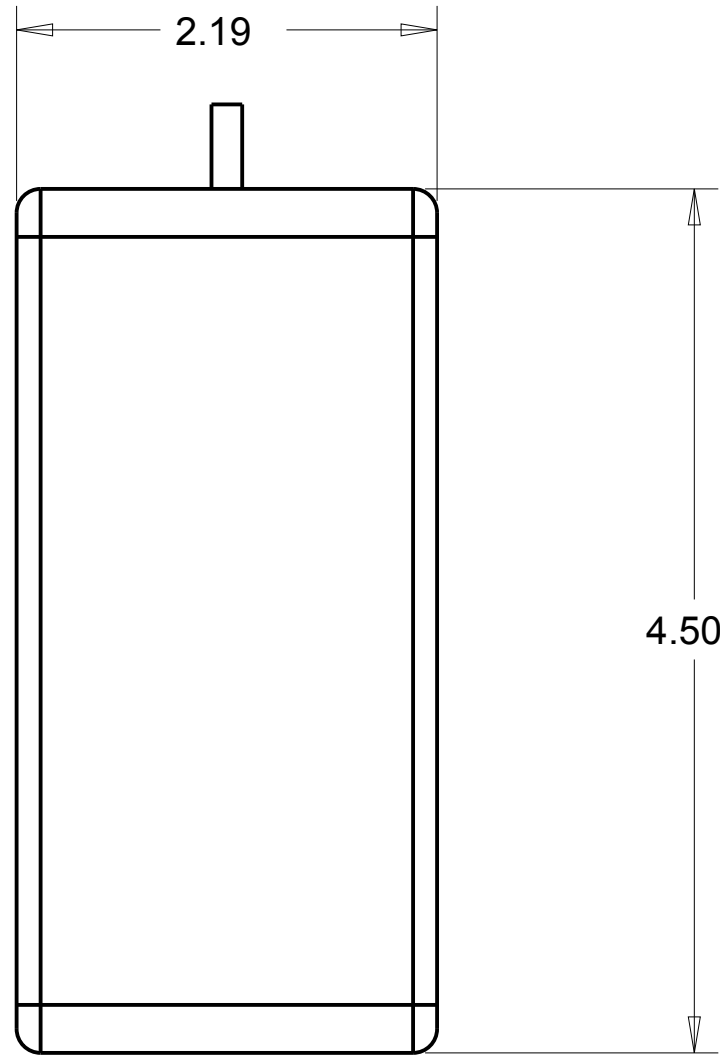
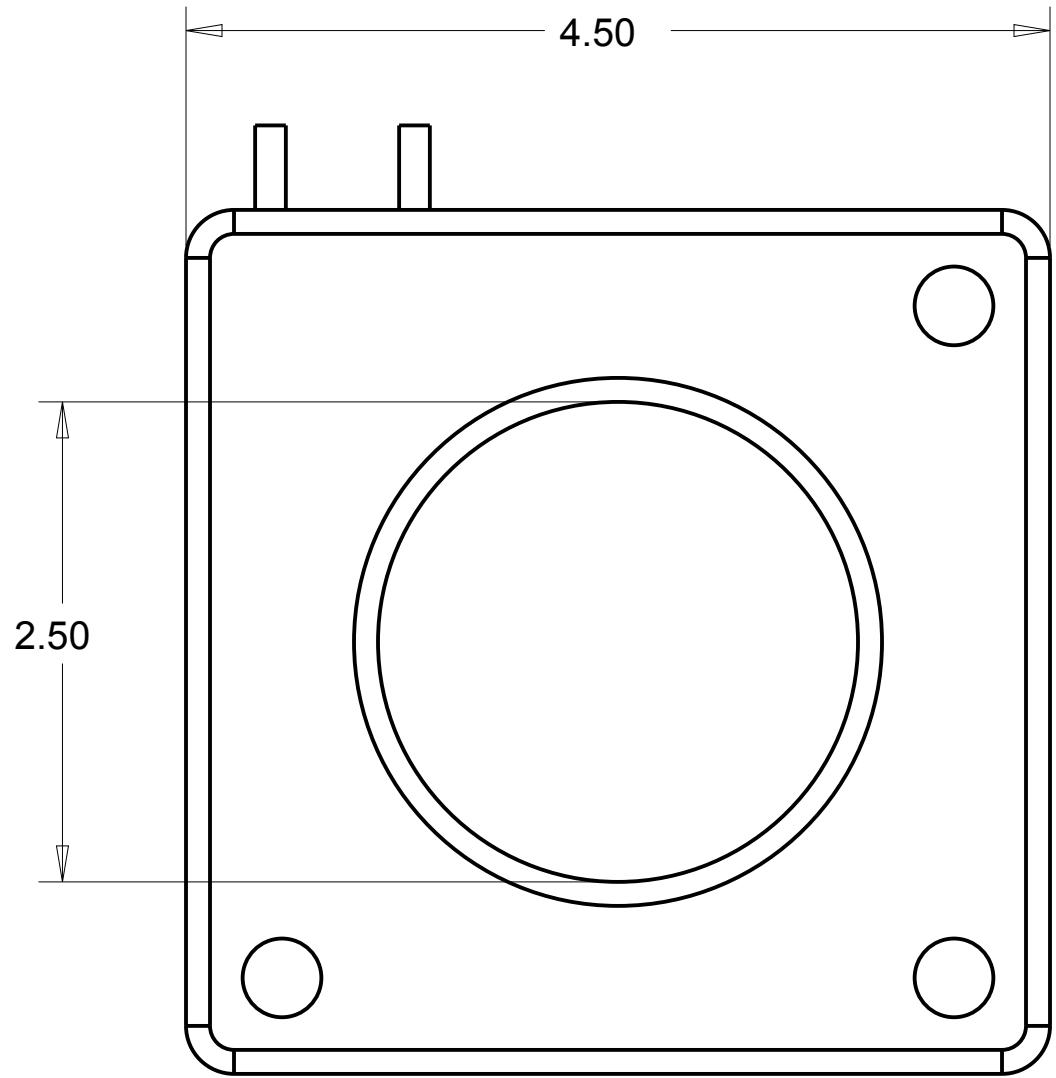


1 2 3 4 5 6 7 8

A  
B  
C  
D  
E  
F  
G  
H



SCALE 0.500

<b>Rockwell Automation</b>		CONFIDENTIAL AND PROPRIETARY INFORMATION. THIS DOCUMENT CONTAINS CONFIDENTIAL AND PROPRIETARY INFORMATION OF ROCKWELL AUTOMATION, INC. AND MAY NOT BE USED, COPIED OR DISCLOSED TO OTHERS, EXCEPT WITH THE AUTHORIZED WRITTEN PERMISSION OF ROCKWELL AUTOMATION, INC.		
DESCRIPTION	1411180sht.drw 1411-180SHT 2D Drawing		SHEET 1 OF 1	
	DRAWN BY: AMAVILA	DATE: 4/15/19	SIZE DIR <b>B</b> 10004770606	VER <b>00</b>