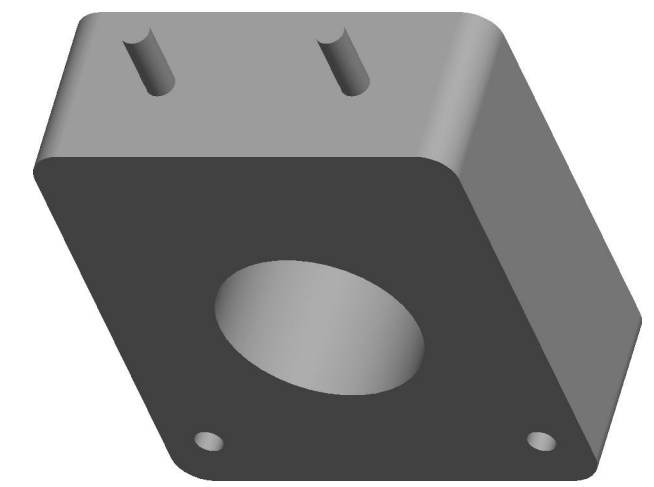
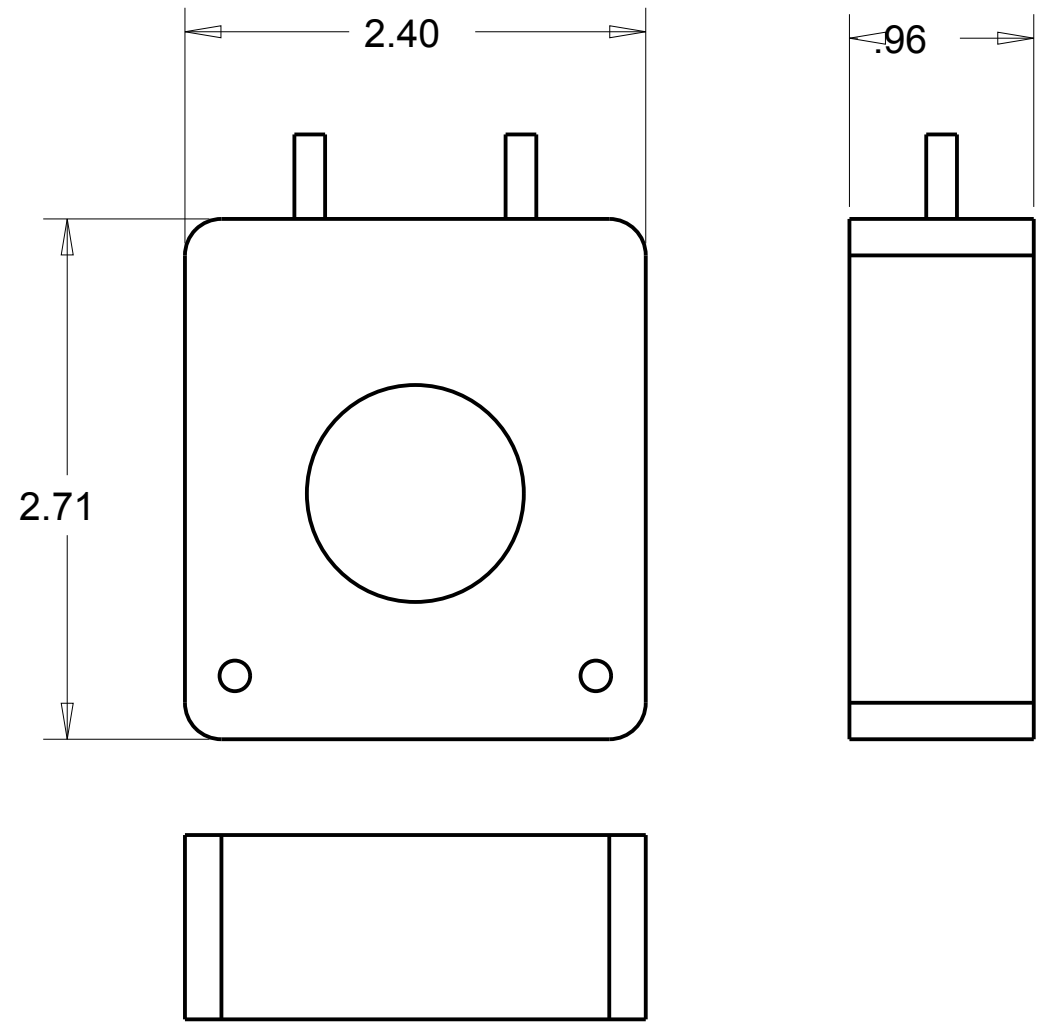


1 2 3 4 5 6 7 8

A
B
C
D
E
F
G
H



| | | | | |
|----------------------------|--|---|------|-----|
| Rockwell Automation | | CONFIDENTIAL AND PROPRIETARY INFORMATION. THIS DOCUMENT CONTAINS CONFIDENTIAL AND PROPRIETARY INFORMATION OF ROCKWELL AUTOMATION, INC. AND MAY NOT BE USED, COPIED OR DISCLOSED TO OTHERS, EXCEPT WITH THE AUTHORIZED WRITTEN PERMISSION OF ROCKWELL AUTOMATION, INC. | | |
| | | SHEET 1 OF 1 | | |
| DESCRIPTION | 1411-2SHT 2D Drawing | | SIZE | DIR |
| | DRAWN BY:AMAVILA AMAVILA DATE: 4/15/19 | | VER | VER |
| | B | 10004770754 | 00 | 00 |