

1

2

3

4

5

6

7

8

A

B

C

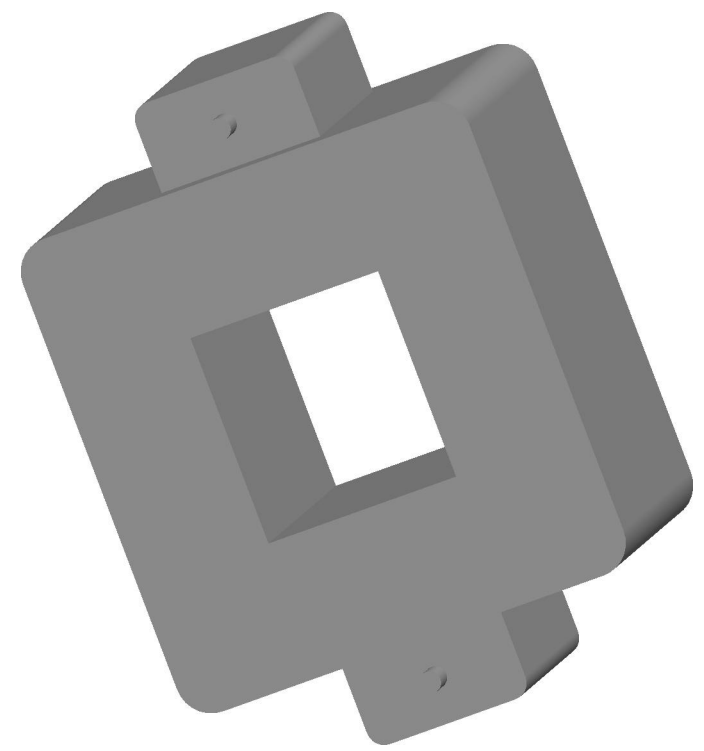
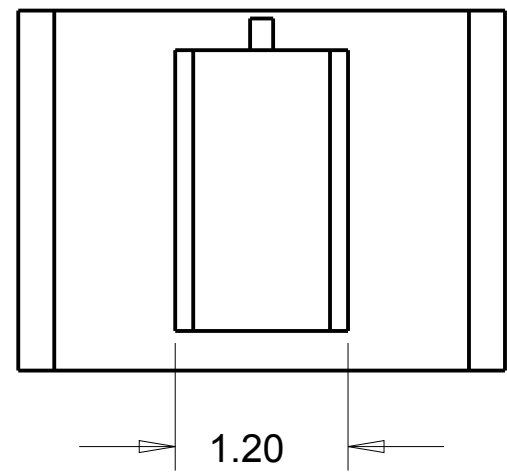
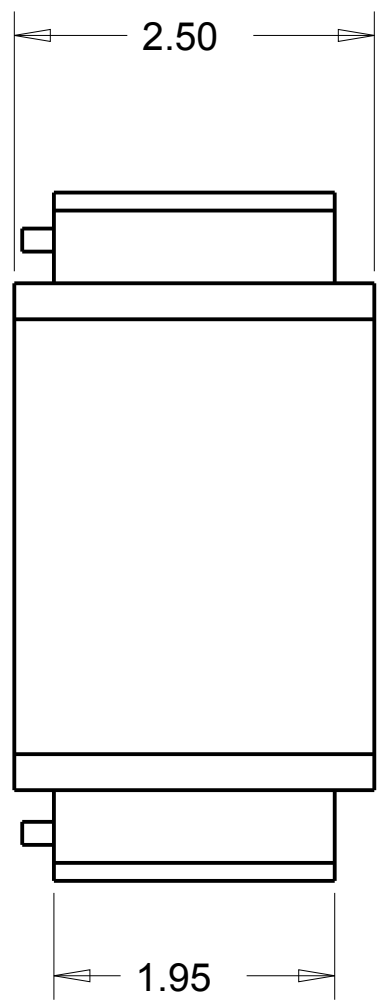
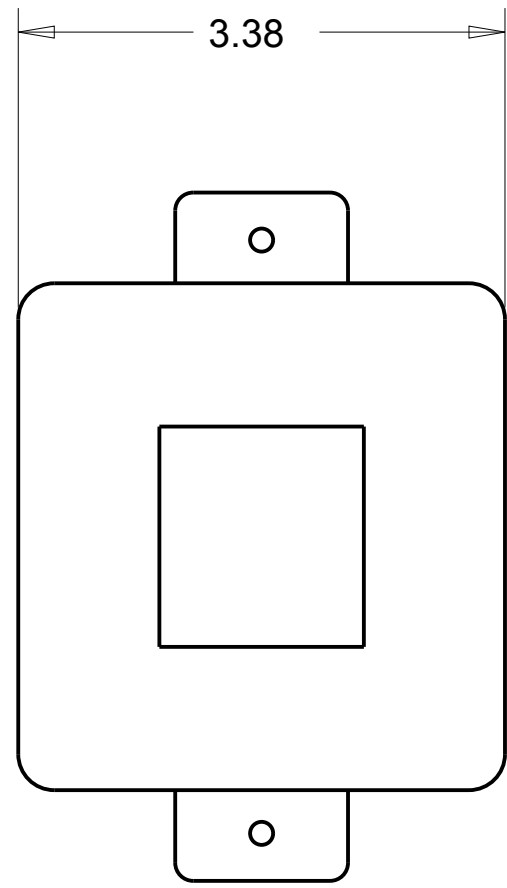
D

E

F

G

H



**Rockwell  
Automation**

CONFIDENTIAL AND PROPRIETARY INFORMATION.  
THIS DOCUMENT CONTAINS CONFIDENTIAL AND PROPRIETARY  
INFORMATION OF ROCKWELL AUTOMATION, INC. AND MAY  
NOT BE USED, COPIED OR DISCLOSED TO OTHERS, EXCEPT  
WITH THE AUTHORIZED WRITTEN PERMISSION OF ROCKWELL  
AUTOMATION, INC.

DESCRIPTION	1411-604.drw 2D Drawing		SHEET 1 OF 1	
	SIZE	DIR	VER	
DRAWN BY: AMAVILA	DATE: 4/16/19	B	10004773605	00