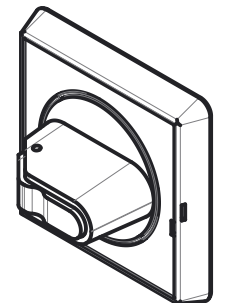
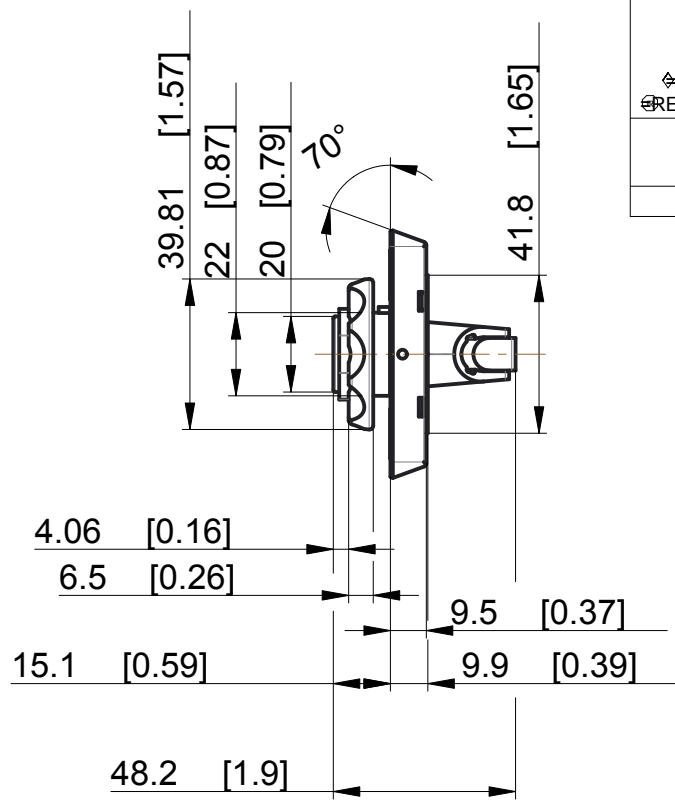
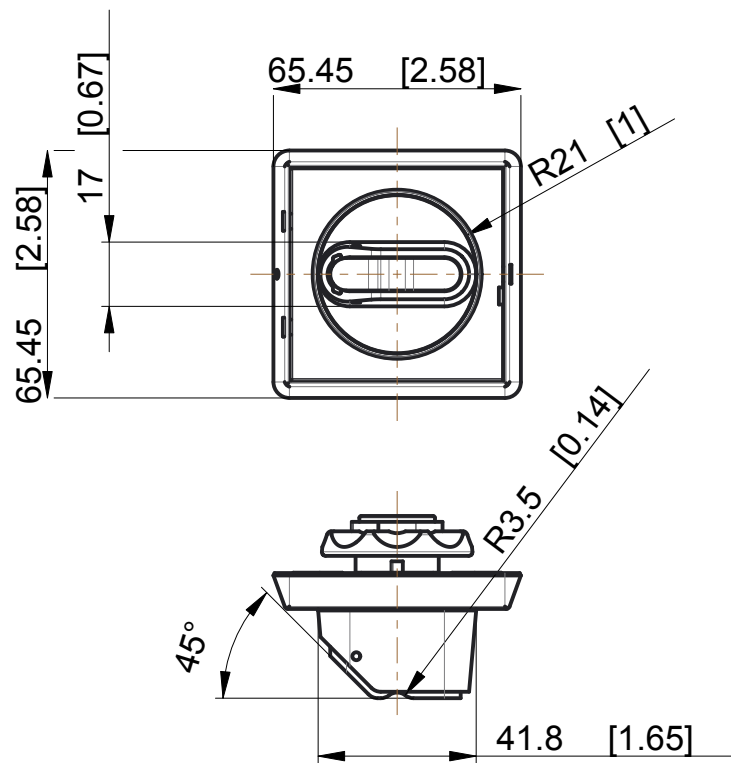


1 2 3 4 5 6 7 8

A  
B  
C  
D  
E  
F  
G  
H



CRITICAL TO QUALITY CLASSIFICATION TABLE

P=PERFORMANCE, F=FIT, A=ASSEMBLY  
 X=IDENTIFIES APPLICABLE CLASSIFICATION(S)  
 ⚙ENGINEERING AND/OR MANUFACTURING REQUIREMENT  
 ⚙REGULATORY REQUIREMENT-CONFORMANCE IS MANDATORY

COMMENTS	DRAWING ZONE	P	F	A	R
ROHS	G1-H1				X

-Dimensions are shown in mm [inches]  
 -Dimensions are not intended to be used for manufacturing purposes

10004793142	PN-527894
10004793142	PN-527893
MODEL/DIR NO.	PART/MMR NUMBER

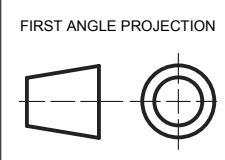
MUST COMPLY WITH ROCKWELL AUTOMATION ENVIRONMENTAL SPECIFICATION 970-20-01



ALL UNDIMENSIONED GEOMETRIES ARE CONTROLLED BY THE CAD MODEL. IN CASE OF DIMENSION DISCREPANCY, CAD MODEL OVERRIDES.

**Rockwell Automation**

CONFIDENTIAL AND PROPRIETARY INFORMATION. THIS DOCUMENT CONTAINS CONFIDENTIAL AND PROPRIETARY INFORMATION OF ROCKWELL AUTOMATION, INC. AND MAY NOT BE USED, COPIED OR DISCLOSED TO OTHERS, EXCEPT WITH THE AUTHORIZED WRITTEN PERMISSION OF ROCKWELL AUTOMATION, INC.



DESCRIPTION  
**140MP-A-DC65/-DCY65**

CREATED BY:C.Gloor      CHANGED BY:C.Gloor

DATE:2019-05-20		SHEET 1 OF 1	
SIZE	DIR	VER	
A4	10004793143	00	

1 2 3 4 5 6 7 8