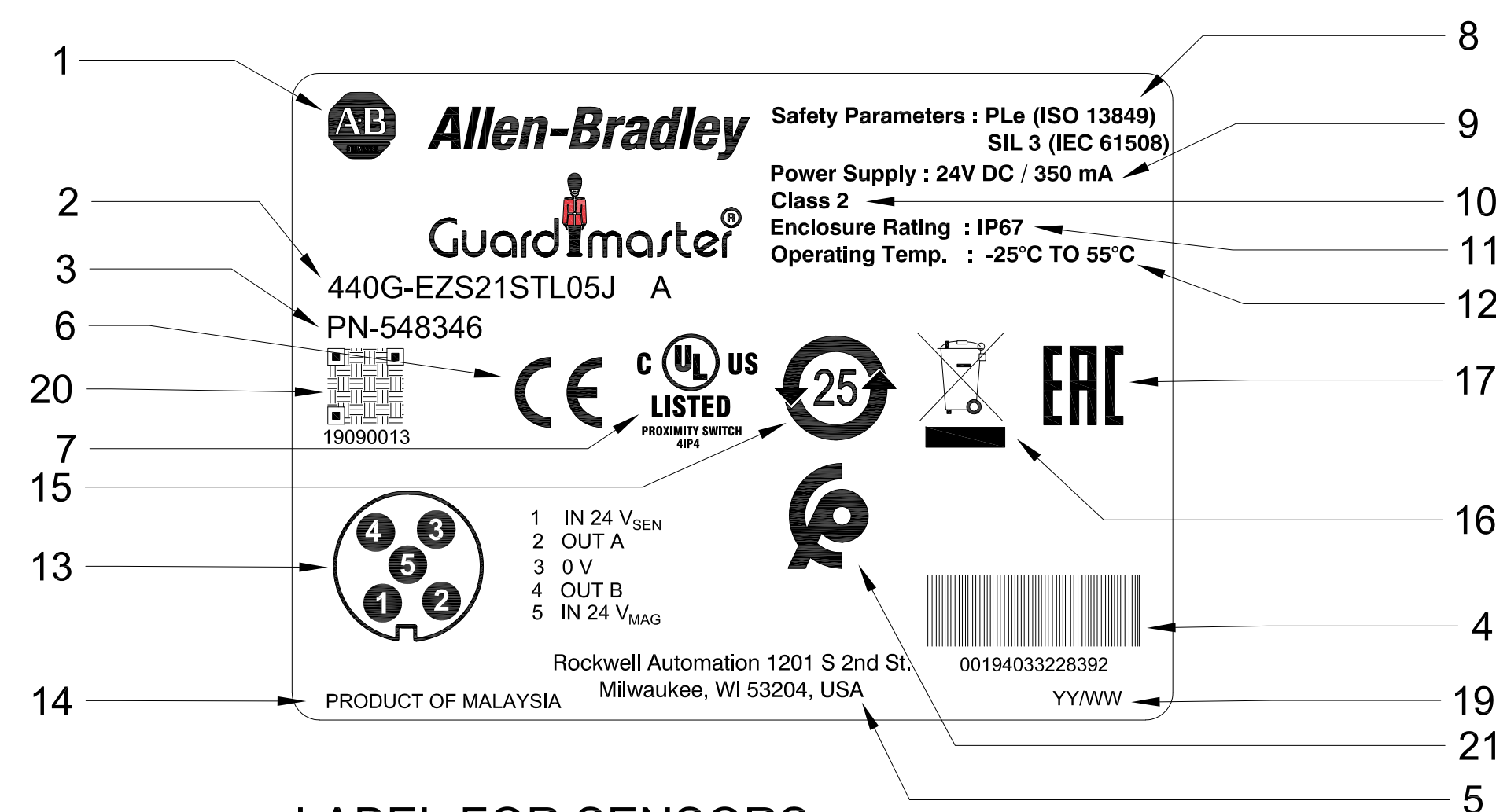


CRITICAL TO QUALITY CLASSIFICATION TABLE				
P=PERFORMANCE, F=FIT, A=ASSEMBLY				
X=IDENTIFIES APPLICABLE CLASSIFICATION(S)				
⊕=ENGINEERING AND/OR MANUFACTURING REQUIREMENT				
Ⓜ=REGULATORY REQUIREMENT - CONFORMANCE IS MANDATORY				
COMMENTS	DRAWING (ZONE)	P	F	A
ROHS	H1			X

PACKAGING LABEL PRINTING SENSOR

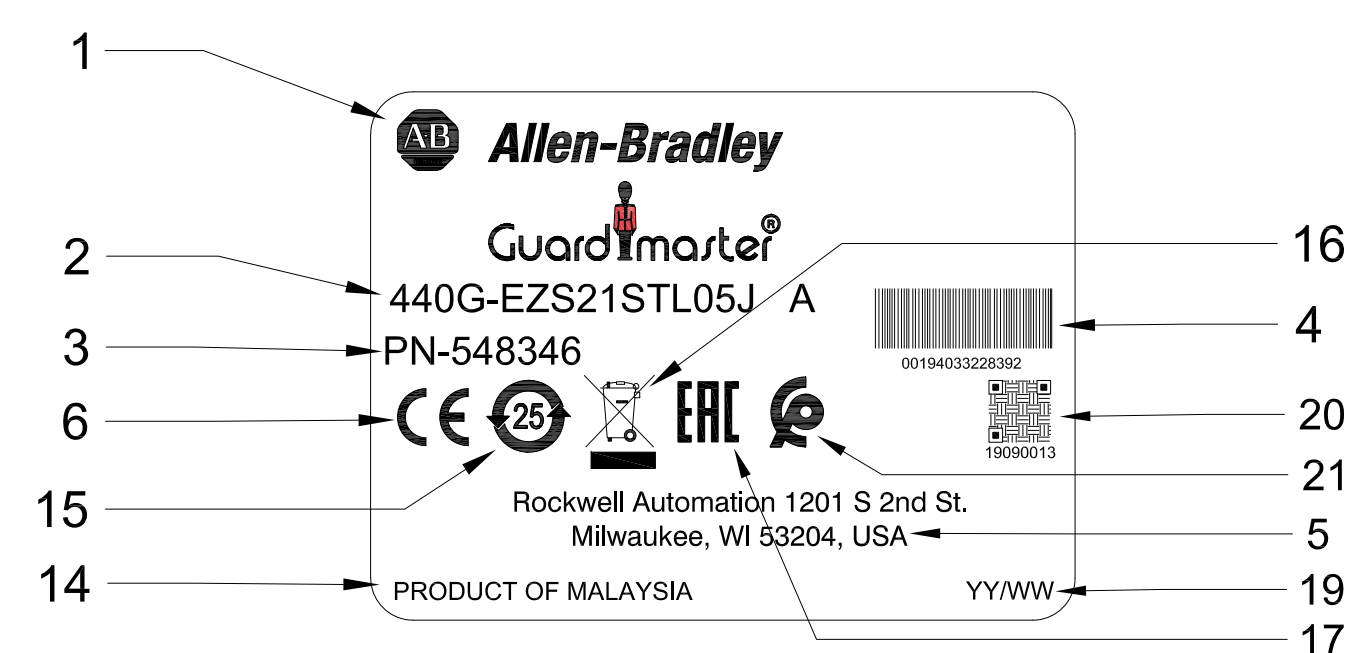
PRINTING LAYOUT FOR SENSOR



LABEL FOR SENSORS

SL.NO	DESCRIPTION	
1	COMPANY LOGO	[6.5 MM]
2	CATALOGUE NUMBER AND SERIES	[3.0 MM]
3	MATERIAL MASTER	[2.0 MM]
4	BARCODE	
5	RA ADDRESS	
6	CE MARK	
7	UL MARK	
8	SAFETY PARAMETERS	[2.0 MM]
9	POWER SUPPLY	[2.0 MM]
10	UL CLASSIFICATION	[2.0 MM]
11	ENCLOSURE RATING	[2.0 MM]
12	OPERATING TEMP	[2.0 MM]
13	PIN DEFINITIONS 1	
14	MANUFACTURING COUNTRY	[2.0 MM]
15	CHINA ROHS	
16	WEEE LOGO	
17	EAC LOGO	
19	DATE CODE	
20	SERIAL NUMBER	
21	MOROCCO LOGO	

PRINTING LAYOUT FOR ACTUATOR ONLY



LABEL FOR ACTUATORS

SL.NO	DESCRIPTION	
1	COMPANY LOGO	[6.5 MM]
2	CATALOGUE NUMBER AND SERIES	[3.0 MM]
3	MATERIAL MASTER	[2.0 MM]
4	BARCODE	
5	RA ADDRESS	
6	CE MARK	
14	MANUFACTURING COUNTRY	[2.0 MM]
15	CHINA ROHS	
16	WEEE LOGO	
17	EAC LOGO	
19	DATECODE	
20	SERIAL NUMBER	
21	MOROCCO LOGO	

OVER PACK LABEL

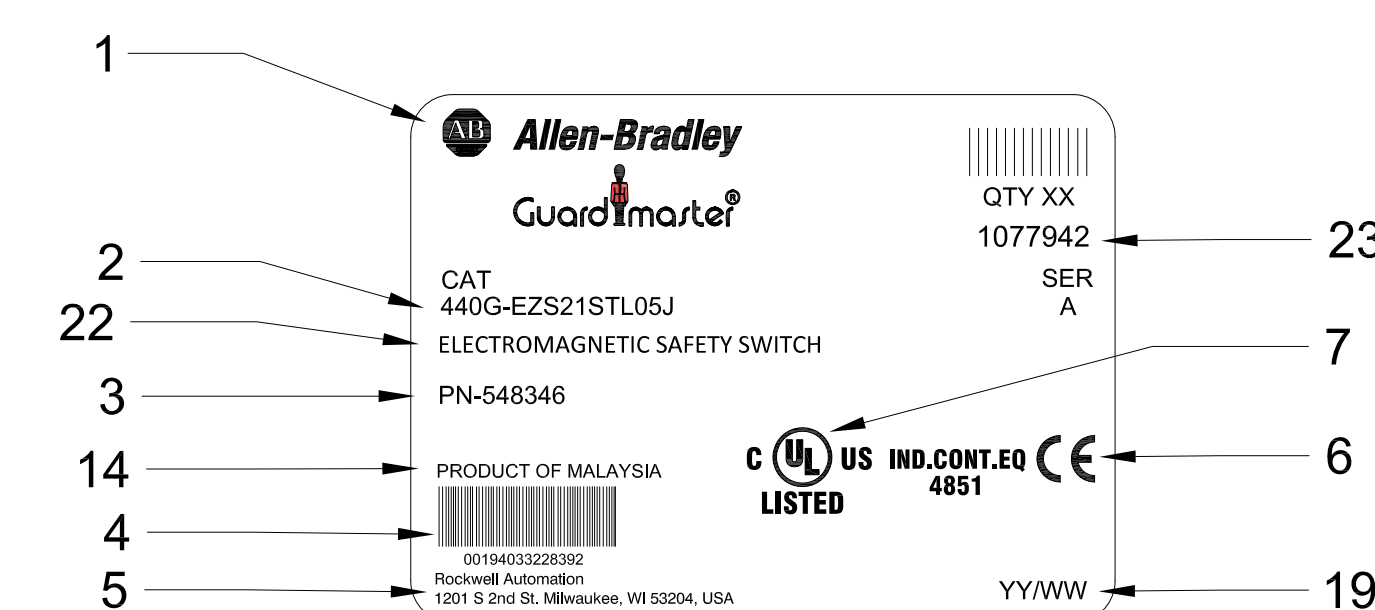


TABLE 1

NO OF PINS	PIN DEFINITIONS
5 PIN	<p>INPUT (PLUG)</p> <p>1 IN 24 V_{SEN} 2 OUT A 3 0 V 4 OUT B 5 IN 24 V_{MAG}</p>
8 PIN	<p>1 AUX OUT 2 IN 24 V_{SEN} 3 IN 24 V_{MAG} 4 IN B 5 OUT A 6 OUT B 7 0 V 8 IN A</p>

PACKING NOTES:

- PACKING INFORMATION: PRODUCT TO BE SUPPLIED IN A SUITABLE CARTON OR BAG. REQUIRED INFORMATION TO APPEAR AS A STICKER PLACED ON OUTSIDE OF CARTON/BAG OR PRINTED DIRECTLY ON TO BAG. SEE DIAGRAM AND EXPLANATIONS.
- ALLEN-BRADLEY LOGO: PER DRAWING 40028-500
- CATALOG NUMBER AND SERIES (SEE CHART)
- MATERIAL MASTER (SEE CHART)
- BARCODE: INTERLEAF 2 OF 5, 14 CHARACTERS IN HUMAN READABLE BELOW (SEE CHART)
- ADDRESS
- CE MARK LOGO
- UL MARK LOGO
- SAFETY PARAMETERS
- POWER SUPPLY
- UL CLASSIFICATION
- ENCLOSURE RATING
- OPERATING TEMPERATURE
- PIN DEFINITIONS: (SEE TABLE 1)
- PRODUCT OF (COUNTRY OF ORIGIN): MALAYSIA
- CHINA ROHS LOGO
- WEEE LOGO
- EAC LOGO
- RCM LOGO
- DATE CODE: (YY/WW)
- SERIAL NUMBER: 2D BARCODE WITH HUMAN READABLE BELOW(4 DIGIT DATE CODE(YYWW) AND 4-DIGIT RUNNING SERIAL NUMBER).
- MOROCCO LOGO
- DESCRIPTION
- SICK MATERIAL NUMBER - 7 DIGIT NUMBER

COMPLIANCE STANDARD	SIZE (MIN)	REGULATORY MARK
EUROPEAN CONFORMITY	5 MM HEIGHT, WITH SPACE EXCEPTION TO 3 MM	CE
WASTE ELECTRICAL AND ELECTRONIC EQUIPMENT	X 5 MM HEIGHT, BOTTOM OF BAR TO TOP OF X 7 MM HEIGHT	WEEE
CHINA ROHS	5 MM HEIGHT	25
AUSTRALIA AND NEW ZEALAND REGULATORY COMPLIANCE MARK	3 MM HEIGHT	ANZ
MOROCCO CONFORMITY	6 MM HEIGHT	MOROCCO
EURASIAN CONFORMITY MARK	5 MM HEIGHT	EAC

- NOTES:
- DIMENSIONS IN MM (INCHES) FOR REFERENCE ONLY.
 - AGENCY SYMBOL SIZE REQUIREMENTS MUST BE IN COMPLIANCE WITH GLOBAL MARKING SPECIFICATION 930-00-01.
 - VENDORS NAME OR LOGO NOT TO APPEAR.

CATALOG NUMBER (2)	SERIES	MATERIAL MASTER NUMBER (3)	UPC	DESCRIPTION (21)
440G-EZS21STL05J	A	PN-548346	00194033228392	ELECTROMAGNETIC SAFETY SWITCH
440G-EZS21STL05H	A	PN-548347	00194033228408	ELECTROMAGNETIC SAFETY SWITCH
440G-EMAS	A	PN-548348	00194033228415	ELECTROMAGNETIC SAFETY SWITCH, ACTUATOR

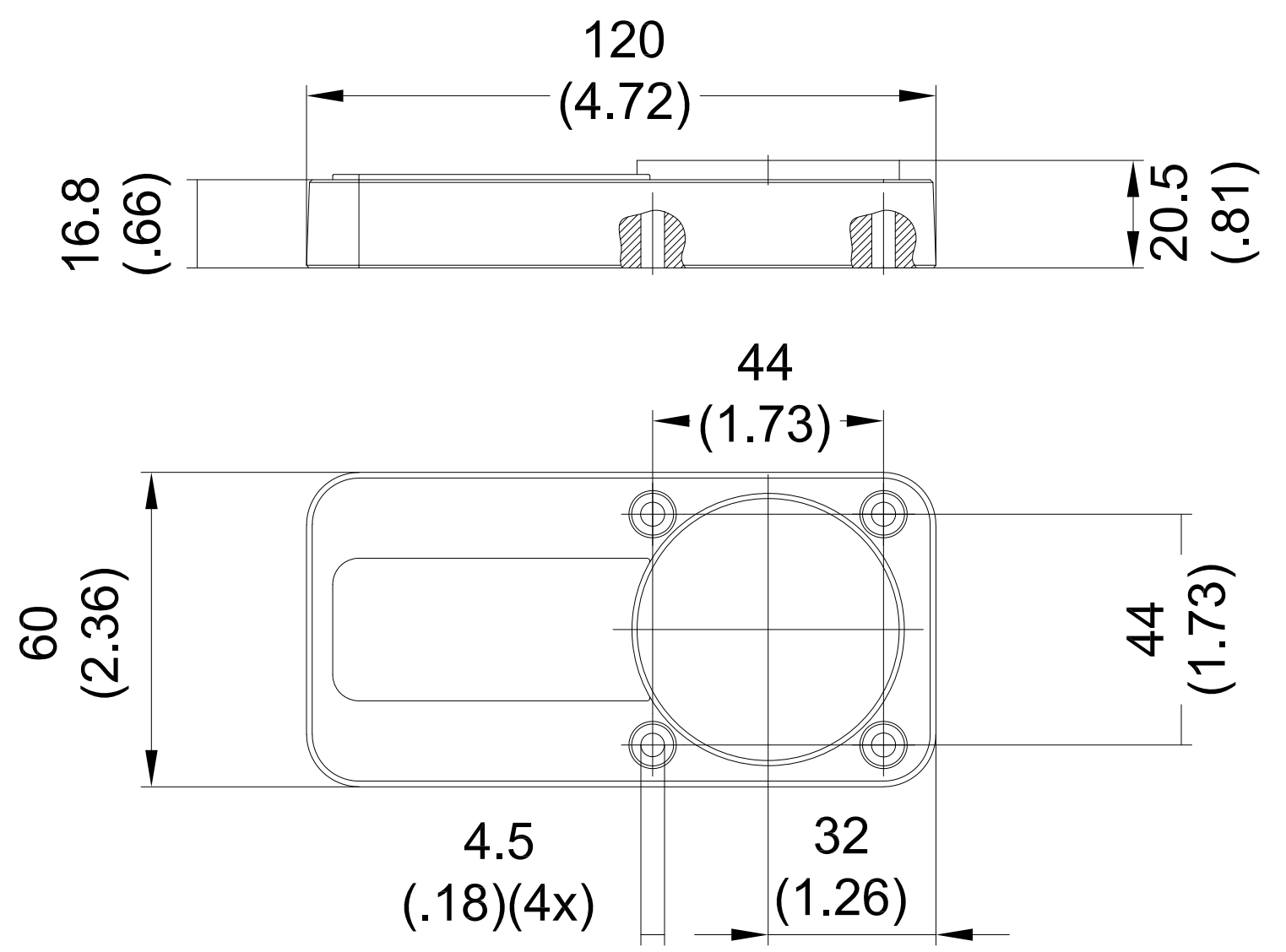
Rockwell Automation		CONFIDENTIAL AND PROPRIETARY INFORMATION. THIS DOCUMENT CONTAINS CONFIDENTIAL AND PROPRIETARY INFORMATION OF ROCKWELL AUTOMATION, INC. AND MAY NOT BE USED, COPIED OR DISCLOSED TO OTHERS, EXCEPT WITH THE AUTHORIZED WRITTEN PERMISSION OF ROCKWELL AUTOMATION, INC.	
DESCRIPTION	DATE	SHEET	OF
Electromagnetic Brand Label Project	2019-10-22	1	3
CREATED BY	VR1	CHANGED BY	VR1
SIZE	DIR	10004866816	00

MUST COMPLY WITH ROCKWELL AUTOMATION ENVIRONMENTAL SPECIFICATION 970-20-01

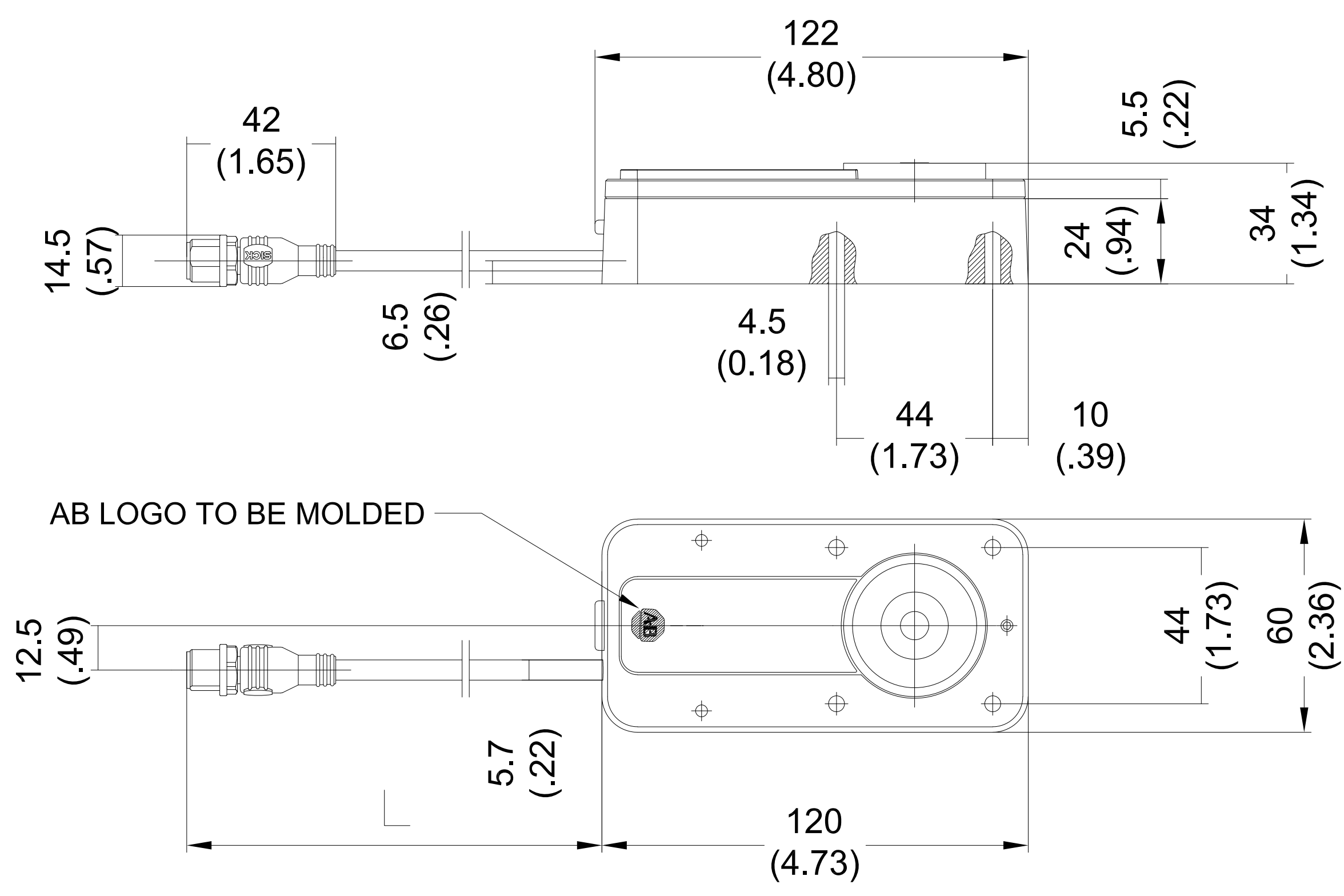
1 2 3 4 5 6 7 8

CRITICAL TO QUALITY CLASSIFICATION TABLE				
P=PERFORMANCE, F=FIT, ASSEMBLY				
X=IDENTIFIES APPLICABLE CLASSIFICATION(S)				
◇=ENGINEERING AND/OR MANUFACTURING REQUIREMENT				
Ⓜ=REGULATORY REQUIREMENT - CONFORMANCE IS MANDATORY				
COMMENTS	DRAWING (ZONE)	P	F	R
ROHS	H1			X

ACTUATOR



SENSOR



L= 150±2 MM/ 5.91±.79 INCH

5 PIN / 8 PIN

MUST COMPLY WITH ROCKWELL AUTOMATION ENVIRONMENTAL SPECIFICATION 9702001

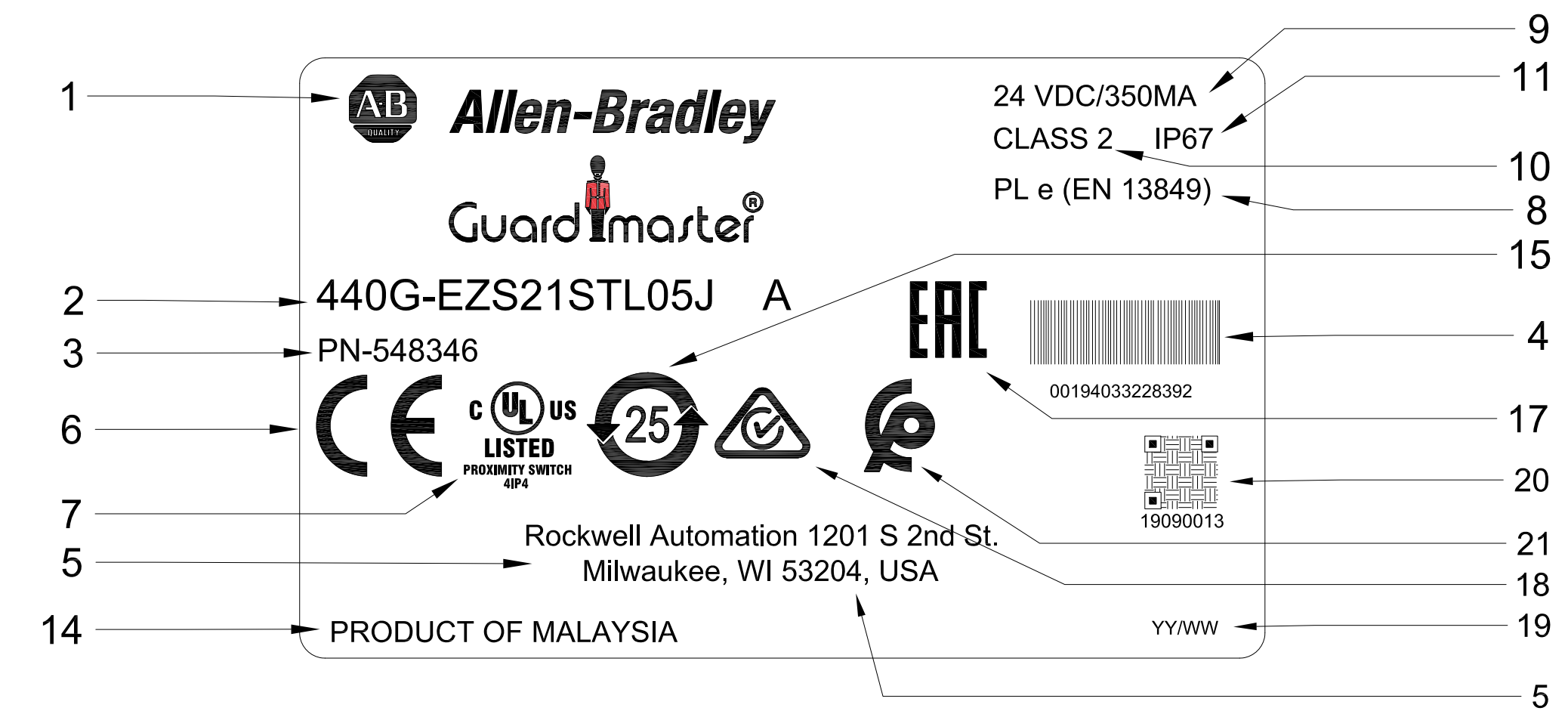
		CONFIDENTIAL AND PROPRIETARY INFORMATION. THIS DOCUMENT CONTAINS CONFIDENTIAL AND PROPRIETARY INFORMATION OF ROCKWELL AUTOMATION, INC. AND MAY NOT BE USED, COPIED OR DISCLOSED TO OTHERS, EXCEPT WITH THE AUTHORIZED WRITTEN PERMISSION OF ROCKWELL AUTOMATION, INC.		
DESCRIPTION Electromagnetic Brand Label Project		DATE 2019-10-22	SHEET 2	OF 3
CREATED BY VR1	CHANGED BY VR1	D	10004866816	00

1 2 3 4 5 6 7 8

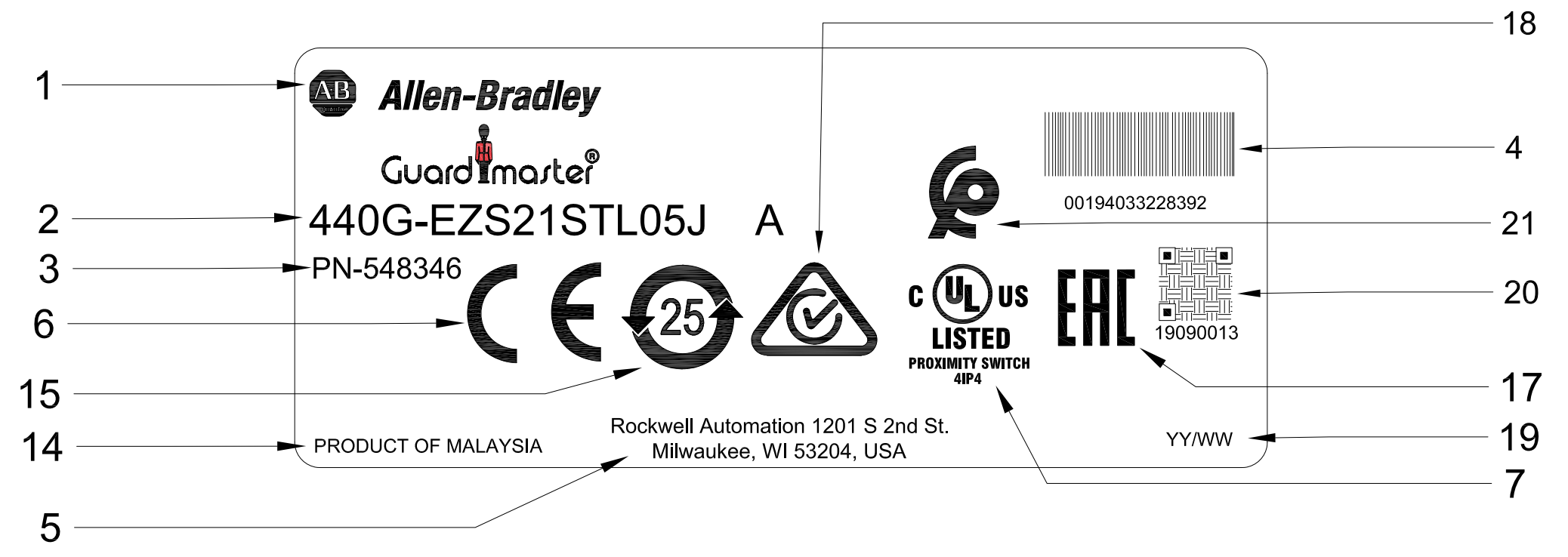
CRITICAL TO QUALITY CLASSIFICATION TABLE					
P=PERFORMANCE, F=FIT, ASSEMBLY					
X=IDENTIFIES APPLICABLE CLASSIFICATION(S)					
◇=ENGINEERING AND/OR MANUFACTURING REQUIREMENT					
⊗=REGULATORY REQUIREMENT - CONFORMANCE IS MANDATORY					
COMMENTS	DRAWING (ZONE)	P	F	A	R
ROHS	H1				X

LABEL PRINTING

SENSORS



ACTUATORS



SENSORS

SL.NO	DESCRIPTION	
1	COMPANY LOGO	[6.5 MM]
2	CATALOGUE NUMBER AND SERIES	[3.0 MM]
3	MATERIAL MASTER	[2.0 MM]
4	BARCODE	
5	RA ADDRESS	
6	CE MARK	
7	UL MARK	
8	PERFORMANCE LEVEL (SAFETY PARAMETERS)	[2.0 MM]
9	POWER SUPPLY	[2.0 MM]
10	UL CLASSIFICATION	[2.0 MM]
11	IP LEVEL (ENCLOSURE RATING)	[2.0 MM]
14	MANUFACTURING COUNTRY	[2.0 MM]
15	CHINA ROHS	
17	EAC LOGO	
18	RCM LOGO	
19	DATE CODE	
20	SERIAL NUMBER	
21	MOROCCO LOGO	

ACTUATORS

SL.NO	DESCRIPTION	
1	COMPANY LOGO	[6.5 MM]
2	CATALOGUE NUMBER AND SERIES	[3.0 MM]
3	MATERIAL MASTER	[2.0 MM]
4	BARCODE	
5	RA ADDRESS	
6	CE MARK	
7	UL MARK	
14	MANUFACTURING COUNTRY	[2.0 MM]
15	CHINA ROHS	
17	EAC LOGO	
18	RCM LOGO	
19	DATE CODE	
20	SERIAL NUMBER	
21	MOROCCO LOGO	

MUST COMPLY WITH ROCKWELL AUTOMATION ENVIRONMENTAL SPECIFICATION 970-20-01

		CONFIDENTIAL AND PROPRIETARY INFORMATION. THIS DOCUMENT CONTAINS CONFIDENTIAL AND PROPRIETARY INFORMATION OF ROCKWELL AUTOMATION, INC. AND MAY NOT BE USED, COPIED OR DISCLOSED TO OTHERS, EXCEPT WITH THE AUTHORIZED WRITTEN PERMISSION OF ROCKWELL AUTOMATION, INC.	
DESCRIPTION	DATE	SHEET	OF
Electromagnetic Brand Label Project	2019-10-22	3	3
CREATED BY	DIR	VER	
VR1	D	10004866816	00