

NOTES:  
 1. DIMENSIONS SHOWN ARE FOR REFERENCE ONLY.  
 NOT INTENDED FOR MANUFACTURING PURPOSES.  
 2. DIMENSIONS IN BRACKETS ARE IN MILLIMETERS.

MUST COMPLY WITH ROCKWELL AUTOMATION ENVIRONMENTAL SPECIFICATION 970-20-01

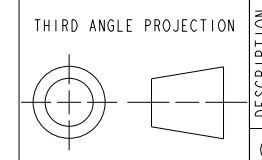
**1491-R621  
 600AMP 250V R FUSE**

ALL UNDIMENSIONED GEOMETRIES ARE CONTROLLED BY THE CAD MODEL. IN CASE OF DIMENSION DISCREPANCY, CAD MODEL OVERRIDES.



10008206520 CAD MODEL

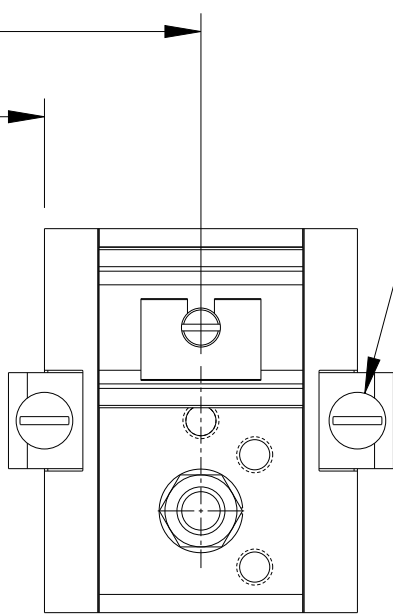
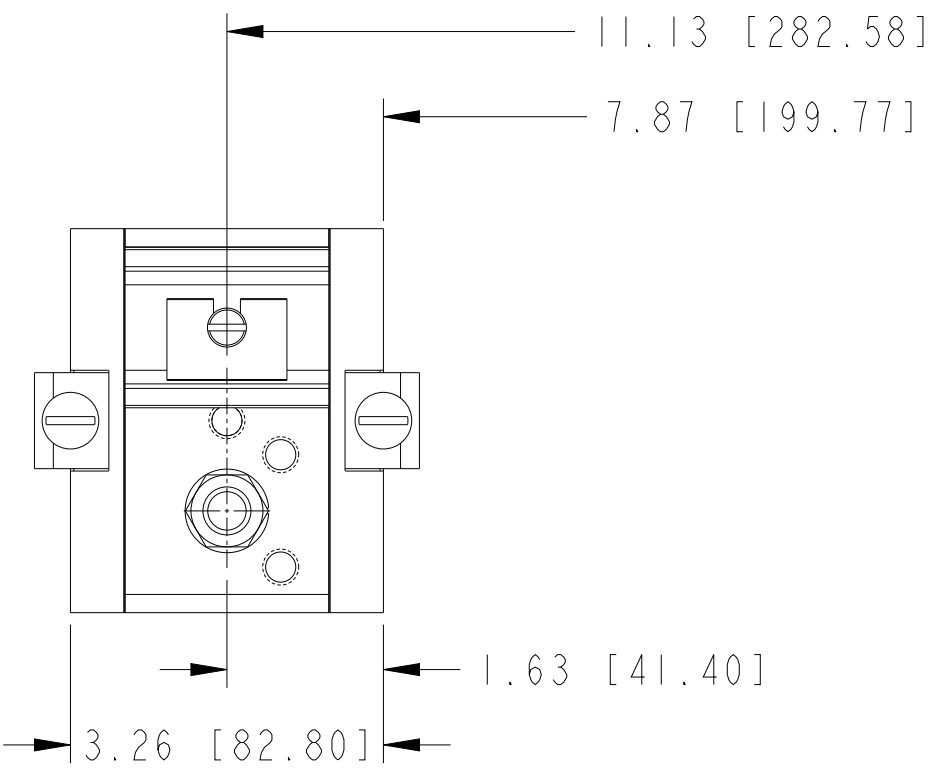
CONFIDENTIAL AND PROPRIETARY INFORMATION. THIS DOCUMENT CONTAINS CONFIDENTIAL AND PROPRIETARY INFORMATION OF ROCKWELL AUTOMATION, INC. AND MAY NOT BE USED, COPIED OR DISCLOSED TO OTHERS, EXCEPT WITH THE AUTHORIZED WRITTEN PERMISSION OF ROCKWELL AUTOMATION, INC.



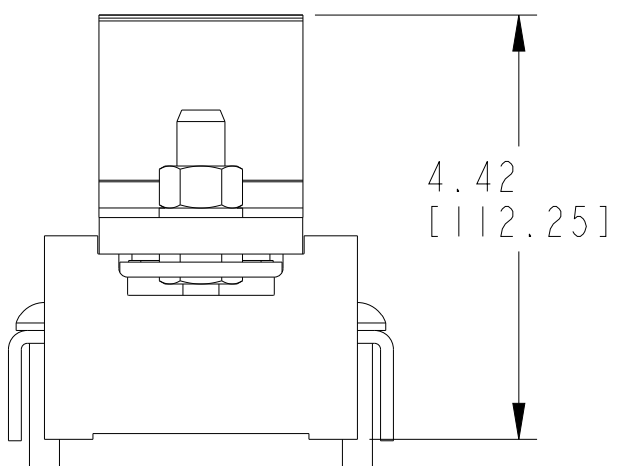
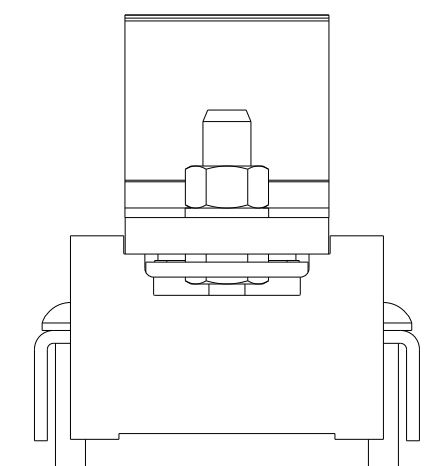
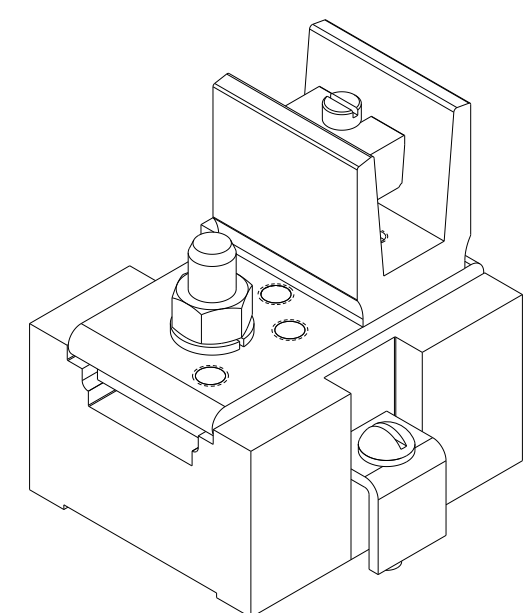
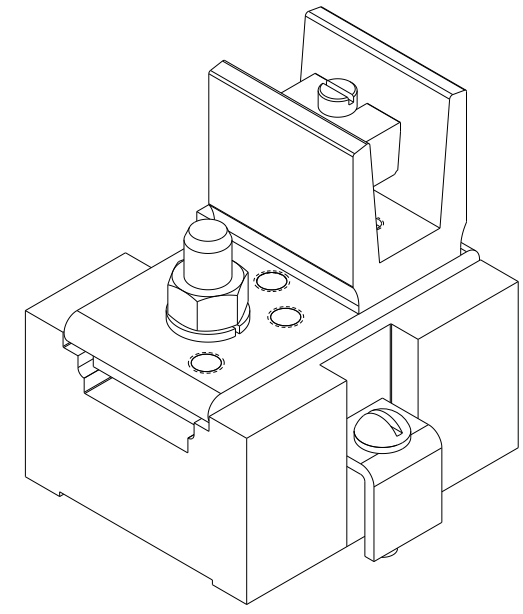
**CUSTOMER OUTLINE DRAWING  
 FUSE BLOCK 600 AMP SEPARATE MTG.  
 1491-R621**

DATE: 2024-10-24		SHEET 1 OF 2	
SIZE	DIR	VER	
<b>B</b>	<b>10008211436</b>	<b>00</b>	

CREATED BY: LEQUENTIN CHANGED BY: \*\*\*\*\*



5/16 X 1.50 LONG  
4 MTG. SCREWS



**1491-R621**  
**600AMP 600V R FUSE**

10008206519 CAD MODEL



CONFIDENTIAL AND PROPRIETARY INFORMATION.  
THIS DOCUMENT CONTAINS CONFIDENTIAL AND PROPRIETARY  
INFORMATION OF ROCKWELL AUTOMATION, INC. AND MAY  
NOT BE USED, COPIED OR DISCLOSED TO OTHERS, EXCEPT  
WITH THE AUTHORIZED WRITTEN PERMISSION OF ROCKWELL  
AUTOMATION, INC.

DESCRIPTION  
**CUSTOMER OUTLINE DRAWING**  
**FUSE BLOCK 600 AMP SEPARATE MTG.**  
**1491-R621**

DATE: 2024-10-24 SHEET 2 OF 2  
SIZE DIR VER  
**B 10008211436 00**

CREATED BY: LEQUENTIN CHANGED BY: \*\*\*\*\*