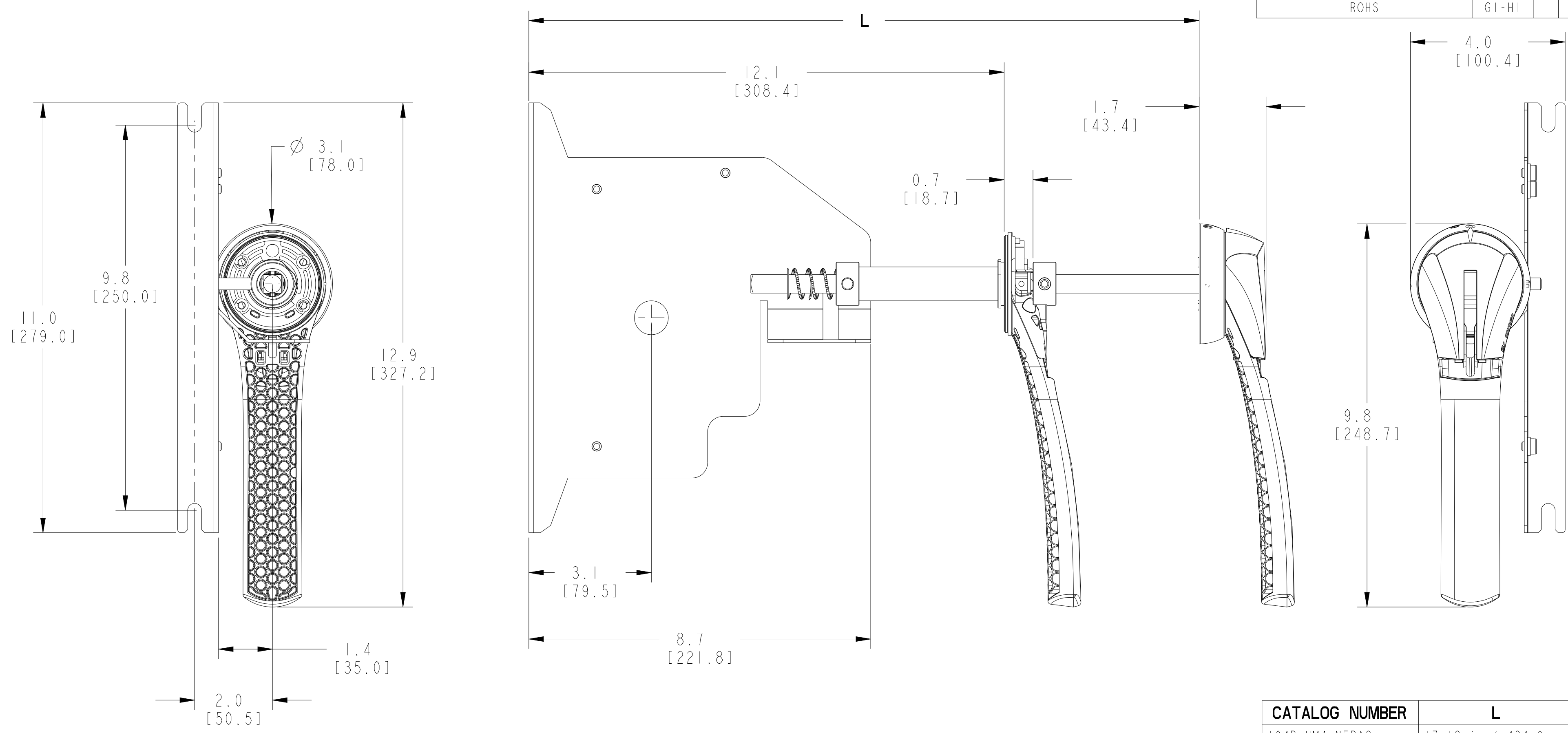


**CRITICAL TO QUALITY CLASSIFICATION TABLE**

P=PERFORMANCE, F=FIT, A=ASSEMBLY  
 X=IDENTIFIES APPLICABLE CLASSIFICATION(S)  
 ◇=ENGINEERING AND/OR MANUFACTURING REQUIREMENT  
 ⊕=REGULATORY REQUIREMENT-CONFORMANCE IS MANDATORY

COMMENTS	DRAWING ZONE	P	F	A	R
ROHS	G1-H1				X

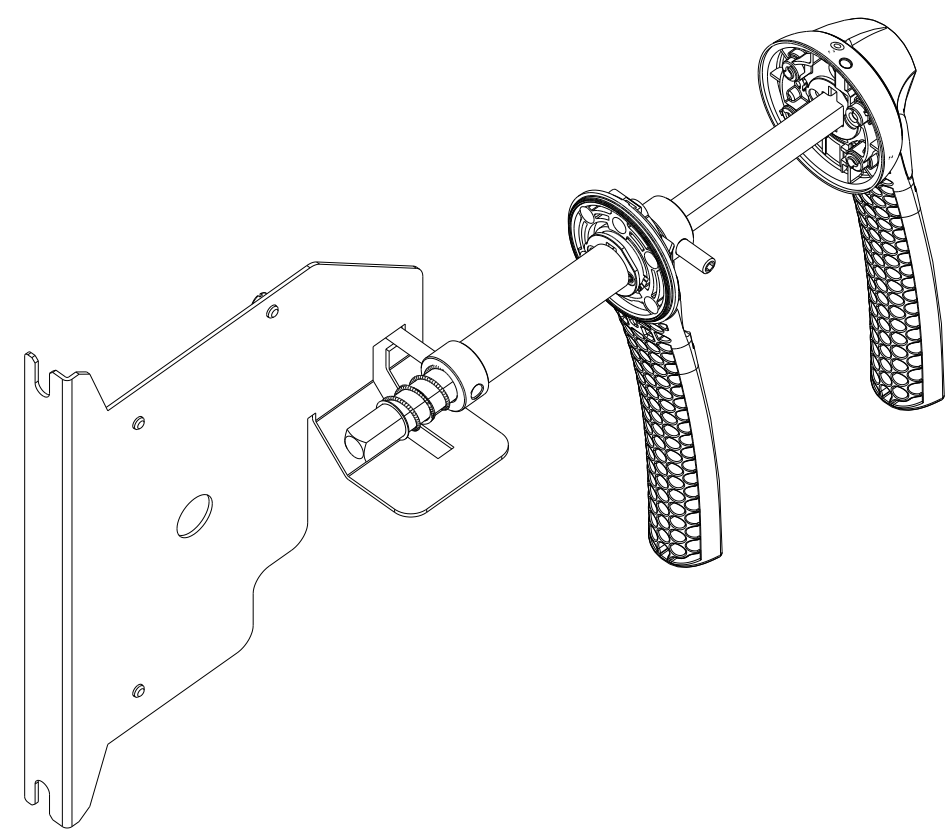


CATALOG NUMBER	L
194R-HM4-NFPA2	17.12 in / 434.9 mm 1)
194R-HM4-NFPA4	26.57 in / 674.9 mm 2)

Notes:  
 1) Operating shaft length 12,6 in. / 320mm.  
 2) Operating shaft length 22 in. / 560mm.

GENERAL NOTES:  
 - Dimensions are shown in inches [mm]  
 - Dimensions are not intended to be used for manufacturing purposes

MUST COMPLY WITH ROCKWELL  
 AUTOMATION ENVIRONMENTAL  
 SPECIFICATION 970-20-01



ALL UNDIMENSIONED GEOMETRIES ARE CONTROLLED BY THE CAD MODEL. IN CASE OF DIMENSION DISCREPANCY, CAD MODEL OVERRIDES.  THIRD ANGLE PROJECTION 		CONFIDENTIAL AND PROPRIETARY INFORMATION. THIS DOCUMENT CONTAINS CONFIDENTIAL AND PROPRIETARY INFORMATION OF ROCKWELL AUTOMATION, INC. AND MAY NOT BE USED, COPIED OR DISCLOSED TO OTHERS, EXCEPT WITH THE AUTHORIZED WRITTEN PERMISSION OF ROCKWELL AUTOMATION, INC.	
		DATE: 2021-09-06	SHEET 1 OF 1
DESCRIPTION <b>194R-HM4-NFPA2 / 194R-HM4-NFPA4</b>	SIZE DIR <b>C 10006362858</b>	VER <b>00</b>	CREATED BY: SSHARM35 CHANGED BY: