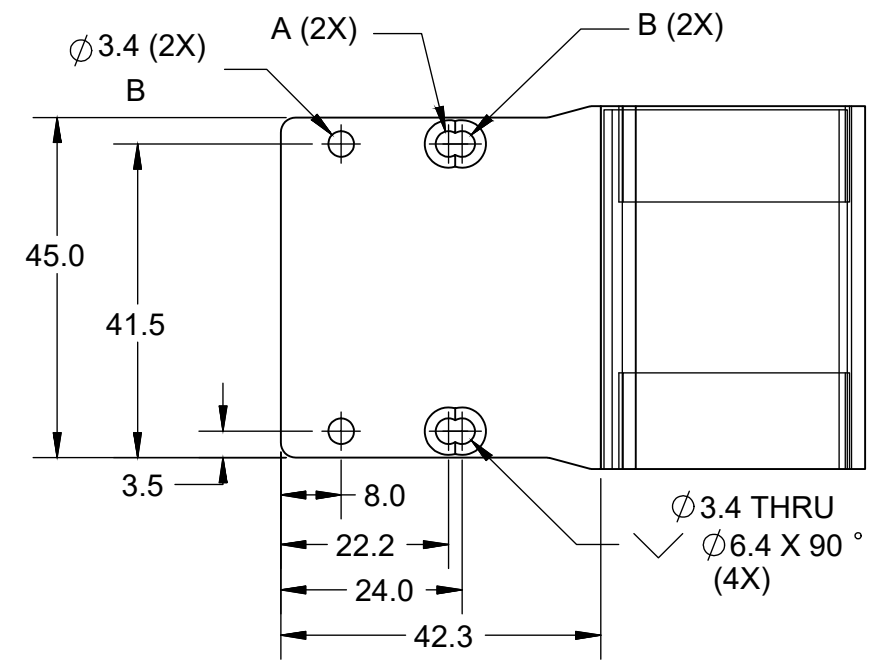
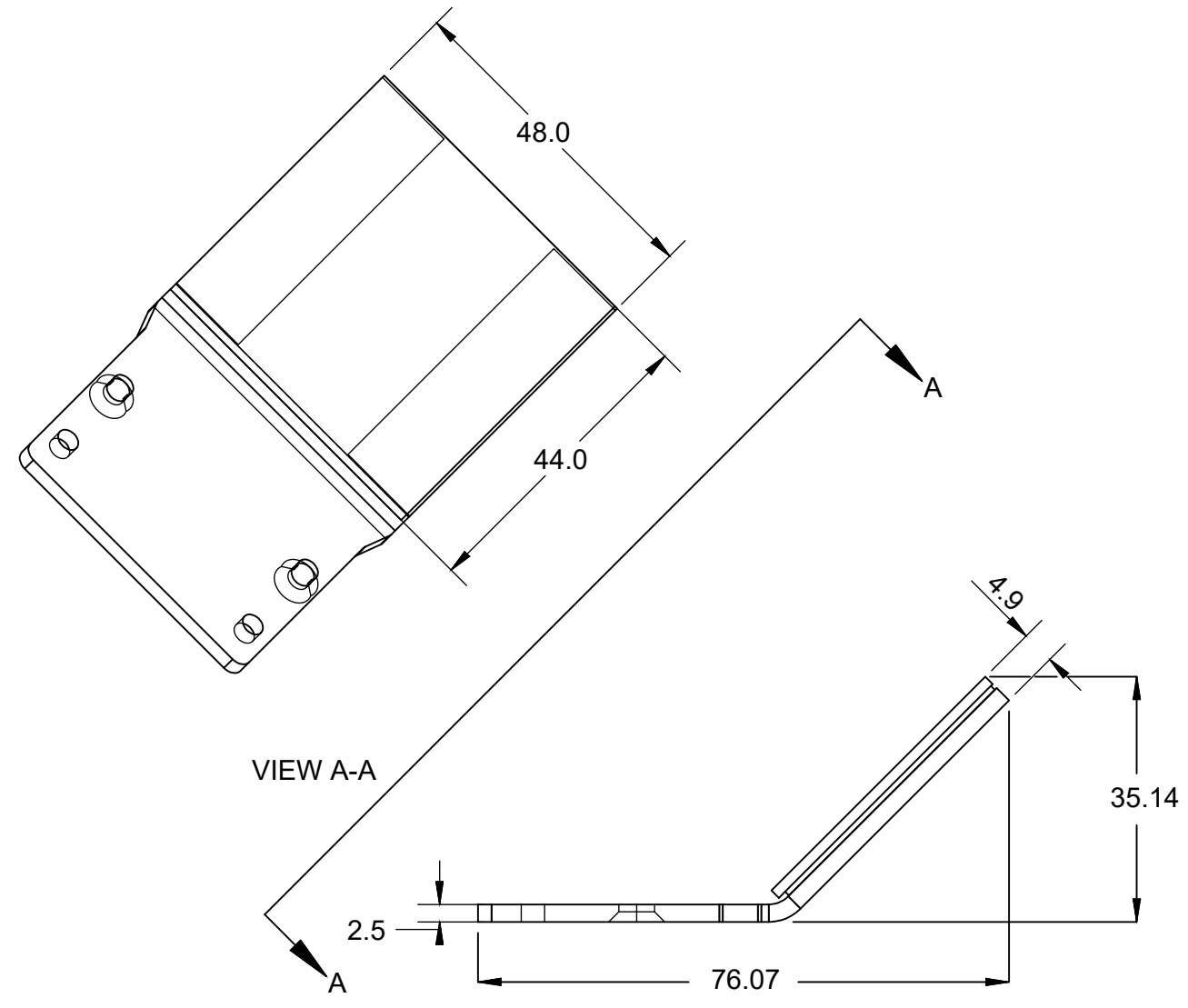


CRITICAL TO QUALITY CLASSIFICATION TABLE					
P=PERFORMANCE, F=FIT, A=ASSEMBLY					
X=IDENTIFIES APPLICABLE CLASSIFICATION(S)					
◇=ENGINEERING AND/OR MANUFACTURING REQUIREMENT					
Ⓡ=REGULATORY REQUIREMENT - CONFORMANCE IS MANDATORY					
COMMENTS	DRAWING (ZONE)	◇ P	◇ F	◇ A	Ⓡ R
ROHS	H1				X



NOTES:

- MIRROR BRACKET: ALUMINUM; FINISH-TRIVALENT CHROMATE ALUMINUM; MIRROR: GLASS
- DIMENSIONS IN MM AND ARE FOR REFERENCE ONLY.

PN-421657	48CR-45MIRROR
MATERIAL MASTER	CATALOG

MUST COMPLY WITH ROCKWELL AUTOMATION ENVIRONMENTAL SPECIFICATION 970-20-01

		CONFIDENTIAL AND PROPRIETARY INFORMATION. THIS DOCUMENT CONTAINS CONFIDENTIAL AND PROPRIETARY INFORMATION OF ROCKWELL AUTOMATION, INC. AND MAY NOT BE USED, COPIED OR DISCLOSED TO OTHERS, EXCEPT WITH THE AUTHORIZED WRITTEN PERMISSION OF ROCKWELL AUTOMATION, INC.		
		DESCRIPTION	DATE	SHEET
48CR, MIRROR BRACKET		2022-06-02	1	1
CREATED BY	CHANGED BY	SIZE	DIR	VER
SGOWDA1		B	10006803555	00