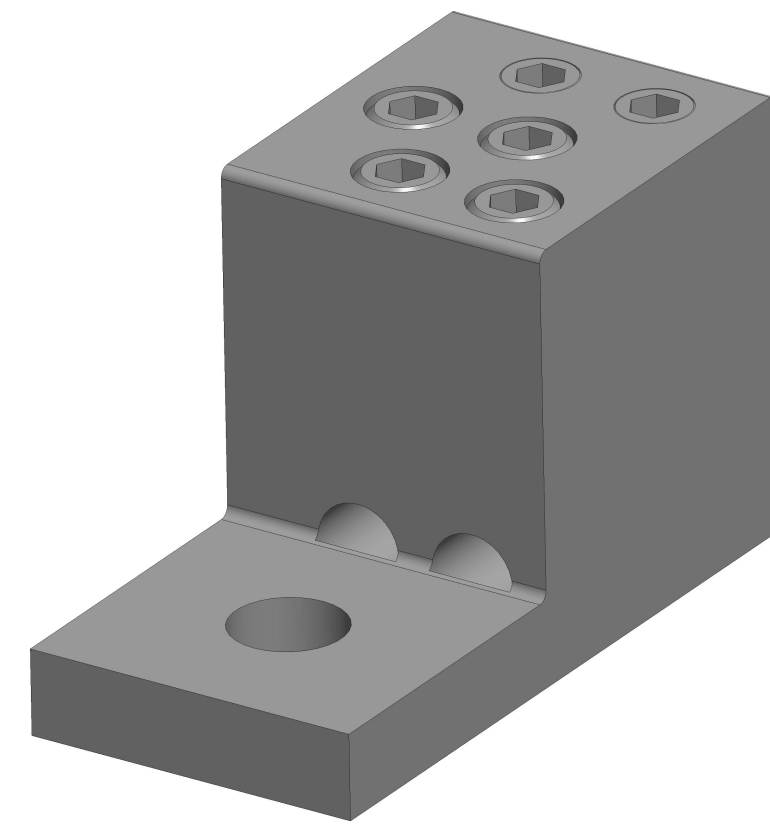
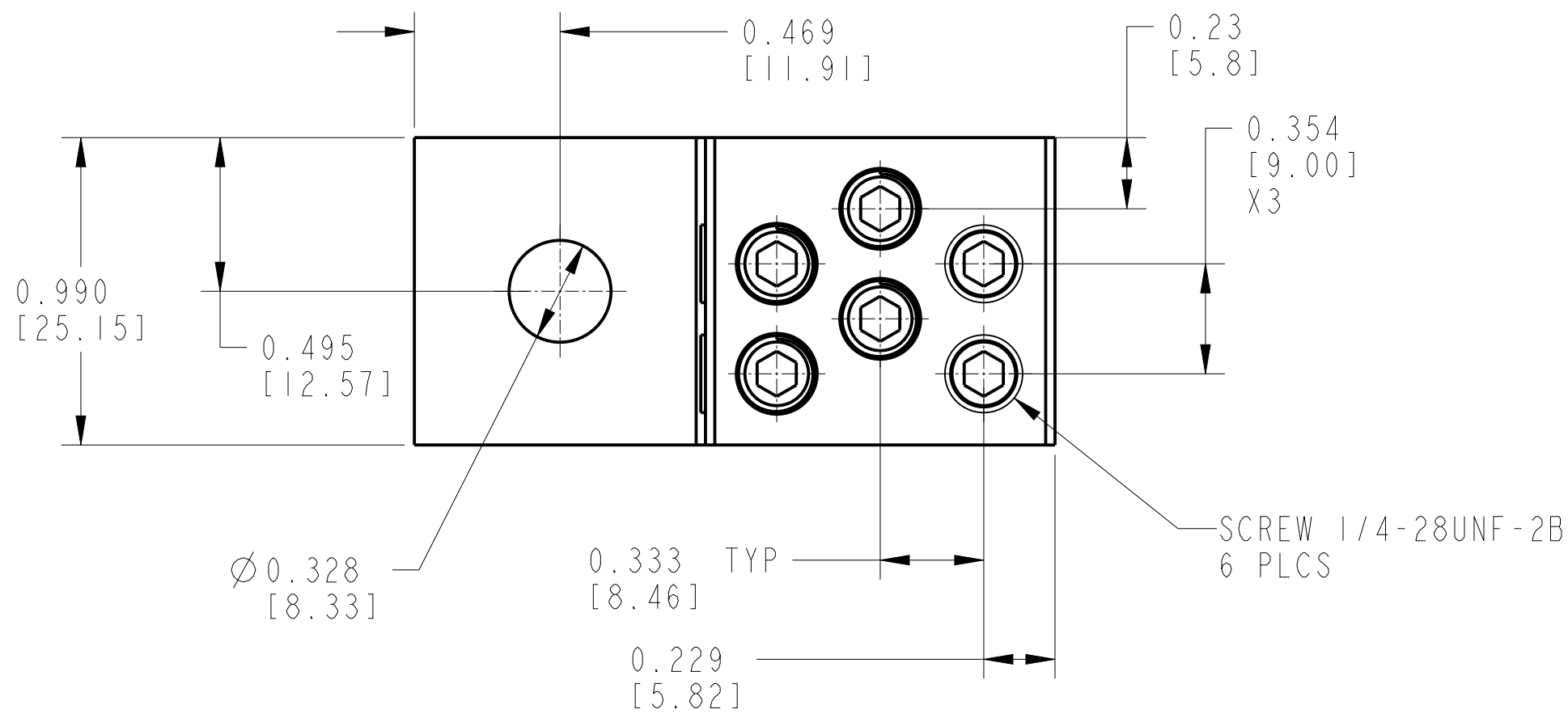


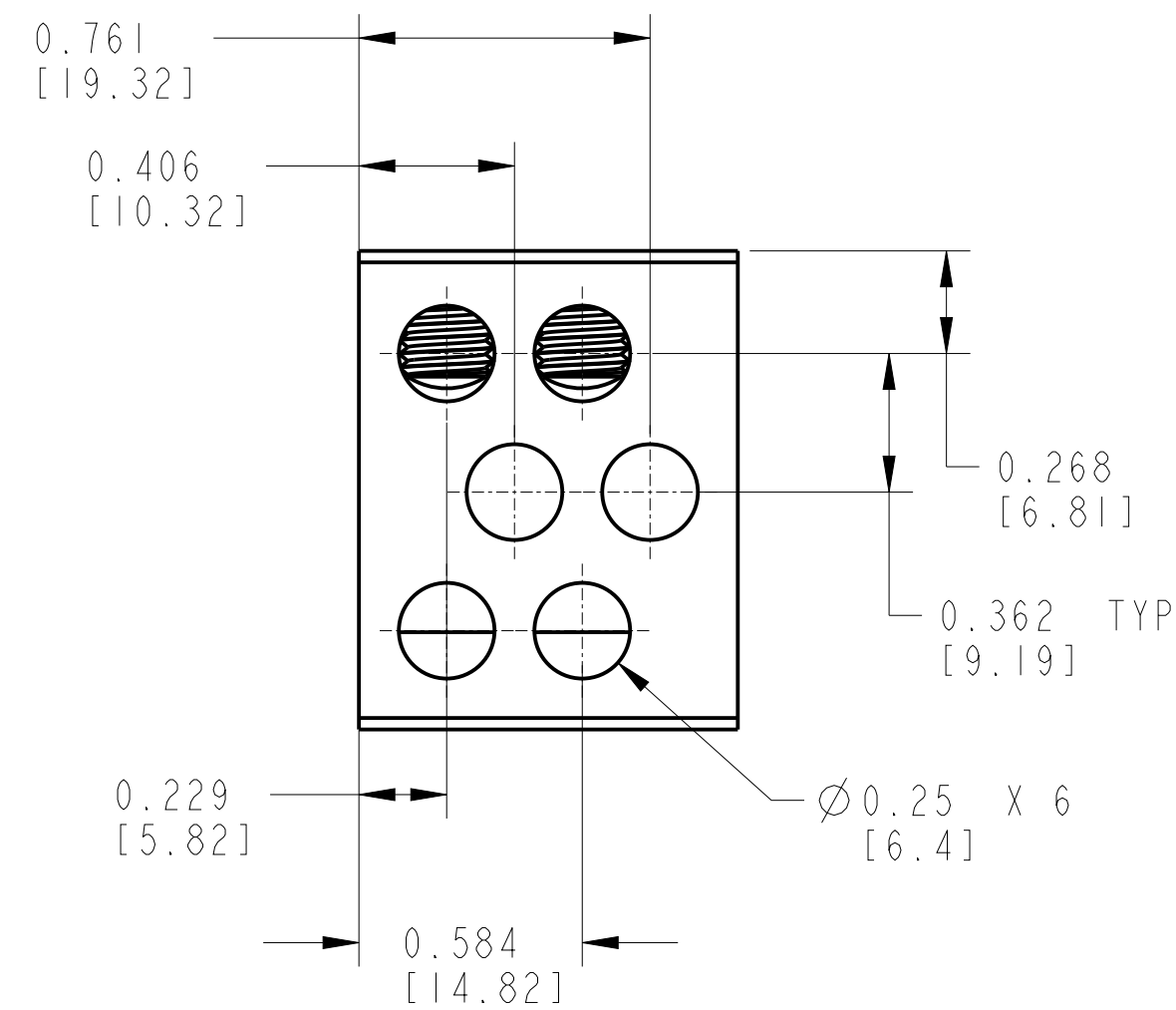
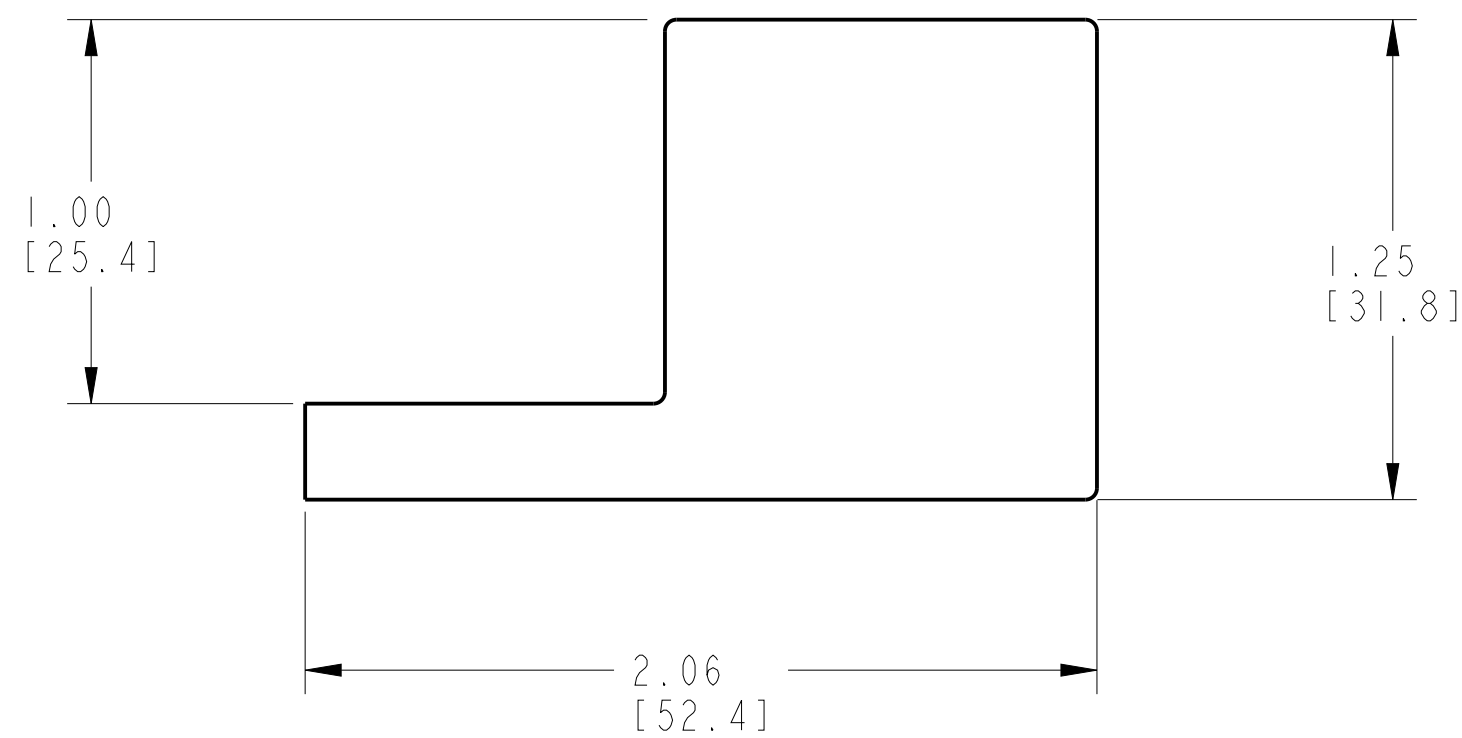
CRITICAL TO QUALITY CLASSIFICATION TABLE

P=PERFORMANCE, F=FIT, A=ASSEMBLY
 X=IDENTIFIES APPLICABLE CLASSIFICATION(S)
 ◇=ENGINEERING AND/OR MANUFACTURING REQUIREMENT
 ⊕=REGULATORY REQUIREMENT-CONFORMANCE IS MANDATORY

COMMENTS	DRAWING ZONE	P	F	A	X
ROHS	G1-H1				X



ISOMETRIC VIEW



MUST COMPLY WITH ROCKWELL
 AUTOMATION ENVIRONMENTAL
 SPECIFICATION 970-20-01

NOTES:

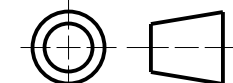
- APPROXIMATE DIMENSIONS ARE SHOWN IN INCHES [MILLIMETERS]. DIMENSIONS ARE NOT INTENDED TO BE USED FOR MANUFACTURING PURPOSES.

ALL UNDIMENSIONED GEOMETRIES ARE CONTROLLED BY THE CAD MODEL. IN CASE OF DIMENSION DISCREPANCY, CAD MODEL OVERRIDES.



CONFIDENTIAL AND PROPRIETARY INFORMATION. THIS DOCUMENT CONTAINS CONFIDENTIAL AND PROPRIETARY INFORMATION OF ROCKWELL AUTOMATION, INC. AND MAY NOT BE USED, COPIED OR DISCLOSED TO OTHERS, EXCEPT WITH THE AUTHORIZED WRITTEN PERMISSION OF ROCKWELL AUTOMATION, INC.

THIRD ANGLE PROJECTION



DESCRIPTION	1494U-LM200 CUSTOMER DRW	
CREATED BY:SGOWDAI	CHANGED BY:-	

DATE:2022-11-03	SHEET 1 OF 1	
SIZE DIR	10007061100	VER
C		00