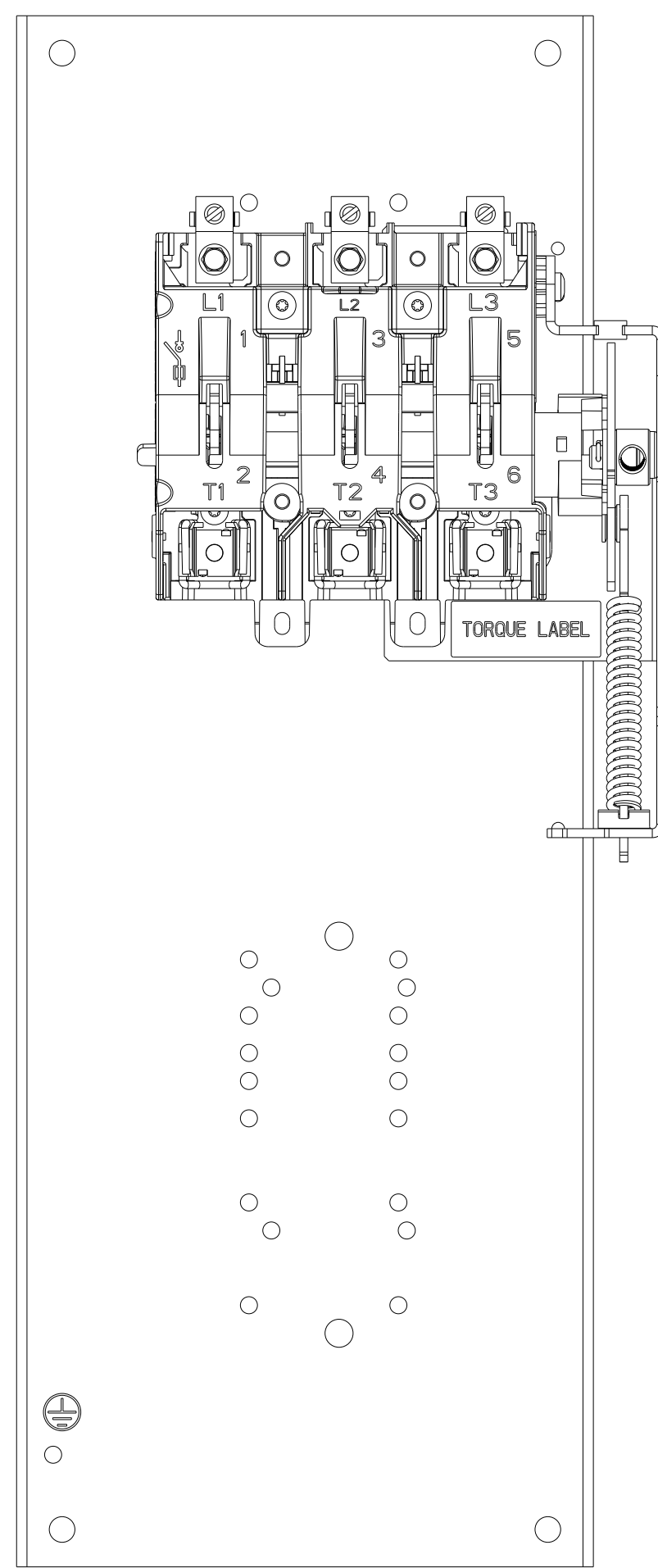
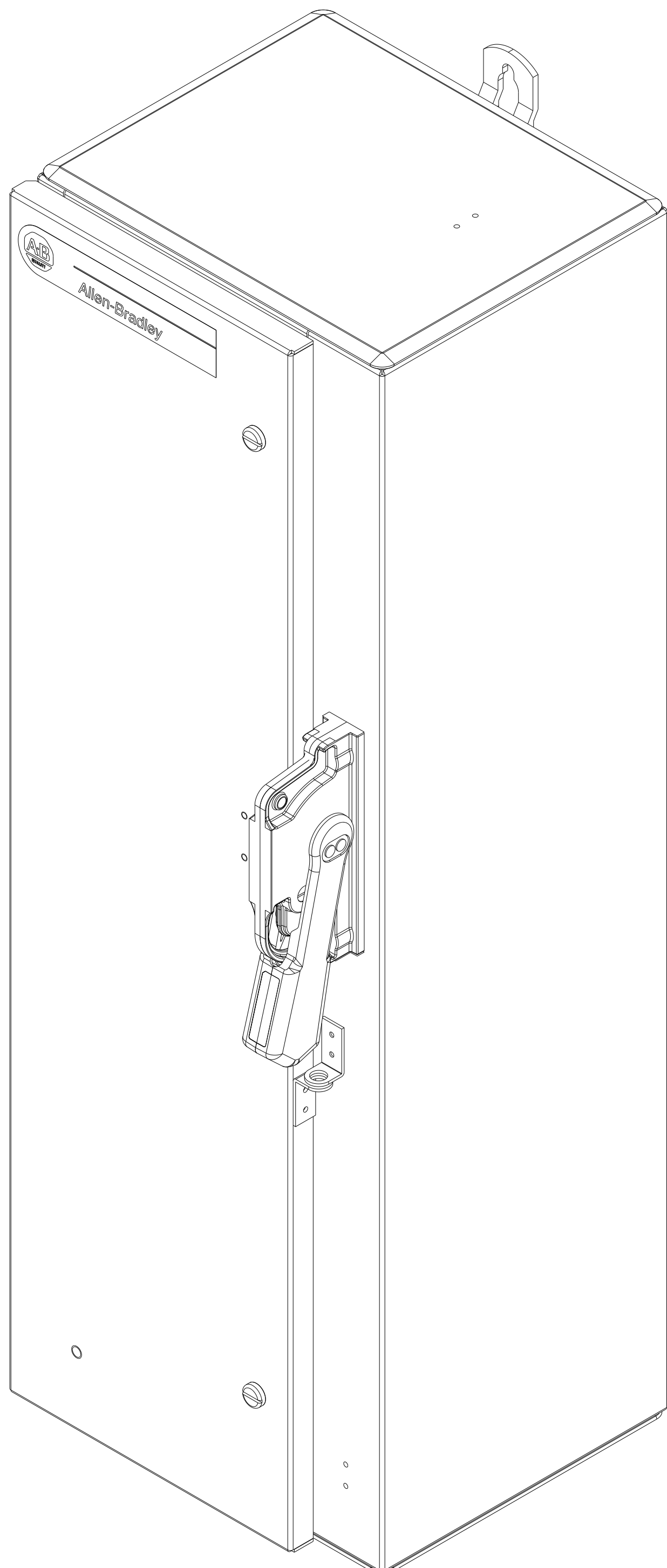


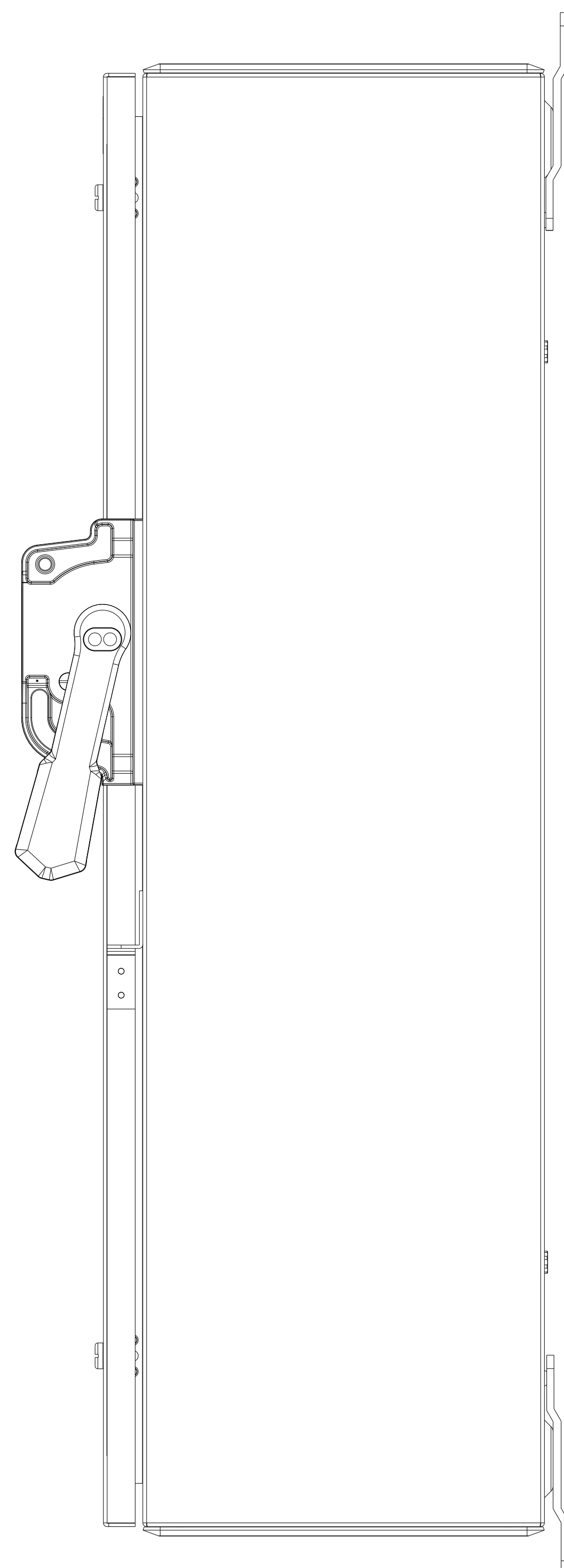
DOOR LAYOUT (FRONT)  
ENCLOSURE SHOWN W/DOOR, THIS VIEW



PANEL LAYOUT (FRONT)



ISOMETRIC VIEW (FRONT)

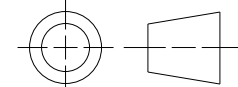


PANEL LAYOUT (SIDE)  
ENCLOSURE SHOWN W/DOOR, THIS VIEW

MUST COMPLY WITH ROCKWELL  
AUTOMATION ENVIRONMENTAL  
SPECIFICATION 970-20-01

ALL UNDIMENSIONED GEOMETRIES  
ARE CONTROLLED BY THE CAD  
MODEL. IN CASE OF DIMENSION  
DISCREPANCY, CAD MODEL  
OVERRIDES.

THIRD ANGLE PROJECTION



1494G PANEL LAYOUT 31X10 ENCLOSURE  
TYPE 12

CREATED BY: LEQUENTIN

CHANGED BY: \*\*\*\*\*

CONFIDENTIAL AND PROPRIETARY INFORMATION.  
THIS DOCUMENT CONTAINS CONFIDENTIAL AND PROPRIETARY  
INFORMATION OF ROCKWELL AUTOMATION, INC. AND MAY  
NOT BE USED, COPIED OR DISCLOSED TO OTHERS, EXCEPT  
WITH THE AUTHORIZED WRITTEN PERMISSION OF ROCKWELL  
AUTOMATION, INC.

DATE: 2023-07-19 SHEET 1 OF 1

SIZE: D1R VER:

D 10007502352 00