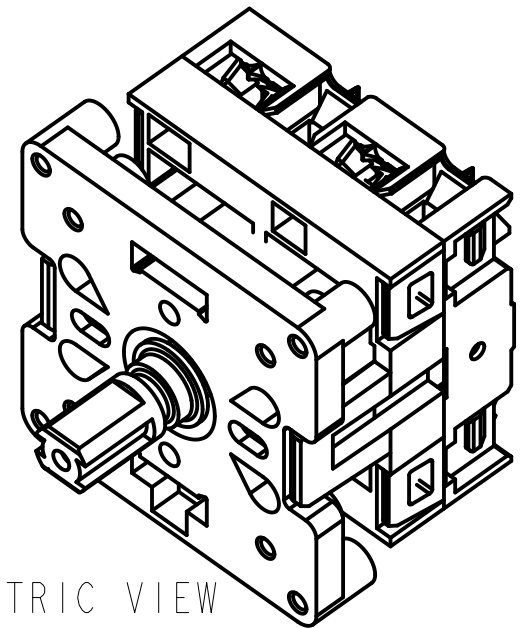
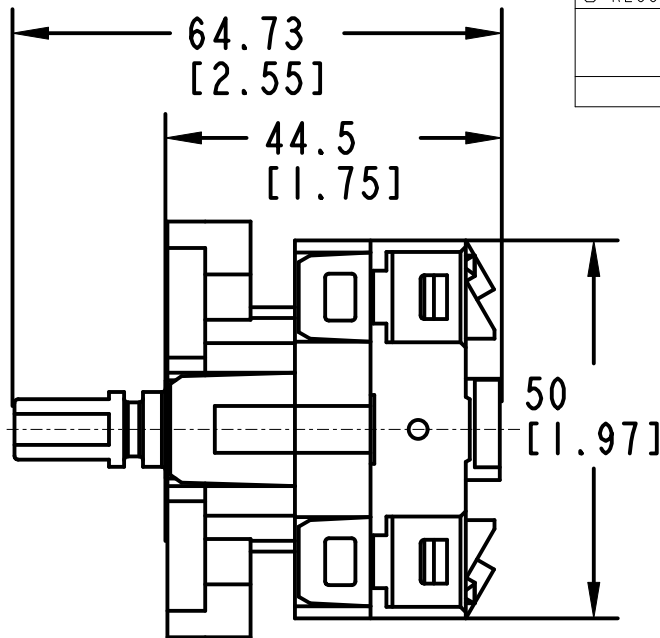
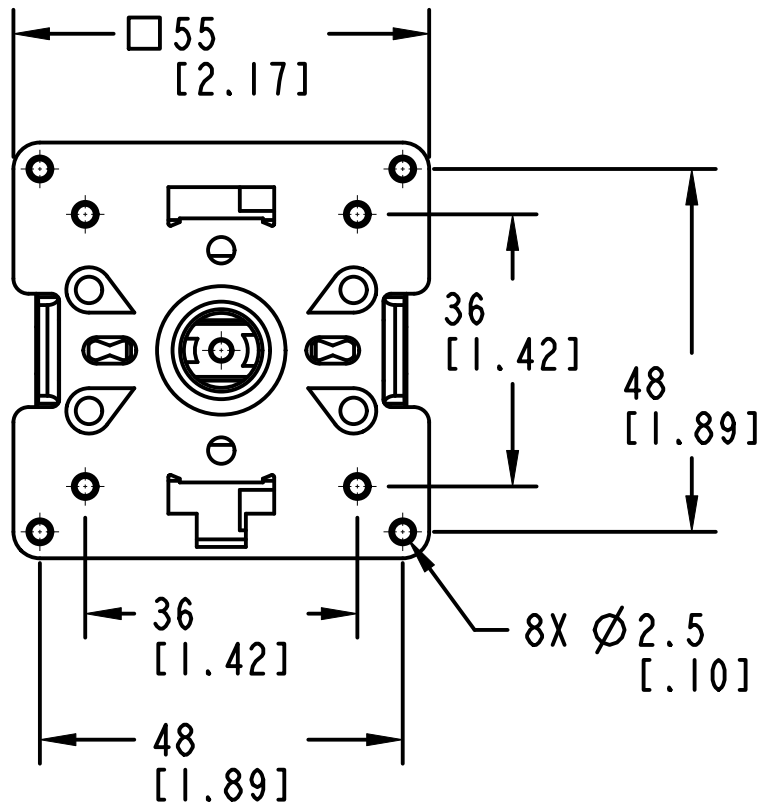


CRITICAL TO QUALITY CLASSIFICATION TABLE					
P=PERFORMANCE, F=FIT, A=ASSEMBLY X=IDENTIFIES APPLICABLE CLASSIFICATION(S) ◇=ENGINEERING AND/OR MANUFACTURING REQUIREMENT Ⓢ=REGULATORY REQUIREMENT-CONFORMANCE IS MANDATORY					
COMMENTS	DRAWING ZONE	P	F	A	R
ROHS	G-1				X



ISOMETRIC VIEW

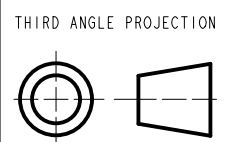
NOTE:  
1. APPROXIMATE DIMENSIONS ARE SHOWN IN MILLIMETERS [INCHES].  
DIMENSIONS ARE NOT INTENDED TO BE USED FOR MANUFACTURING PURPOSES.

MUST COMPLY WITH ROCKWELL AUTOMATION ENVIRONMENTAL SPECIFICATION 970-20-01

ALL UNDIMENSIONED GEOMETRIES ARE CONTROLLED BY THE CAD MODEL. IN CASE OF DIMENSION DISCREPANCY, CAD MODEL OVERRIDES.



CONFIDENTIAL AND PROPRIETARY INFORMATION. THIS DOCUMENT CONTAINS CONFIDENTIAL AND PROPRIETARY INFORMATION OF ROCKWELL AUTOMATION, INC. AND MAY NOT BE USED, COPIED OR DISCLOSED TO OTHERS, EXCEPT WITH THE AUTHORIZED WRITTEN PERMISSION OF ROCKWELL AUTOMATION, INC.



DESCRIPTION

**194L-E25-1752**  
CUSTOMER DRAWING

CREATED BY: AKHAN24

CHANGED BY: -

DATE: 2023-08-10		SHEET 1 OF 1	
SIZE	DIR	VER	
<b>A</b>	<b>10007521883</b>	<b>00</b>	