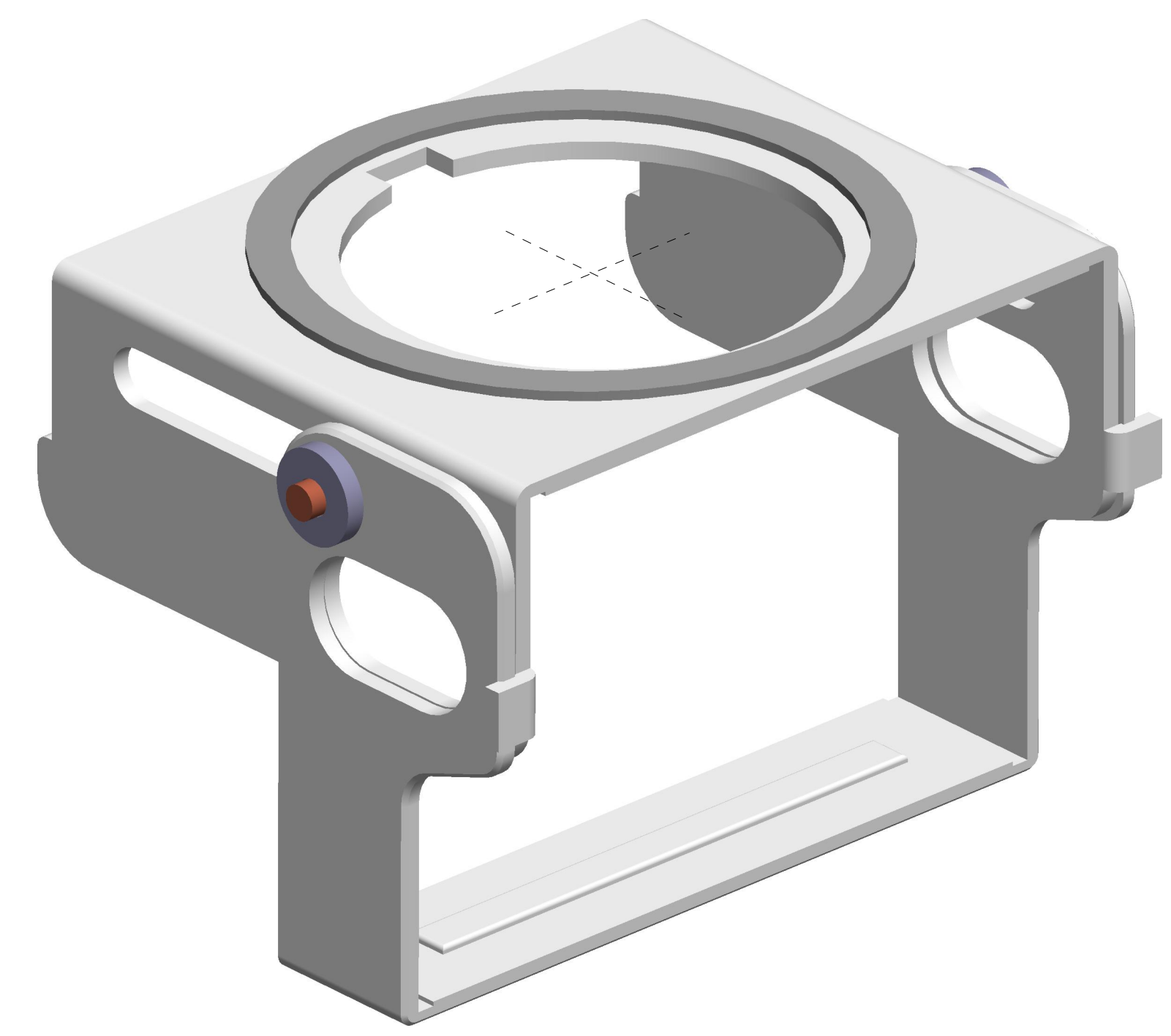
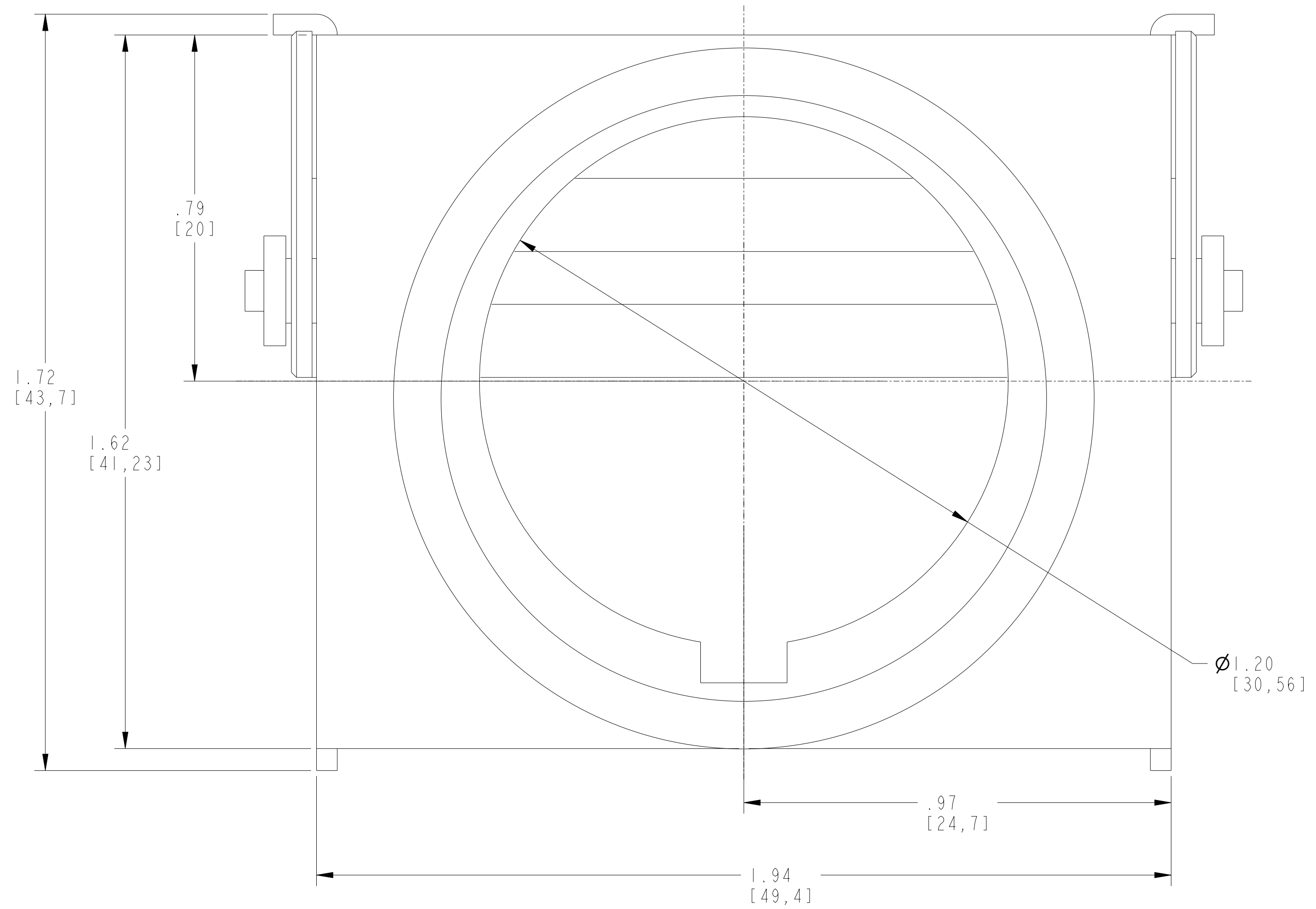
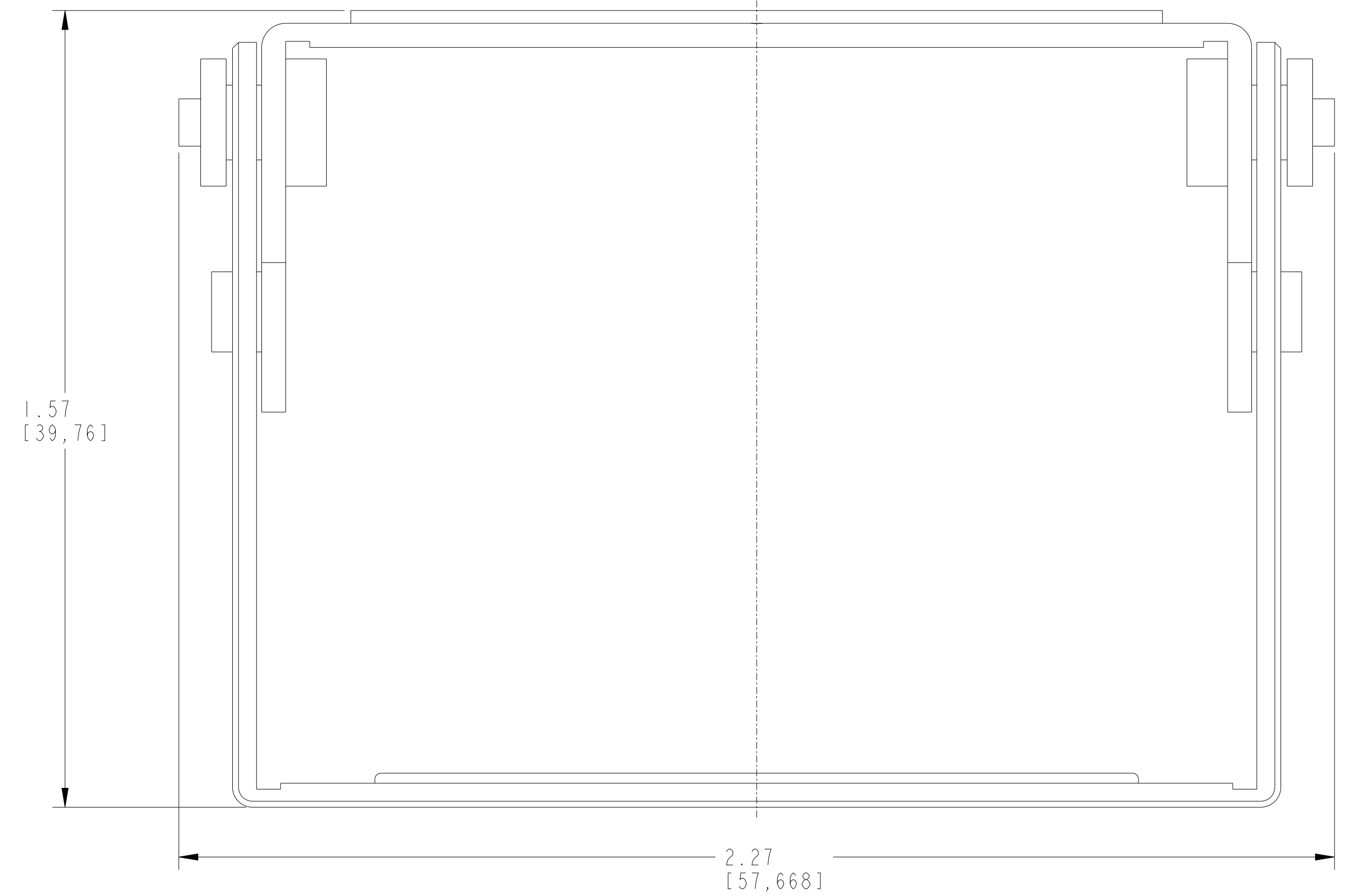


CRITICAL TO QUALITY CLASSIFICATION TABLE				
	P=PERFORMANCE, F=FIT, A=ASSEMBLY			
	X=IDENTIFIES APPLICABLE CLASSIFICATION(S)			
	◇=ENGINEERING AND/OR MANUFACTURING REQUIREMENT			
	⊙=REGULATORY REQUIREMENT-CONFORMANCE IS MANDATORY			
COMMENTS	DRAWING ZONE	◇	◇	◇
ROHS	GI-HI			X



SCALE 3.000
ISOMETRIC VIEW

NOTE :
1. APPROXIMATE DIMENSIONS ARE SHOWN IN MILLIMETERS (INCHES).
DIMENSIONS ARE NOT INTENDED TO BE USED FOR MANUFACTURING PURPOSES



MUST COMPLY WITH ROCKWELL AUTOMATION ENVIRONMENTAL SPECIFICATION 970-20-01

		CONFIDENTIAL AND PROPRIETARY INFORMATION. THIS DOCUMENT CONTAINS CONFIDENTIAL AND PROPRIETARY INFORMATION OF ROCKWELL AUTOMATION, INC. AND MAY NOT BE USED, COPIED OR DISCLOSED TO OTHERS, EXCEPT WITH THE AUTHORIZED WRITTEN PERMISSION OF ROCKWELL AUTOMATION, INC.	
		DATE: 2024-01-30	SHEET 1 OF 1
DESCRIPTION	800T-N378,CUSTOMER DRAWING	SIZE	D1R
CREATED BY: SN5	CHANGED BY: -	D	10007793699
			00