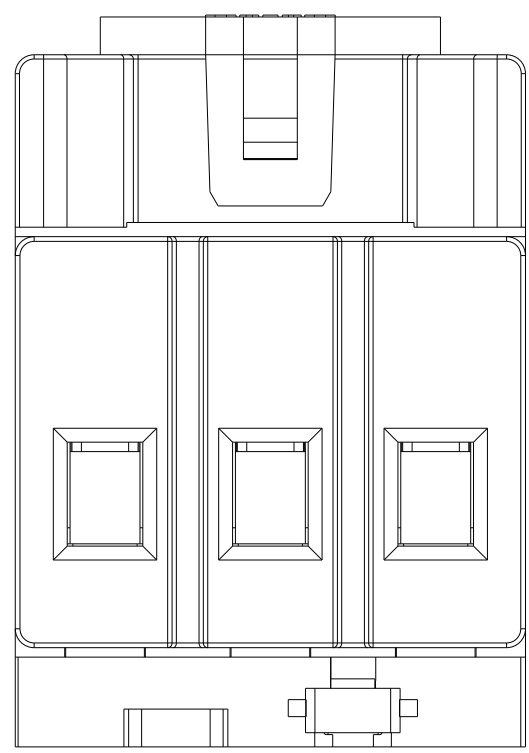
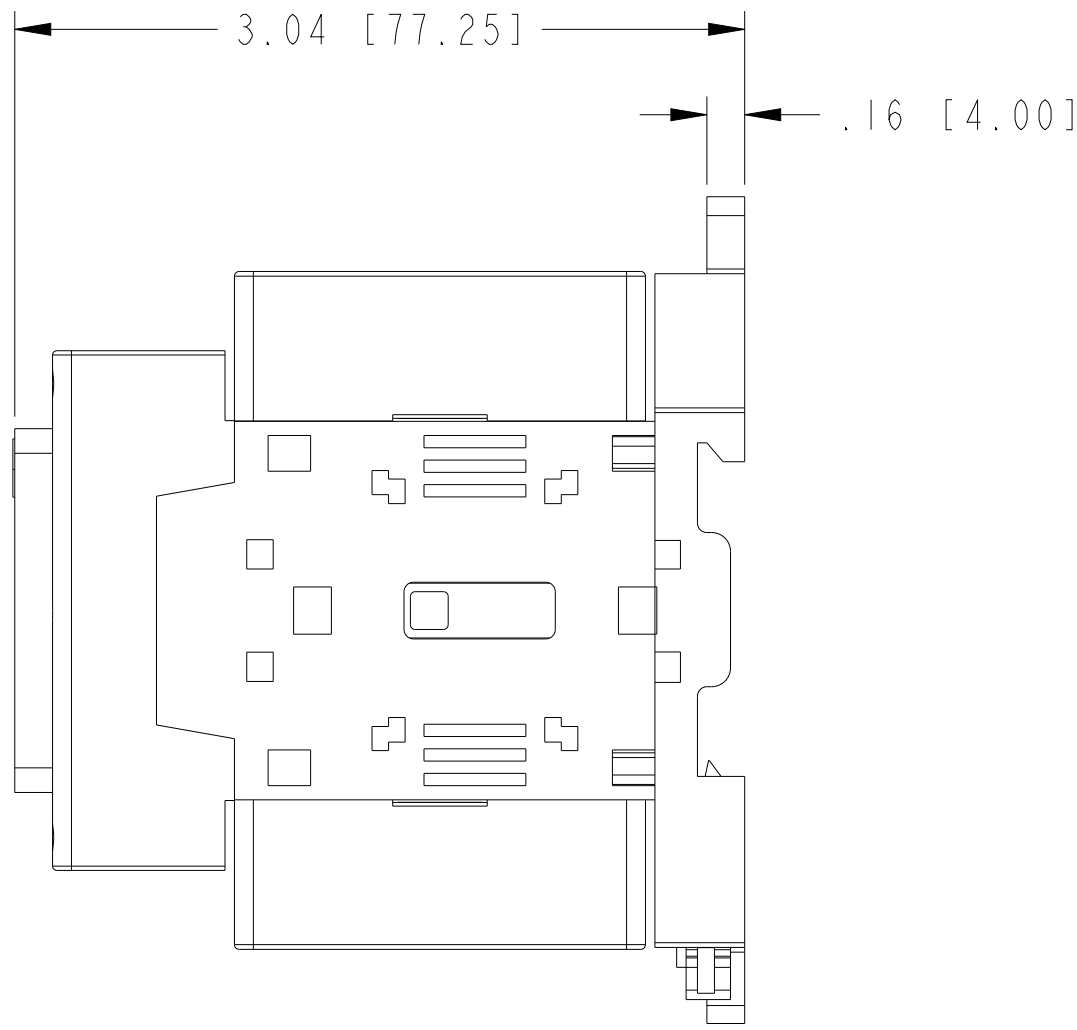
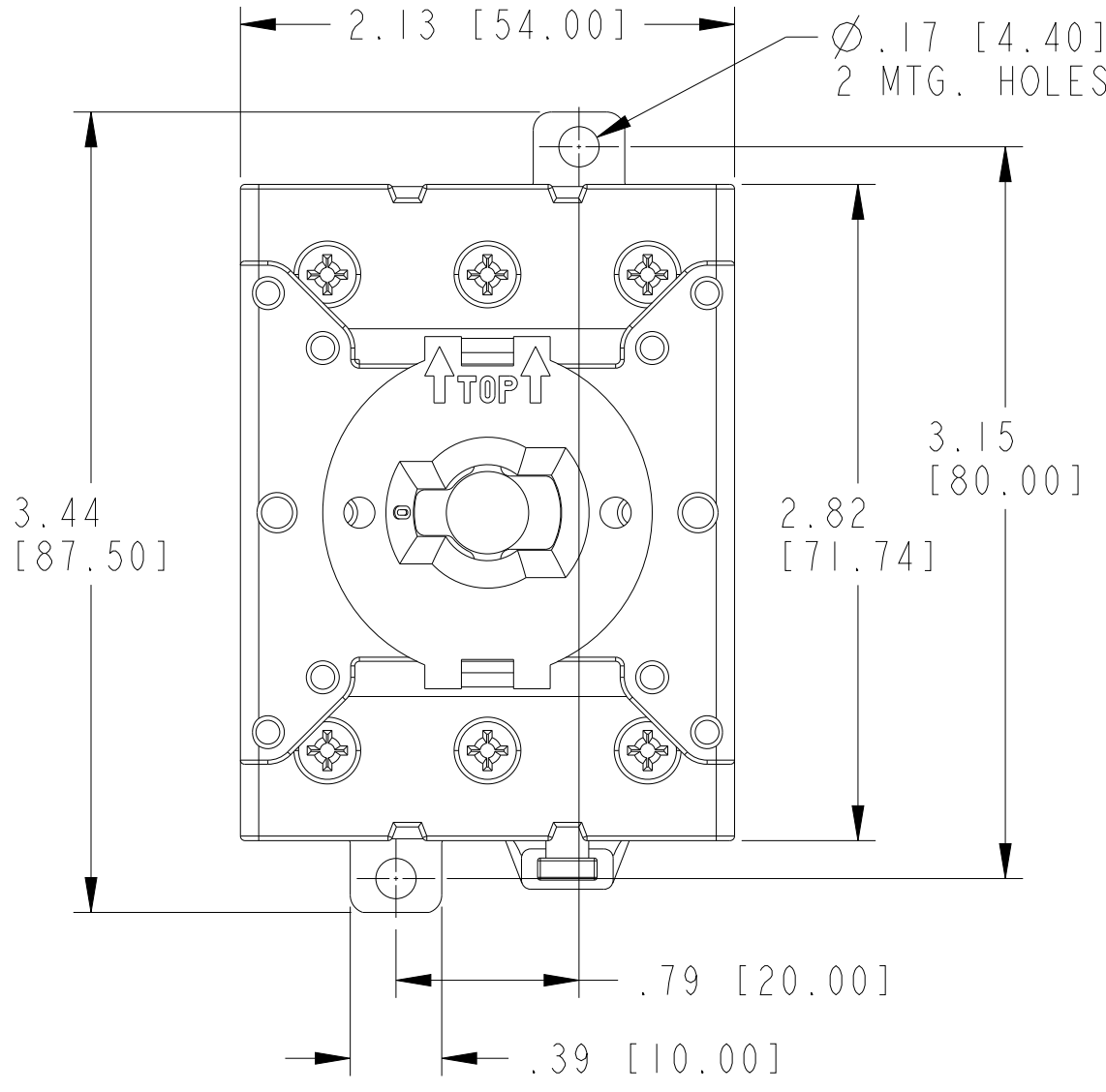
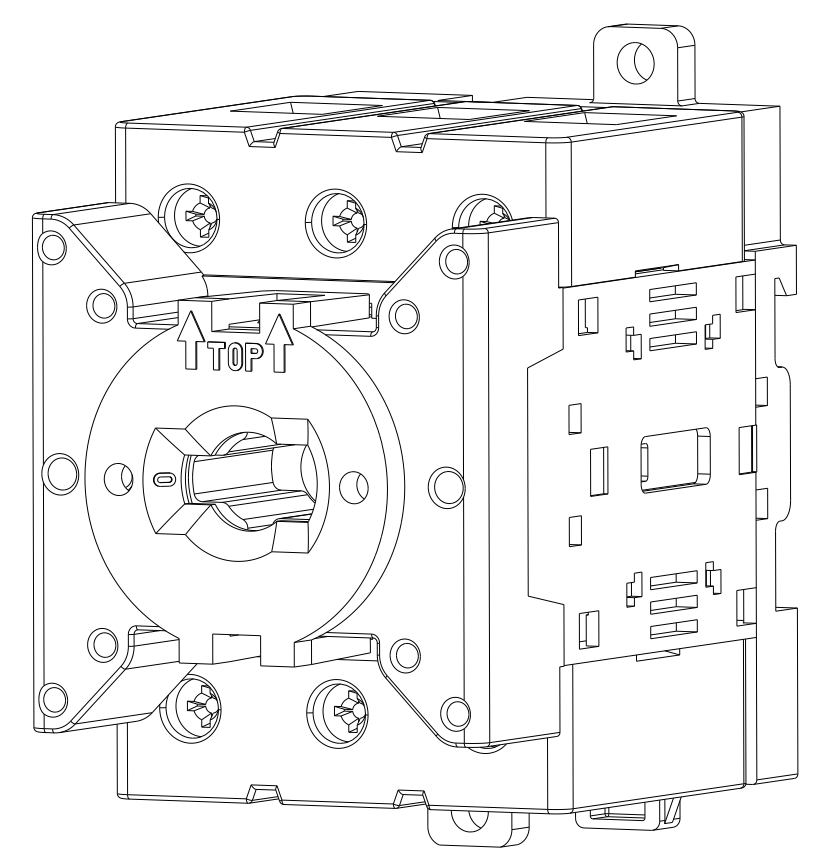
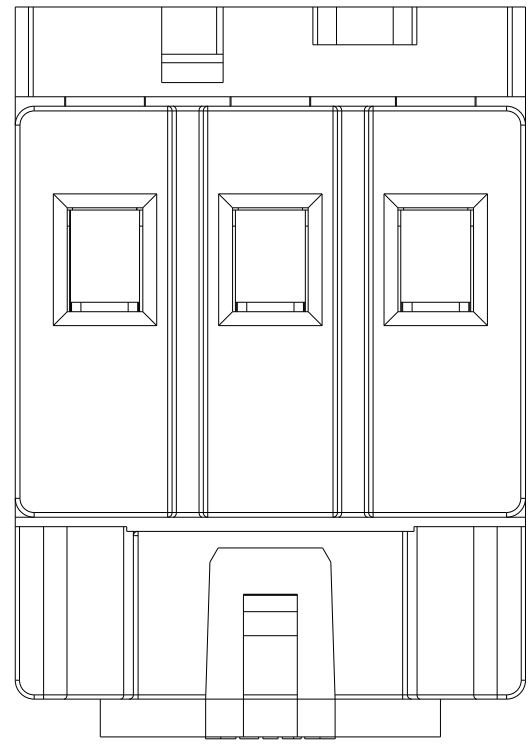


1 2 3 4 5 6 7 8

A
B
C
D
E
F
G
H

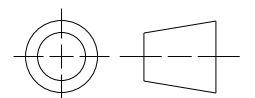


NOTES:
 1. DIMENSIONS SHOWN ARE FOR REFERENCE ONLY.
 NOT INTENDED FOR MANUFACTURING PURPOSES.
 2. DIMENSIONS IN BRACKETS ARE IN MILLIMETERS.

MUST COMPLY WITH ROCKWELL
 AUTOMATION ENVIRONMENTAL
 SPECIFICATION 970-20-01

ALL UNDIMENSIONED GEOMETRIES
 ARE CONTROLLED BY THE CAD
 MODEL. IN CASE OF DIMENSION
 DISCREPANCY, CAD MODEL
 OVERRIDES.

THIRD ANGLE PROJECTION



CUSTOMER OUTLINE DRAWING
BASE/DIN MOUNT SWITCH
194E, 63 AMP ASSEMBLY

CREATED BY:LEQUENTIN

CHANGED BY:*****

10007816244 CAD MODEL

CONFIDENTIAL AND PROPRIETARY INFORMATION.
 THIS DOCUMENT CONTAINS CONFIDENTIAL AND PROPRIETARY
 INFORMATION OF ROCKWELL AUTOMATION, INC. AND MAY
 NOT BE USED, COPIED OR DISCLOSED TO OTHERS, EXCEPT
 WITH THE AUTHORIZED WRITTEN PERMISSION OF ROCKWELL
 AUTOMATION, INC.

DATE:2024-02-13 SHEET 1 OF 1

SIZE	DIR	VER
c	10007816740	00

1 2 3 4 5 6 7 8