

1 2 3 4 5 6 7 8

A

B

C

D

E

F

G

H

A

B

C

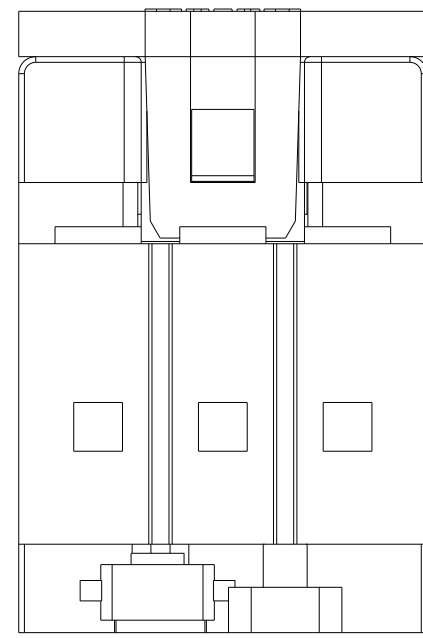
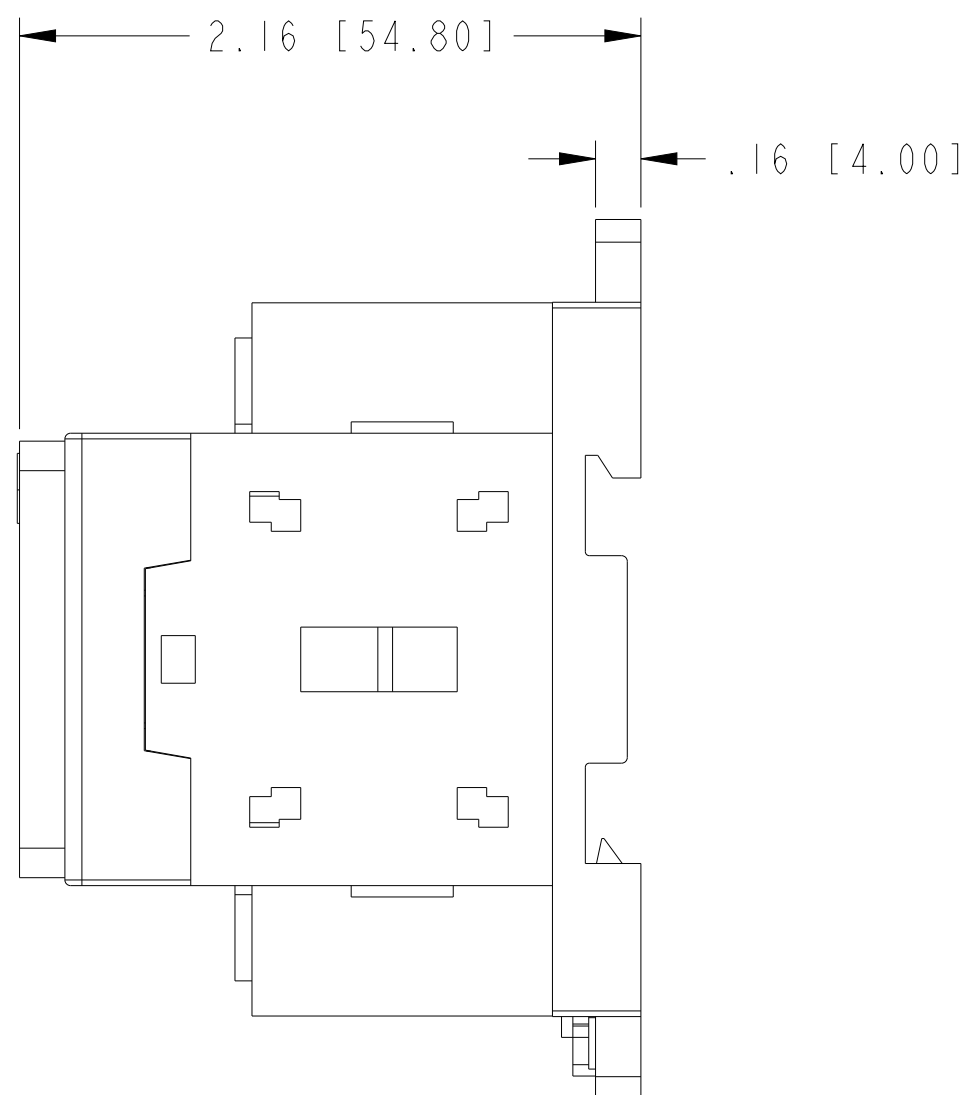
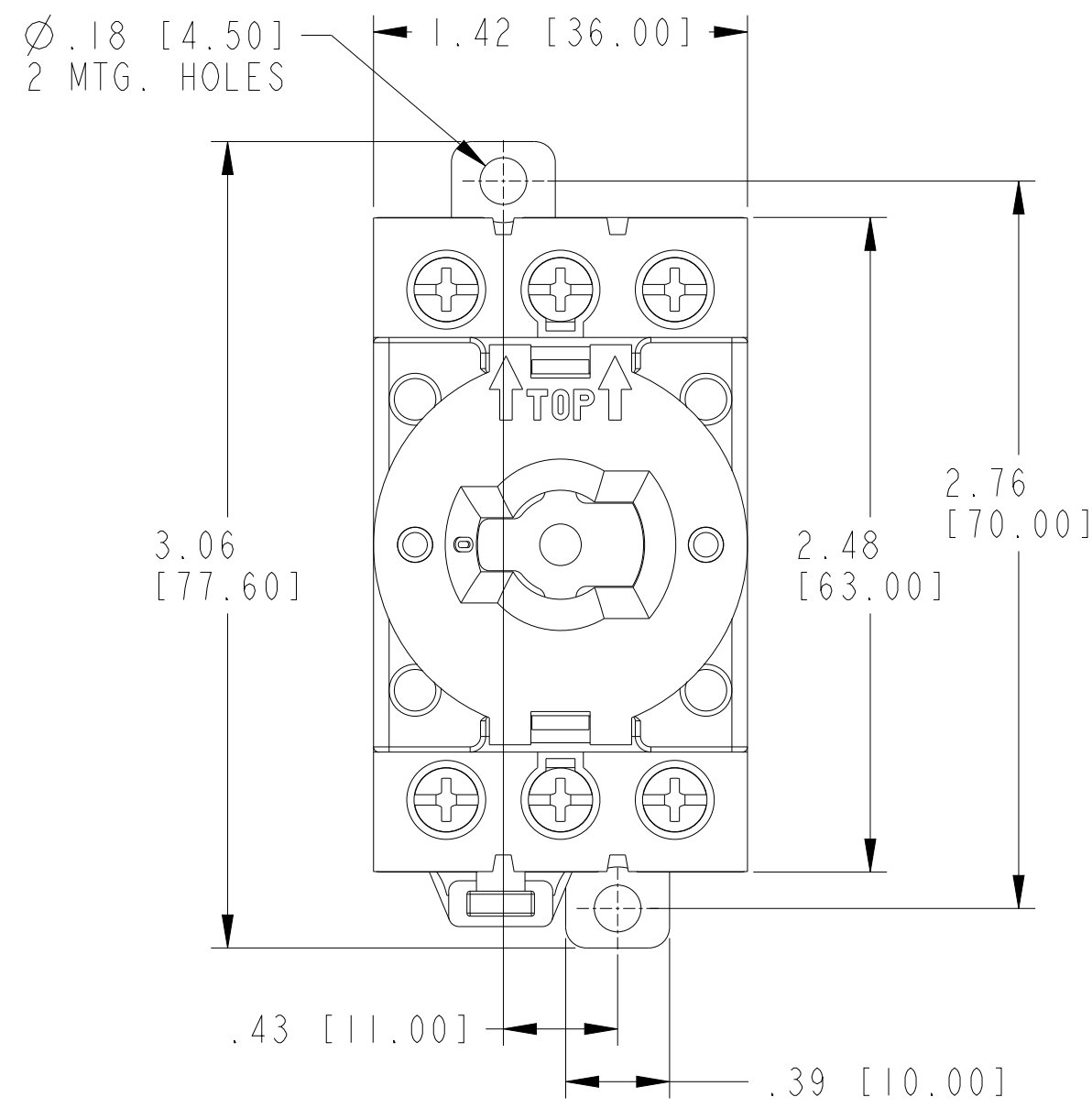
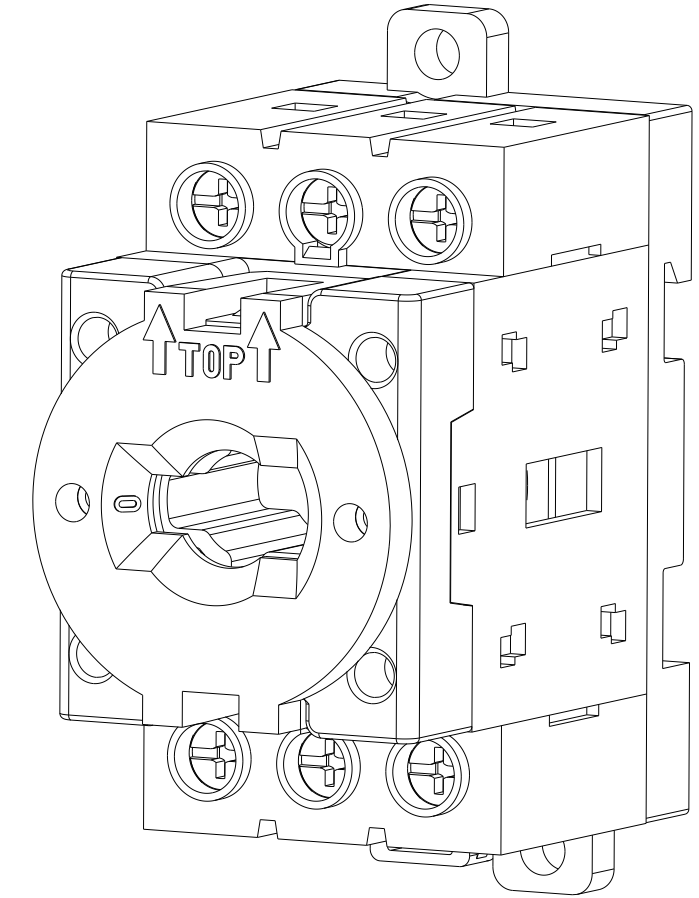
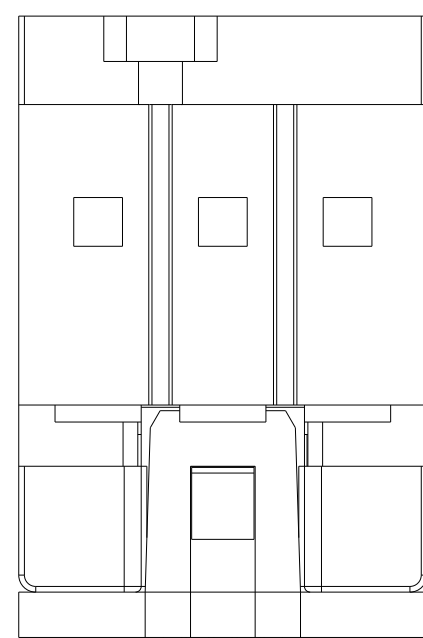
D

E

F

G

H

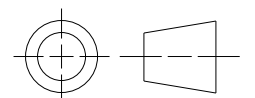


NOTES:  
 1. DIMENSIONS SHOWN ARE FOR REFERENCE ONLY.  
 NOT INTENDED FOR MANUFACTURING PURPOSES.  
 2. DIMENSIONS IN BRACKETS ARE IN MILLIMETERS.

MUST COMPLY WITH ROCKWELL  
 AUTOMATION ENVIRONMENTAL  
 SPECIFICATION 970-20-01

ALL UNDIMENSIONED GEOMETRIES  
 ARE CONTROLLED BY THE CAD  
 MODEL. IN CASE OF DIMENSION  
 DISCREPANCY, CAD MODEL  
 OVERRIDES.

THIRD ANGLE PROJECTION



**CUSTOMER OUTLINE DRAWING**  
**BASE/DIN MOUNT SWITCH**  
**194E, 16 AMP ASSEMBLY**

CREATED BY: LEQUENTIN

CHANGED BY: \*\*\*\*\*

10007825637 CAD MODEL

CONFIDENTIAL AND PROPRIETARY INFORMATION.  
 THIS DOCUMENT CONTAINS CONFIDENTIAL AND PROPRIETARY  
 INFORMATION OF ROCKWELL AUTOMATION, INC. AND MAY  
 NOT BE USED, COPIED OR DISCLOSED TO OTHERS, EXCEPT  
 WITH THE AUTHORIZED WRITTEN PERMISSION OF ROCKWELL  
 AUTOMATION, INC.

DATE: 2024-02-19 SHEET 1 OF 1

SIZE DIR VER

**c 10007825638 00**

1 2 3 4 5 6 7 8