

Ø .22 [5.60]
2 MTG. HOLES

2.83 [72.00]

3.52 [89.30]

.16 [4.00]

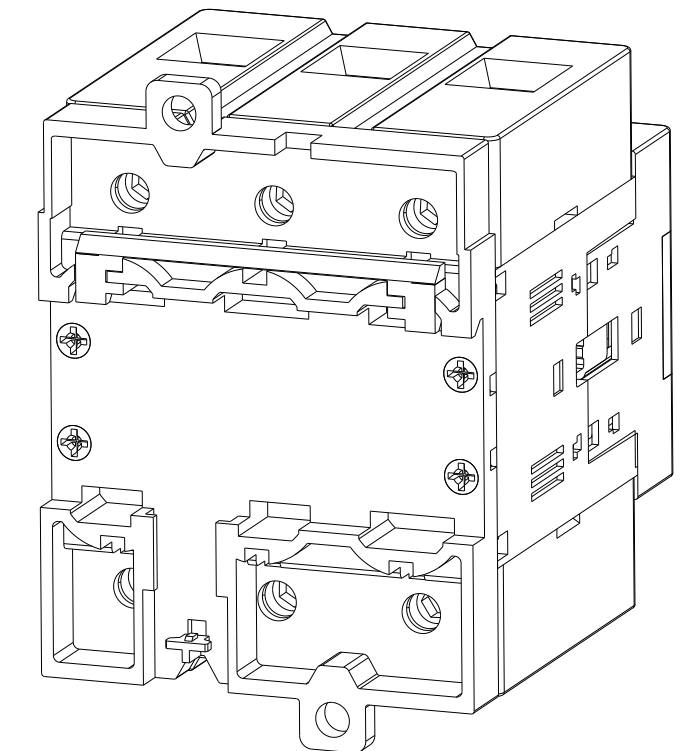
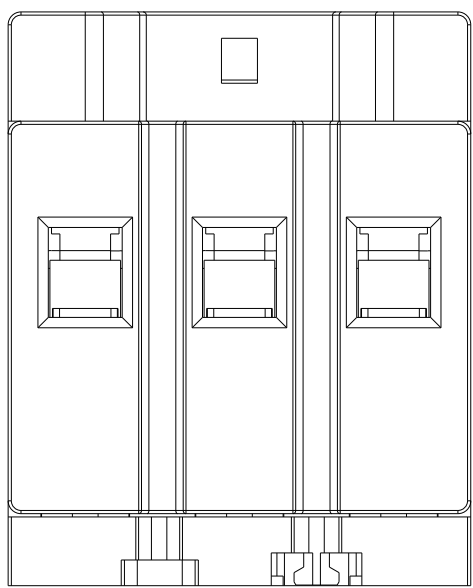
4.15 [105.40]

3.76 [95.40]

3.52 [89.50]

.98 [24.80]

.43 [11.00]



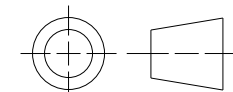
NOTES:

1. DIMENSIONS SHOWN ARE FOR REFERENCE ONLY. NOT INTENDED FOR MANUFACTURING PURPOSES.
2. DIMENSIONS IN BRACKETS ARE IN MILLIMETERS.

MUST COMPLY WITH ROCKWELL
AUTOMATION ENVIRONMENTAL
SPECIFICATION 970-20-01

ALL UNDIMENSIONED GEOMETRIES
ARE CONTROLLED BY THE CAD
MODEL. IN CASE OF DIMENSION
DISCREPANCY, CAD MODEL
OVERRIDES.

THIRD ANGLE PROJECTION



CUSTOMER OUTLINE DRAWING
FRONT/DOOR MOUNT SWITCH
194E, 100 AMP ASSEMBLY

CREATED BY: LEQUENTIN

CHANGED BY: *****

10007833430

CAD MODEL

CONFIDENTIAL AND PROPRIETARY INFORMATION.
THIS DOCUMENT CONTAINS CONFIDENTIAL AND PROPRIETARY
INFORMATION OF ROCKWELL AUTOMATION, INC. AND MAY
NOT BE USED, COPIED OR DISCLOSED TO OTHERS, EXCEPT
WITH THE AUTHORIZED WRITTEN PERMISSION OF ROCKWELL
AUTOMATION, INC.

DATE: 2024-02-22

SHEET 1 OF 1

SIZE DIR

C

10007833431

VER

00