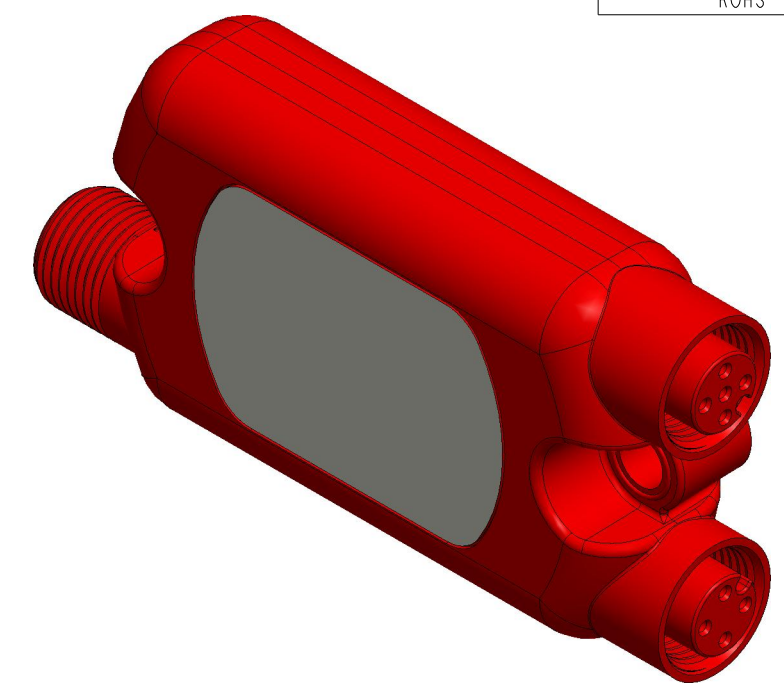
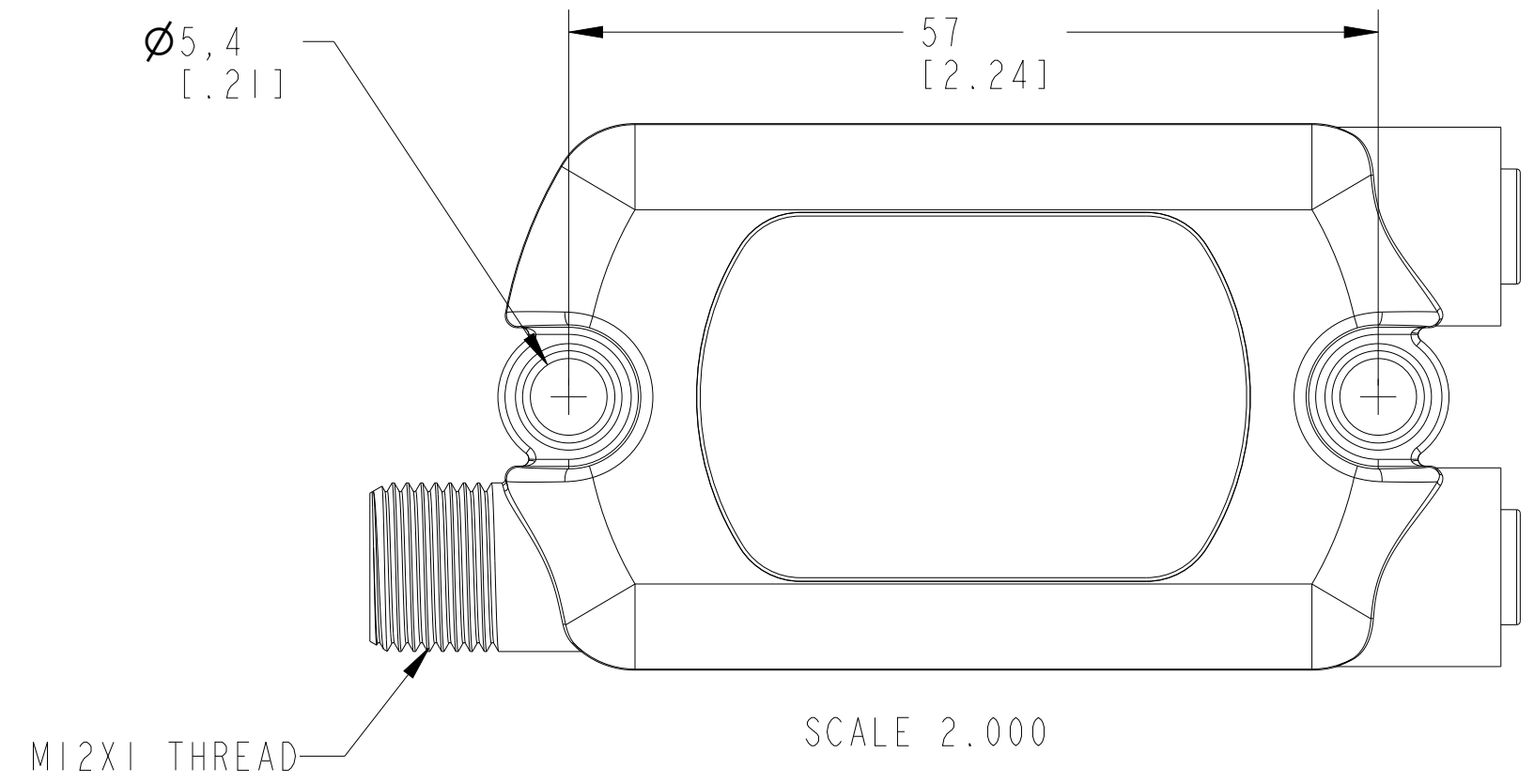
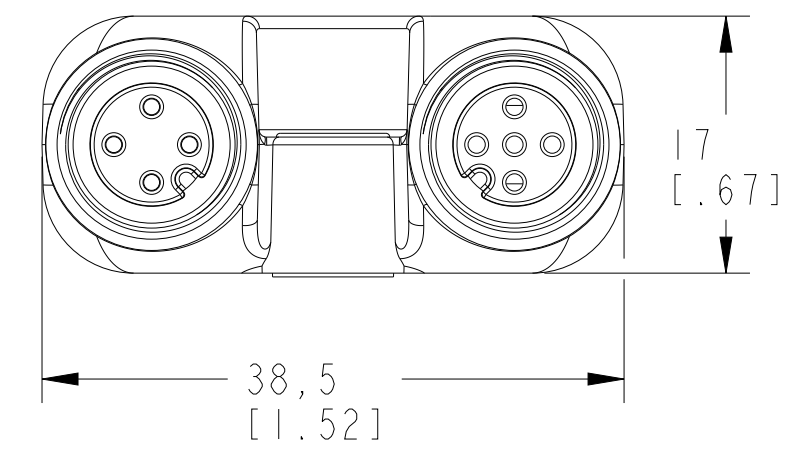
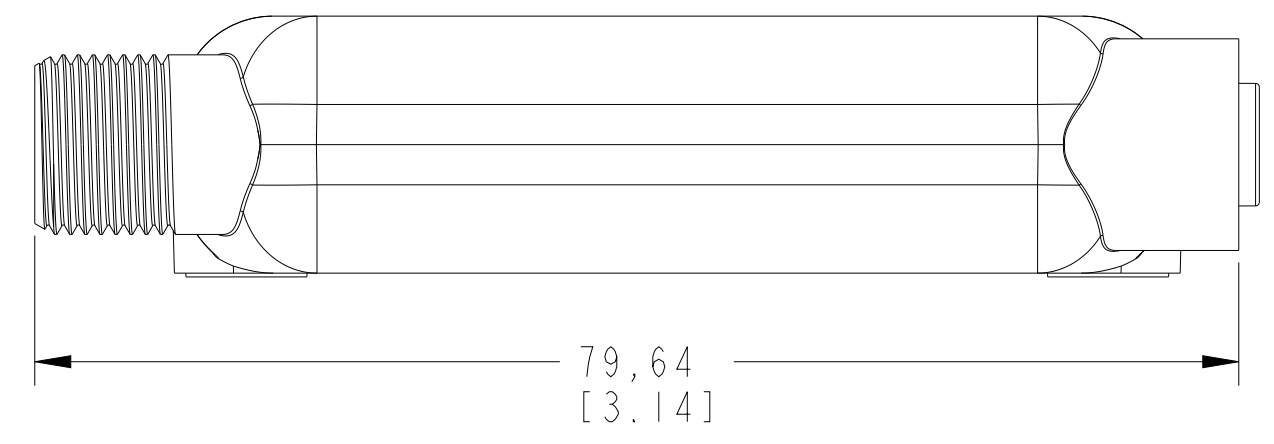


CRITICAL TO QUALITY CLASSIFICATION TABLE					
P=PERFORMANCE, F=FIT, A=ASSEMBLY					
X=IDENTIFIES APPLICABLE CLASSIFICATION(S)					
◇=ENGINEERING AND/OR MANUFACTURING REQUIREMENT					
Ⓜ=REGULATORY REQUIREMENT-CONFORMANCE IS MANDATORY					
COMMENTS	DRAWING ZONE	P	F	A	R
ROHS	G1-HI				X



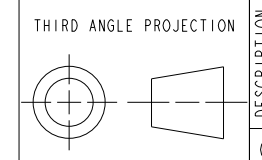
ISOMETRIC VIEW



MUST COMPLY WITH ROCKWELL AUTOMATION ENVIRONMENTAL SPECIFICATION 970-20-01

NOTES:
1. APPROXIMATE DIMENSIONS ARE SHOWN IN MILLIMETERS [INCHES]. DIMENSIONS ARE NOT INTENDED TO BE USED FOR MANUFACTURING PURPOSES.

ALL UNDIMENSIONED GEOMETRIES ARE CONTROLLED BY THE CAD MODEL. IN CASE OF DIMENSION DISCREPANCY, CAD MODEL OVERRIDES.



CONFIDENTIAL AND PROPRIETARY INFORMATION. THIS DOCUMENT CONTAINS CONFIDENTIAL AND PROPRIETARY INFORMATION OF ROCKWELL AUTOMATION, INC. AND MAY NOT BE USED, COPIED OR DISCLOSED TO OTHERS, EXCEPT WITH THE AUTHORIZED WRITTEN PERMISSION OF ROCKWELL AUTOMATION, INC.

DESCRIPTION	440S-SF5D /440S-MF5D/440S-PF5D	
	5-PIN GURDLINK TAP(ENABLED/PASSIVE) CUSTOMER REFERENCE	
CREATED BY: SN5	CHANGED BY: -	

DATE: 2024-04-16		SHEET 1 OF 1	
SIZE	DIR	VER	
B	10007915157	01	