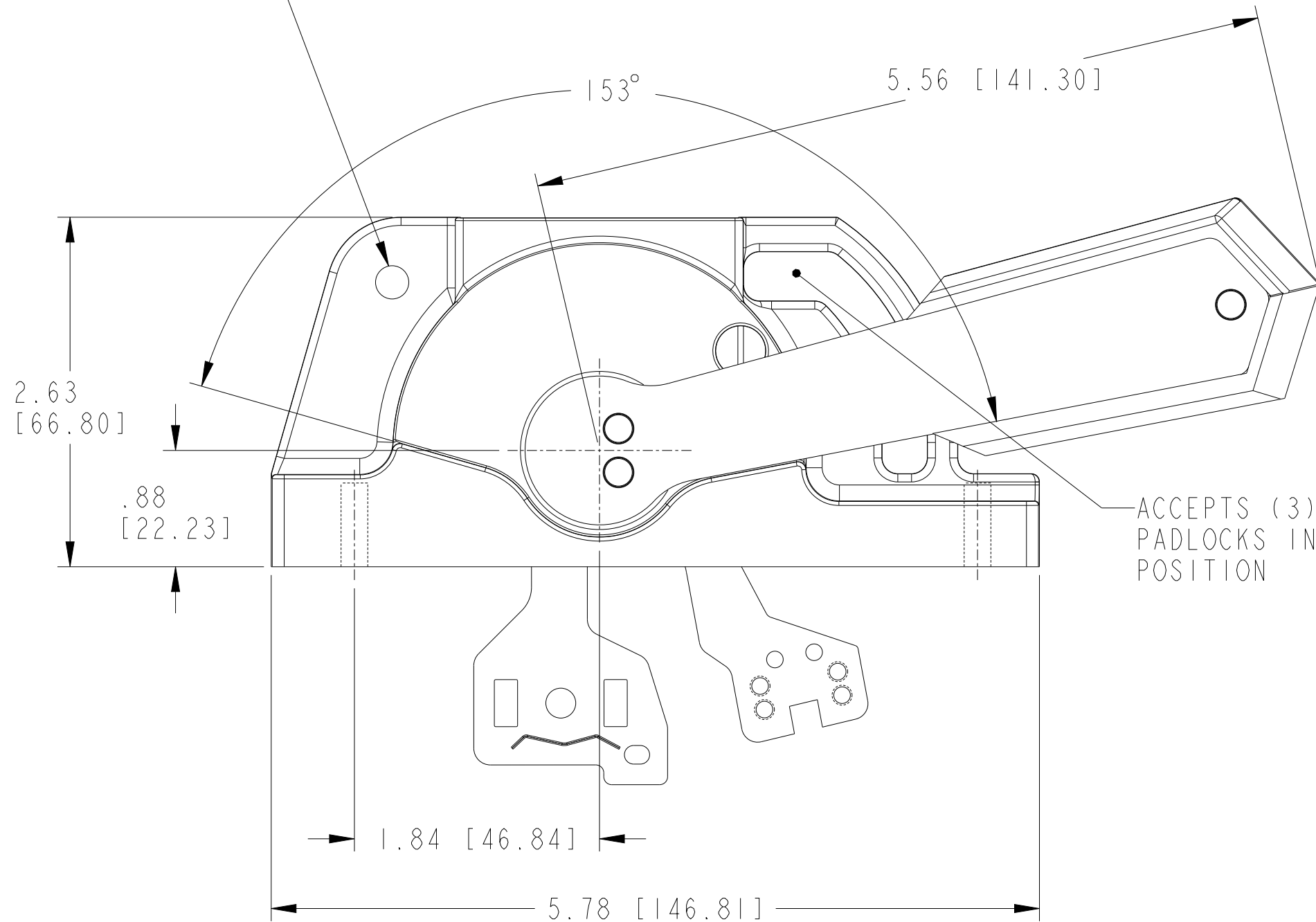
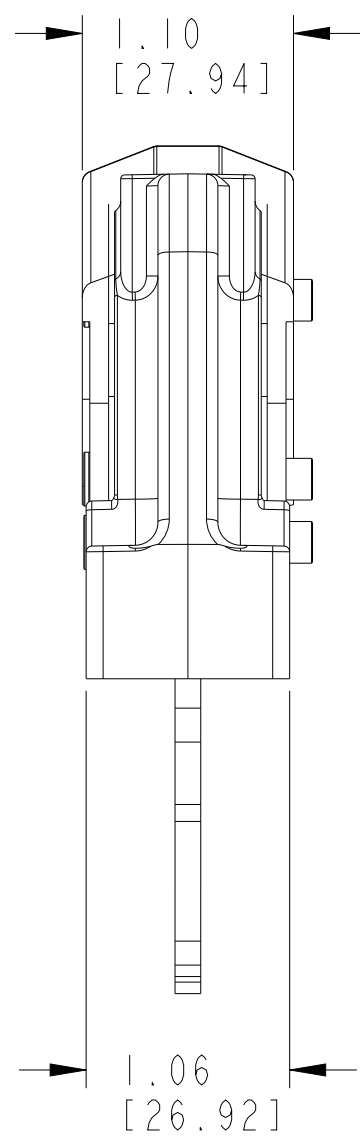
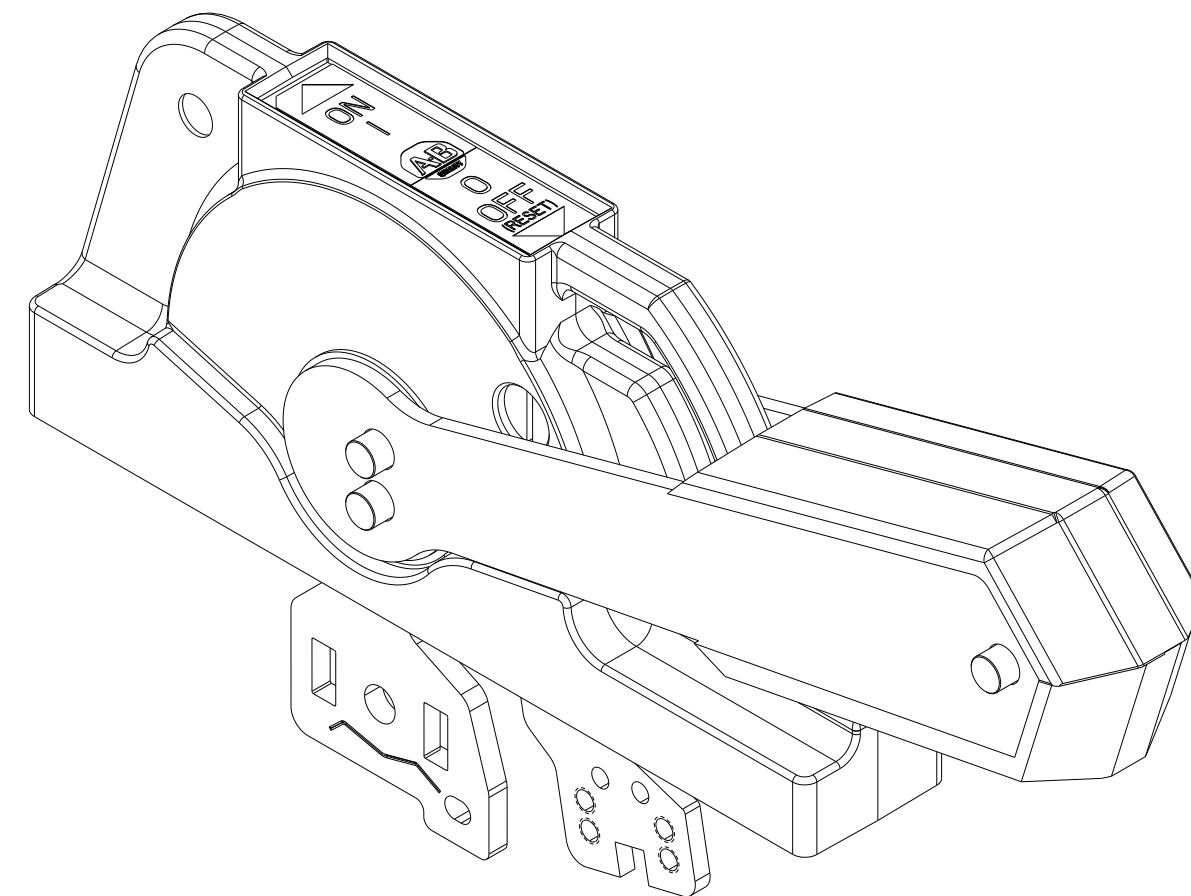


CAN BE DRILLED OUT FOR 5/16 DIA. PADLOCK TO LOCK IN "ON" POSITION

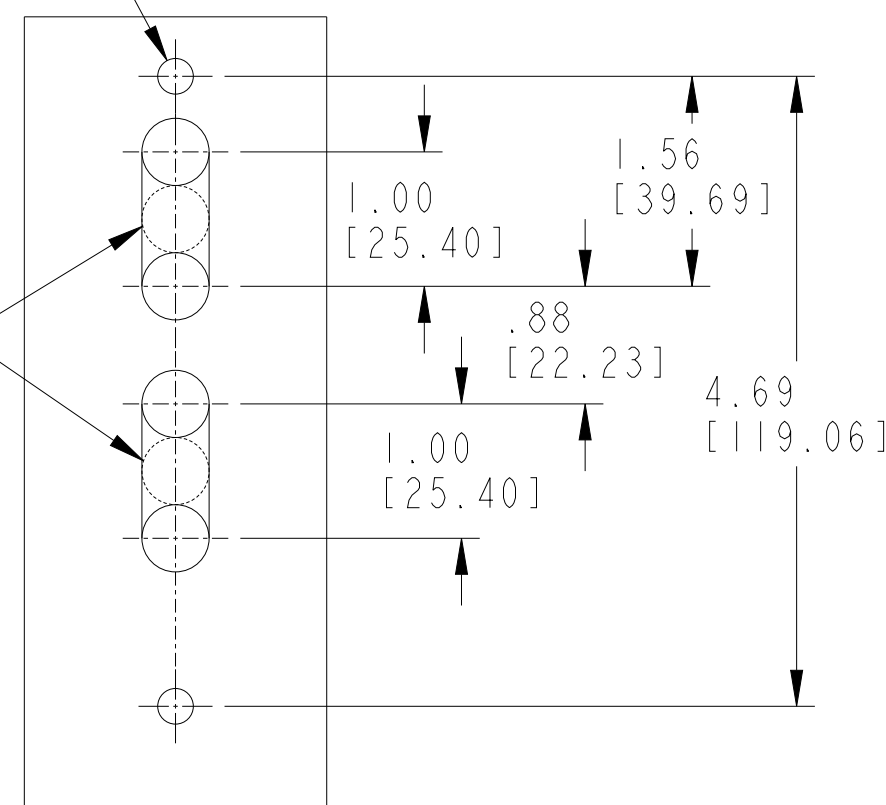


ACCEPTS (3) \varnothing 5/16 PADLOCKS IN "OFF" POSITION



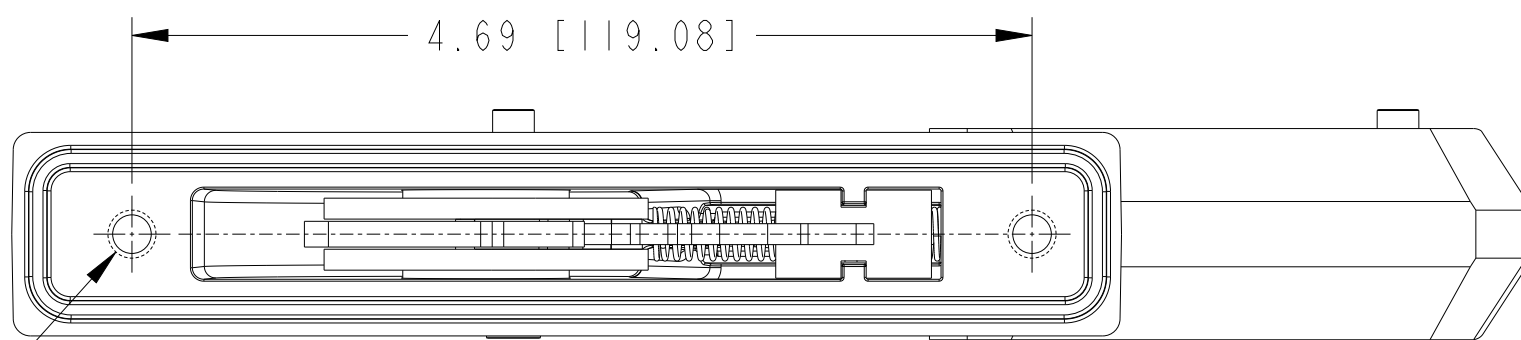
\varnothing .27 [6.73] 2 HOLES

TO MAKE SLOT DRILL (3) \varnothing 1/2" [12.7] HOLES AND REMOVE BURRS



ENCLOSURE FLANGE CUTOUT

1/4-20 UNC 2B THD 2 HOLES

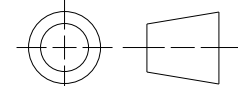


- NOTES:
 1. DIMENSIONS SHOWN ARE FOR REFERENCE ONLY. NOT INTENDED FOR MANUFACTURING PURPOSES.
 2. DIMENSIONS IN BRACKETS ARE IN MILLIMETERS.

MUST COMPLY WITH ROCKWELL AUTOMATION ENVIRONMENTAL SPECIFICATION 970-20-01

ALL UNDIMENSIONED GEOMETRIES ARE CONTROLLED BY THE CAD MODEL. IN CASE OF DIMENSION DISCREPANCY, CAD MODEL OVERRIDES.

THIRD ANGLE PROJECTION



CUSTOMER OUTLINE DRAWING
 HANDLE FOR USE WITH 1494U, 140G SWITCHES, WITHOUT STUDS
 1494F-P1, 1494F-M1, 1494F-S1

CREATED BY: LEQUENTIN

CHANGED BY: *****

10007848185

CAD MODEL

CONFIDENTIAL AND PROPRIETARY INFORMATION. THIS DOCUMENT CONTAINS CONFIDENTIAL AND PROPRIETARY INFORMATION OF ROCKWELL AUTOMATION, INC. AND MAY NOT BE USED, COPIED OR DISCLOSED TO OTHERS EXCEPT WITH THE AUTHORIZED WRITTEN PERMISSION OF ROCKWELL AUTOMATION, INC.

DATE: LEQUENTIN

SHEET 1 OF 1

SIZE DIR

C 10008084135

VER

00