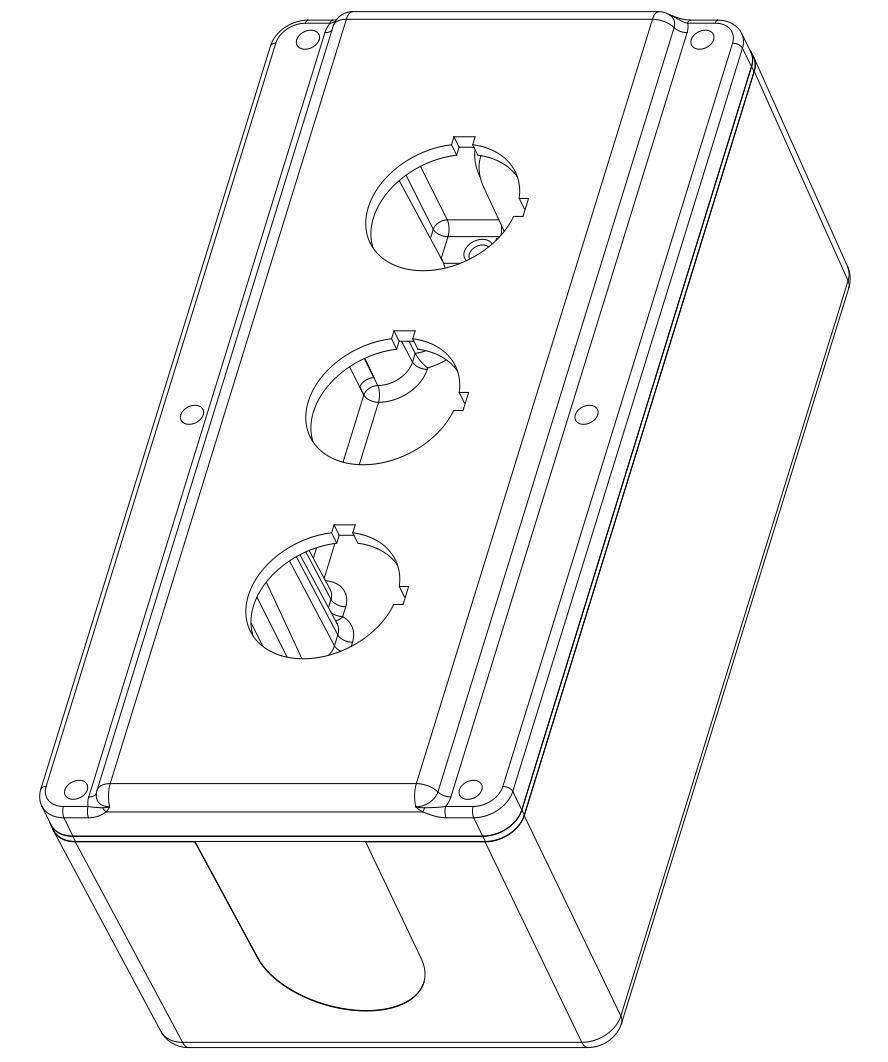
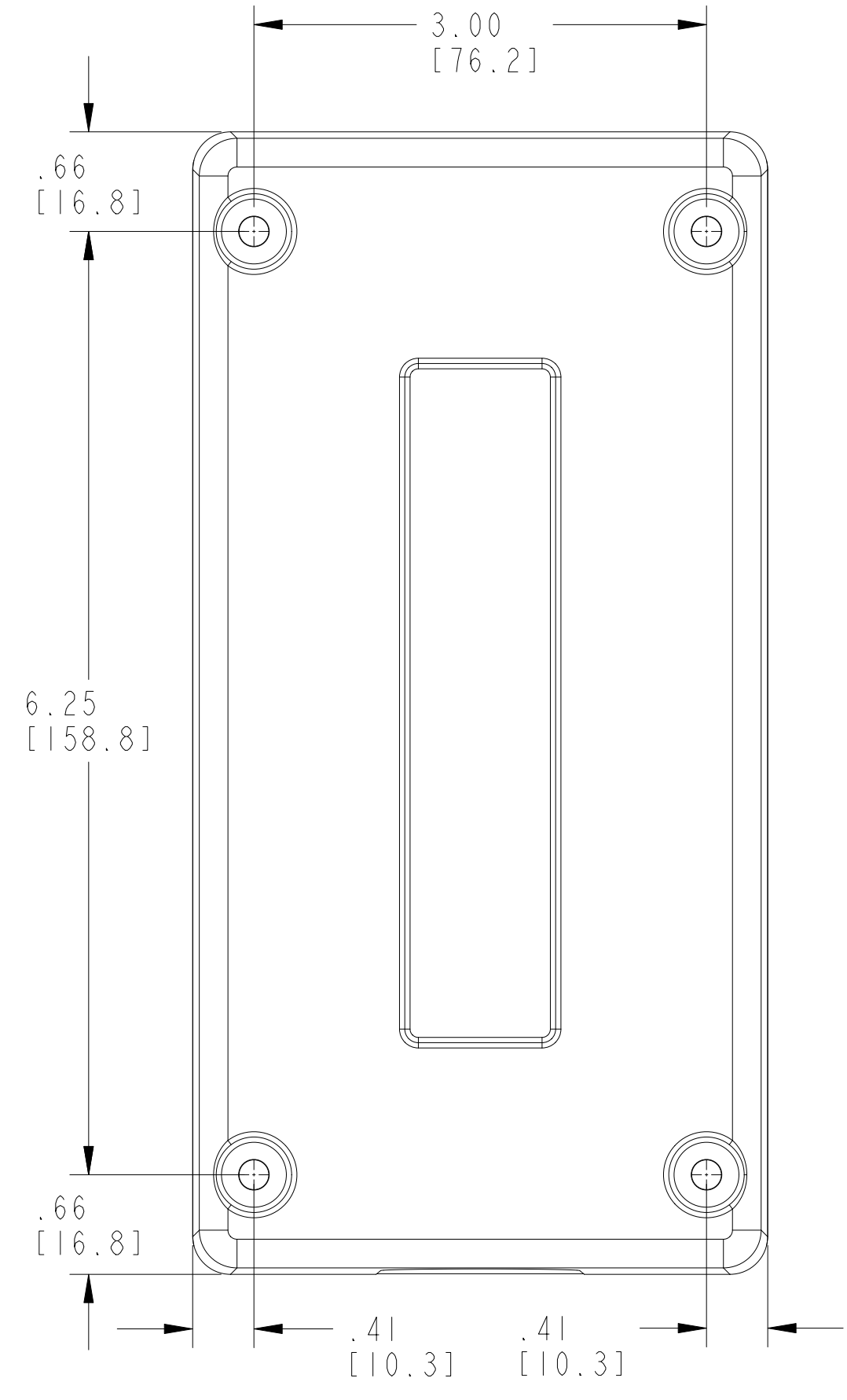
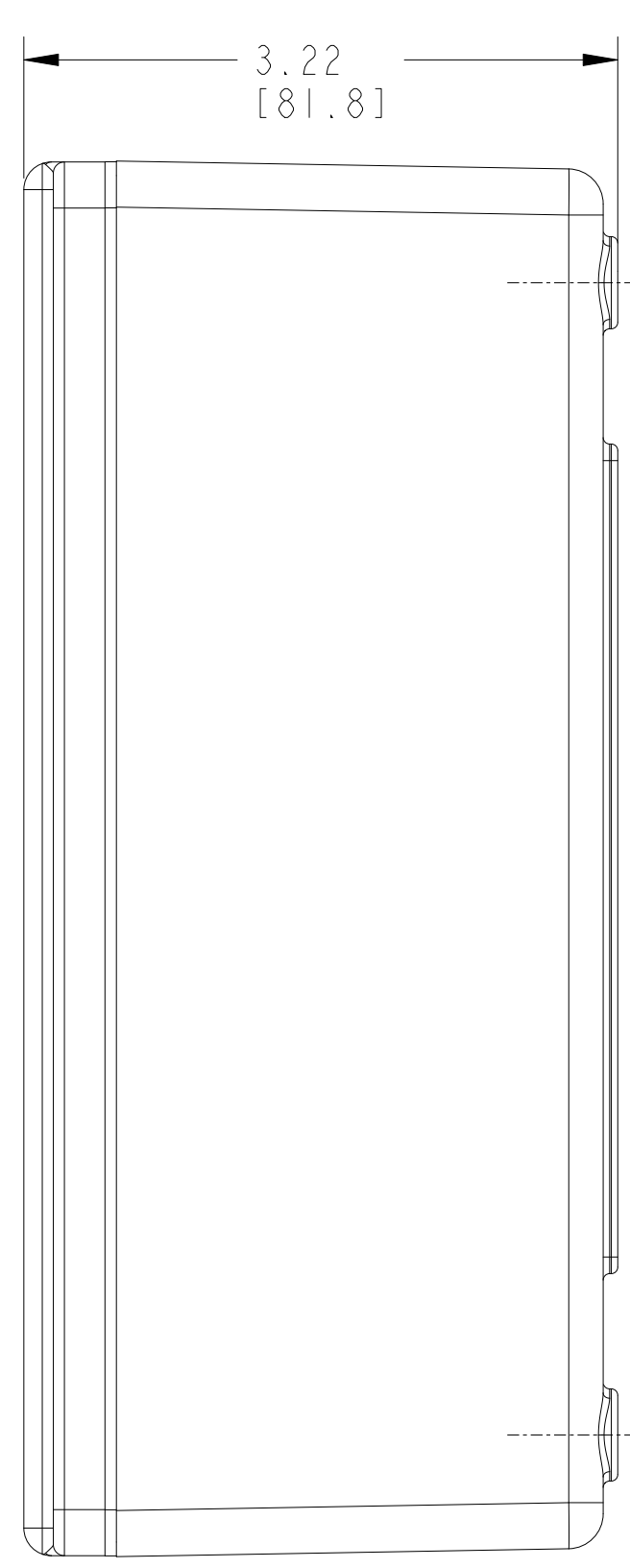
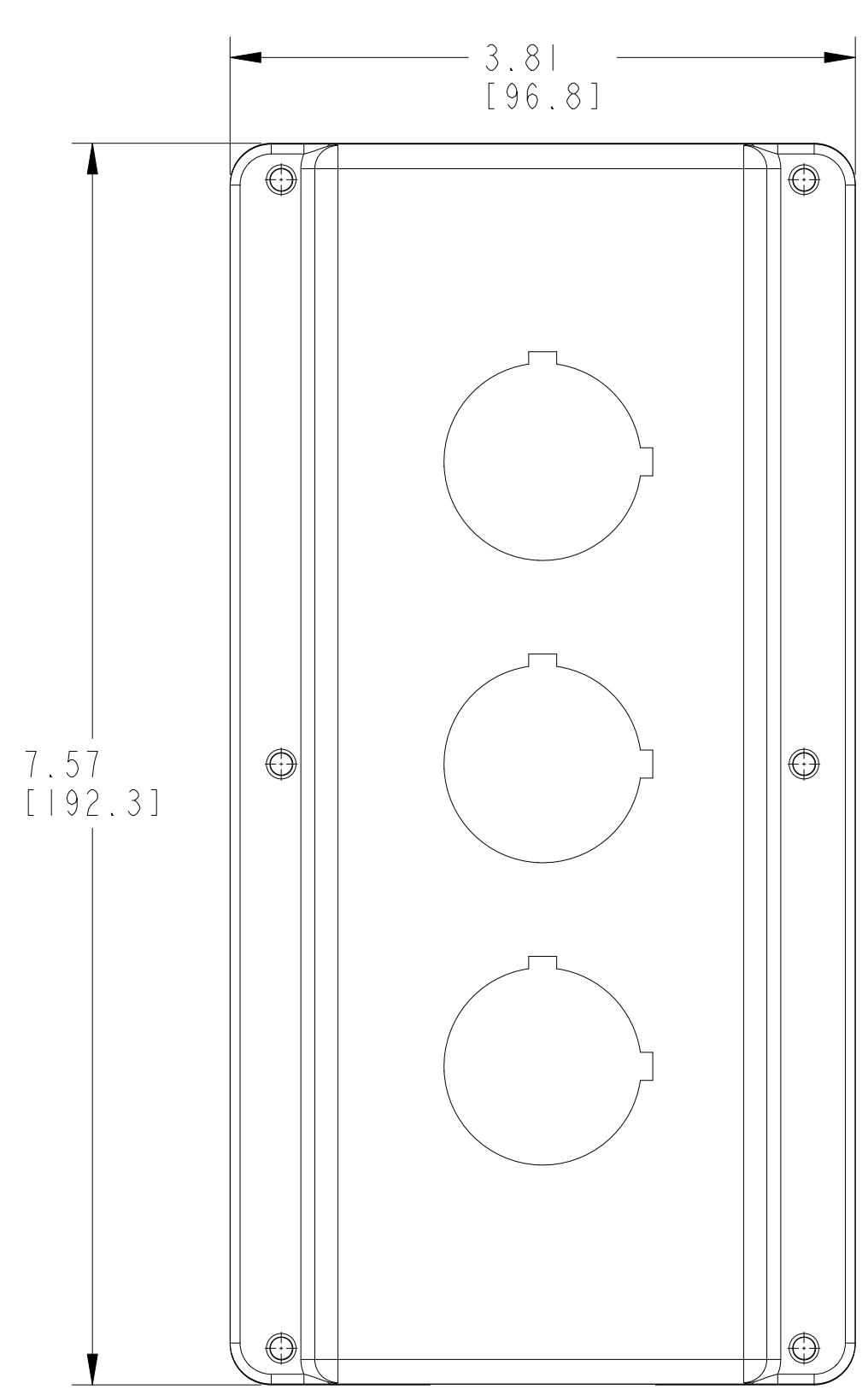


CRITICAL TO QUALITY CLASSIFICATION TABLE					
P=PERFORMANCE, F=FIT, A=ASSEMBLY					
X=IDENTIFIES APPLICABLE CLASSIFICATION(S)					
◇=ENGINEERING AND/OR MANUFACTURING REQUIREMENT					
Ⓜ=REGULATORY REQUIREMENT-CONFORMANCE IS MANDATORY					
COMMENTS	DRAWING ZONE	P	F	A	R
ROHS	G-1				X



ISOMETRIC VIEW

MUST COMPLY WITH ROCKWELL  
 AUTOMATION ENVIRONMENTAL  
 SPECIFICATION 970-20-01

NOTE:  
 1. APPROXIMATE DIMENSIONS ARE SHOWN IN INCHES [MILLIMETERS].  
 DIMENSIONS ARE NOT INTENDED TO BE USED FOR MANUFACTURING PURPOSES.

ALL UNDIMENSIONED GEOMETRIES ARE CONTROLLED BY THE CAD MODEL. IN CASE OF DIMENSION DISCREPANCY, CAD MODEL OVERRIDES.			CONFIDENTIAL AND PROPRIETARY INFORMATION. THIS DOCUMENT CONTAINS CONFIDENTIAL AND PROPRIETARY INFORMATION OF ROCKWELL AUTOMATION, INC. AND MAY NOT BE USED, COPIED OR DISCLOSED TO OTHERS, EXCEPT WITH THE AUTHORIZED WRITTEN PERMISSION OF ROCKWELL AUTOMATION, INC.	
	THIRD ANGLE PROJECTION 		DATE: 2024-09-05	SHEET 1 OF 1
DESCRIPTION <b>800R-3TZ -PUSHBUTTON ENCLOSURE</b> CUSTOMER DRAWING		SIZE DIR <b>C</b>	VER <b>10008122996</b>	VER <b>00</b>
CREATED BY: AKHAN24		CHANGED BY: -		