

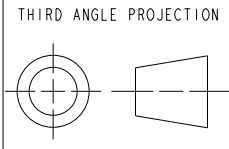
NOTES:  
 1. DIMENSIONS SHOWN ARE FOR REFERENCE ONLY.  
 NOT INTENDED FOR MANUFACTURING PURPOSES.  
 2. DIMENSIONS IN BRACKETS ARE IN MILLIMETERS.

MUST COMPLY WITH ROCKWELL  
 AUTOMATION ENVIRONMENTAL  
 SPECIFICATION 970-20-01

ALL UNDIMENSIONED  
 GEOMETRIES ARE  
 CONTROLLED BY THE  
 CAD MODEL. IN CASE  
 OF DIMENSION  
 DISCREPANCY, CAD  
 MODEL OVERRIDES.



**CUSTOMER OUTLINE/DIMENSION DRAWING**  
**30-100 AMP, CABLE OPERATED DISCONNECT**  
**SWITCH, 1494U**



DESCRIPTION

CREATED BY: LEQUENTIN

CHANGED BY: \*\*\*\*\*

10008567734

CAD MODEL

CONFIDENTIAL AND PROPRIETARY INFORMATION.  
 THIS DOCUMENT CONTAINS CONFIDENTIAL AND PROPRIETARY  
 INFORMATION OF ROCKWELL AUTOMATION, INC. AND MAY  
 NOT BE USED, COPIED OR DISCLOSED TO OTHERS, EXCEPT  
 WITH THE AUTHORIZED WRITTEN PERMISSION OF ROCKWELL  
 AUTOMATION, INC.

DATE: 2025-06-11

SHEET 1 OF 3

SIZE

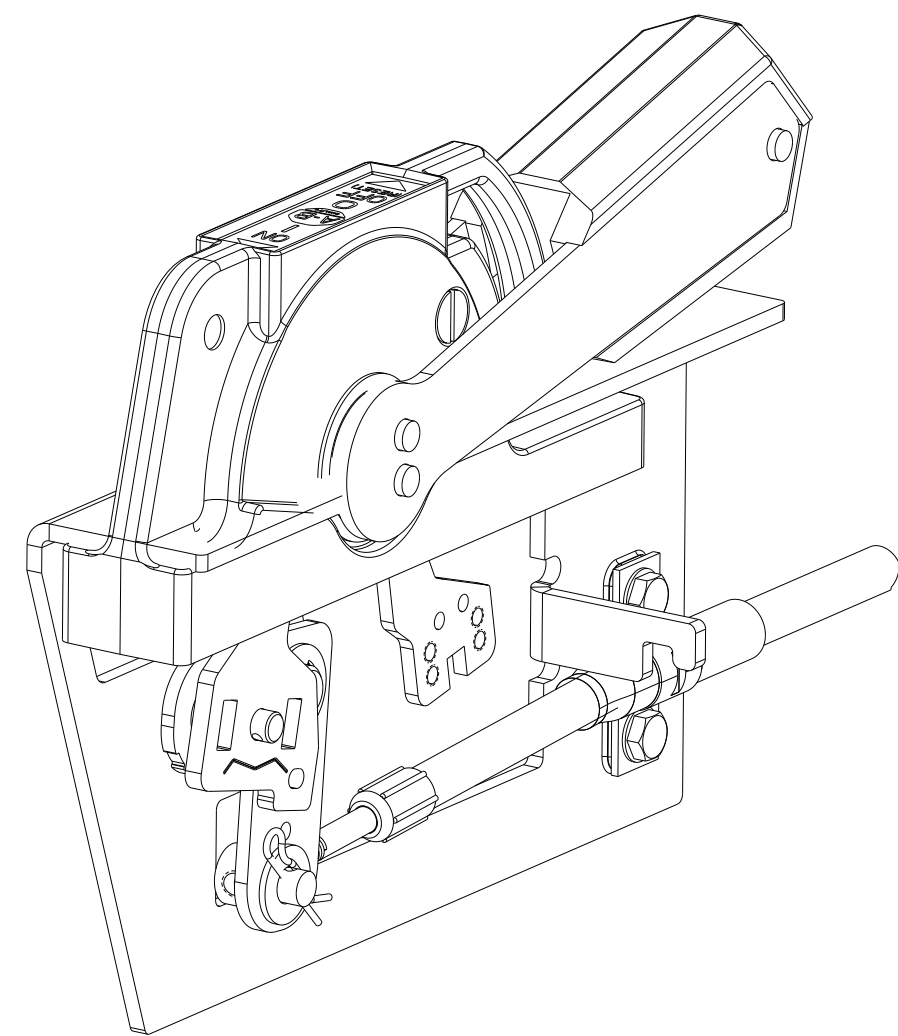
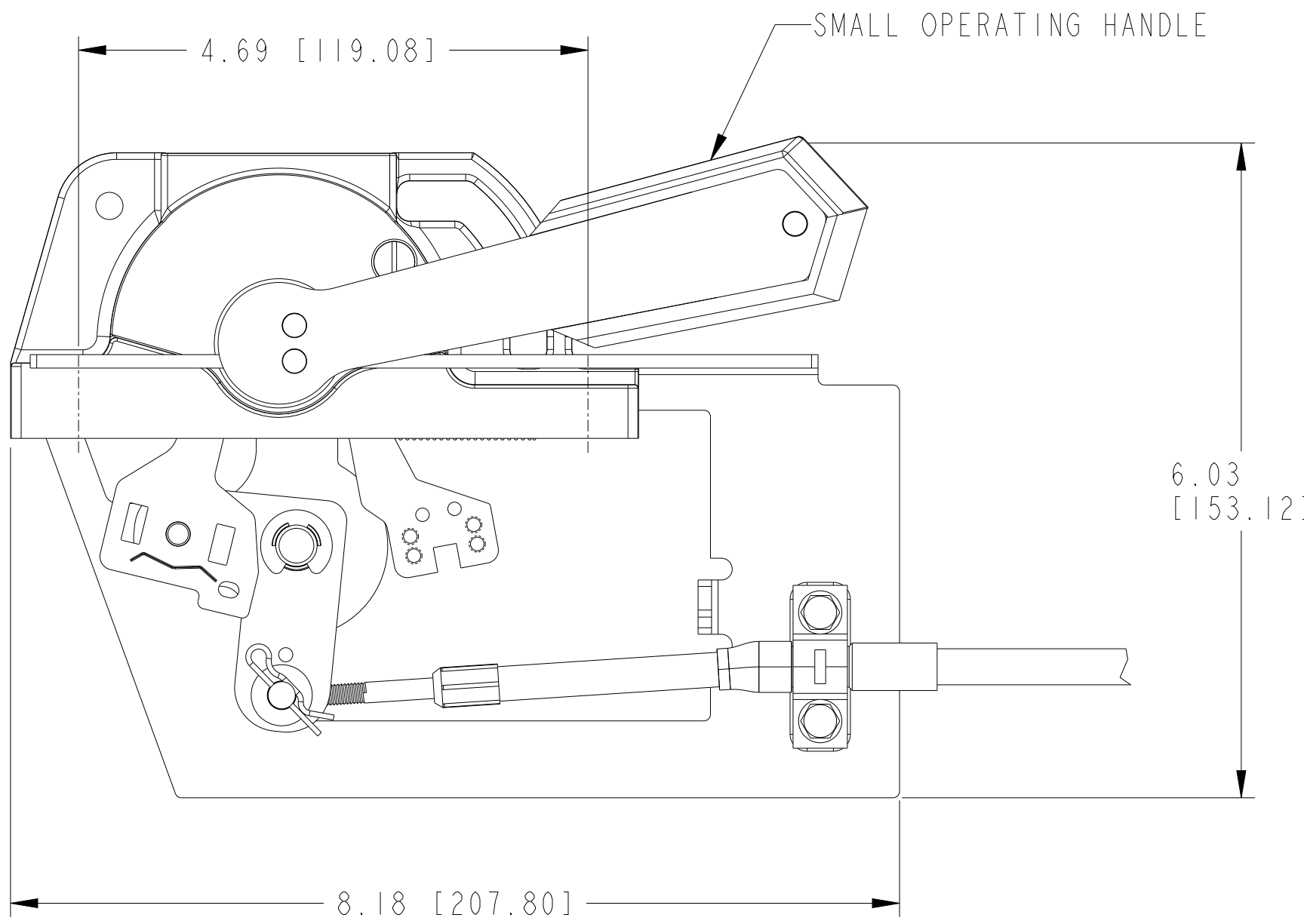
DIR

VER

**B**

**10008567735**

**00**



10001238644 CAD MODEL



CONFIDENTIAL AND PROPRIETARY INFORMATION.  
THIS DOCUMENT CONTAINS CONFIDENTIAL AND PROPRIETARY  
INFORMATION OF ROCKWELL AUTOMATION, INC. AND MAY  
NOT BE USED, COPIED OR DISCLOSED TO OTHERS, EXCEPT  
WITH THE AUTHORIZED WRITTEN PERMISSION OF ROCKWELL  
AUTOMATION, INC.

DESCRIPTION  
**CUSTOMER OUTLINE/DIMENSION DRAWING  
30-100 AMP, CABLE OPERATED DISCONNECT  
SWITCH, 1494U**

DATE: 2025-06-11 SHEET 2 OF 3

CREATED BY: LEQUENTIN

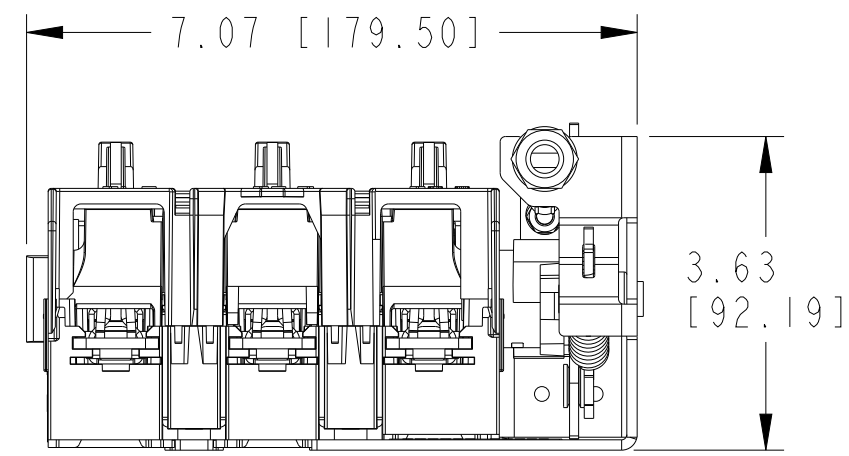
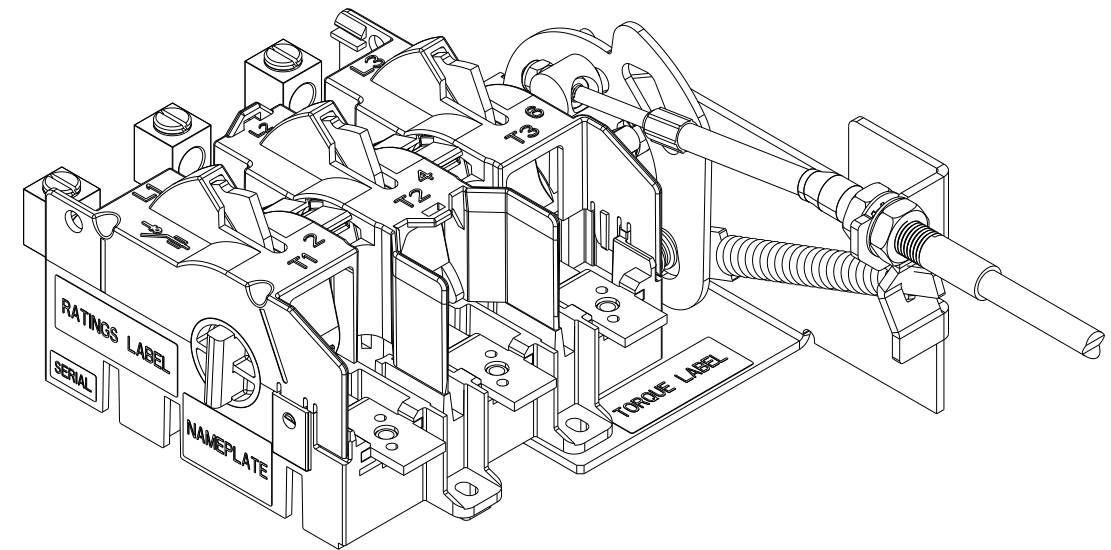
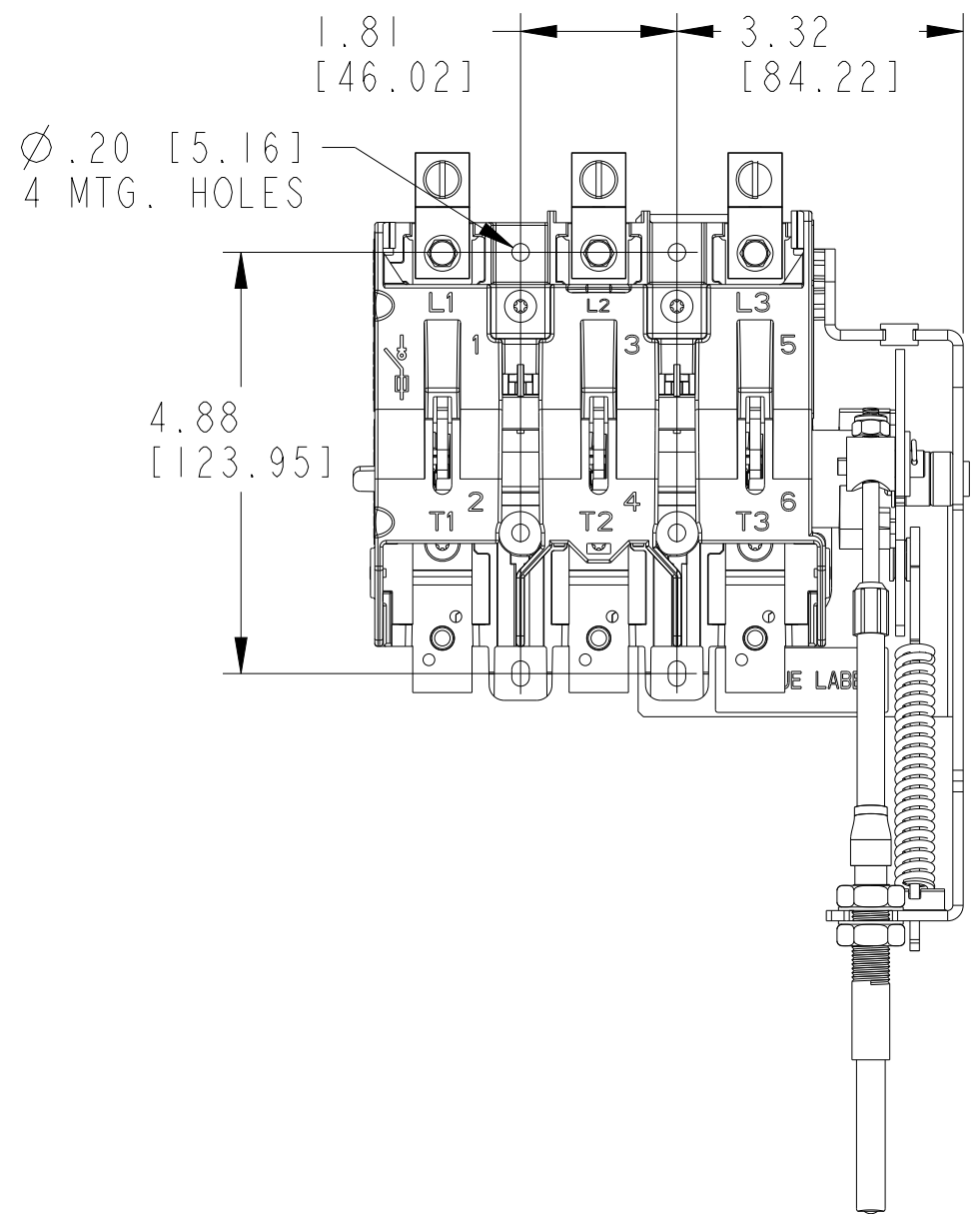
CHANGED BY: \*\*\*\*\*

SIZE	DIR	VER
<b>B</b>	<b>10008567735</b>	<b>00</b>

1 2 3 4 5 6 7 8

A  
B  
C  
D  
E  
F  
G  
H

A  
B  
C  
D  
E  
F  
G  
H



10008567695 CAD MODEL



CONFIDENTIAL AND PROPRIETARY INFORMATION. THIS DOCUMENT CONTAINS CONFIDENTIAL AND PROPRIETARY INFORMATION OF ROCKWELL AUTOMATION, INC. AND MAY NOT BE USED, COPIED OR DISCLOSED TO OTHERS, EXCEPT WITH THE AUTHORIZED WRITTEN PERMISSION OF ROCKWELL AUTOMATION, INC.

DESCRIPTION  
**CUSTOMER OUTLINE/DIMENSION DRAWING**  
**30-100 AMP, CABLE OPERATED DISCONNECT SWITCH, 1494U**

DATE: 2025-06-11 SHEET 3 OF 3  
 SIZE DIR VER  
**B 10008567735 00**

CREATED BY: LEQUENTIN CHANGED BY: \*\*\*\*\*

1 2 3 4 5 6 7 8