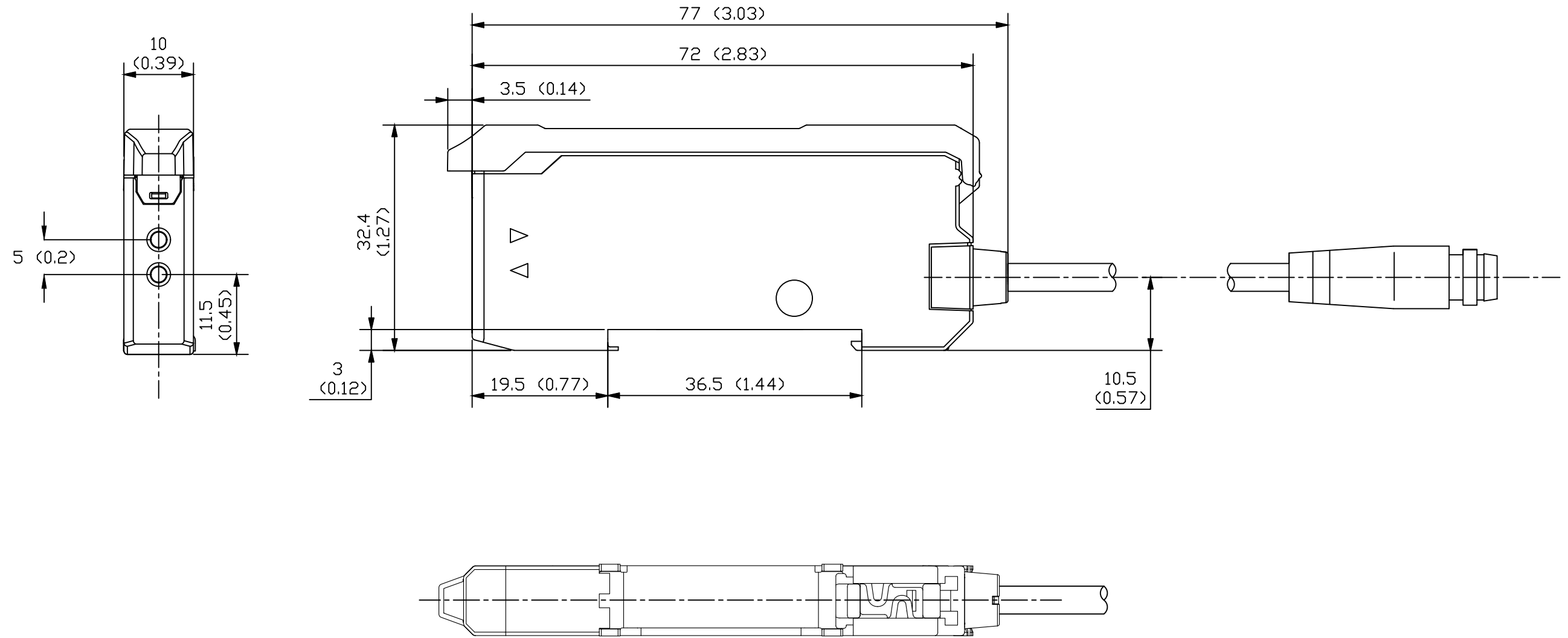


CRITICAL TO QUALITY CLASSIFICATION TABLE
P=PERFORMANCE, F=FIT, A=ASSEMBLY
X=IDENTIFIES APPLICABLE CLASSIFICATION(S)
◇=ENGINEERING AND/OR MANUFACTURING REQUIREMENT
Ⓡ=REGULATORY REQUIREMENT - CONFORMANCE IS MANDATORY

COMMENTS	DRAWING (ZONE)	◇ P	◇ F	◇ A	Ⓡ R
ROHS	H1				X



MUST COMPLY WITH ROCKWELL AUTOMATION ENVIRONMENTAL SPECIFICATION 970-20-01

NOTE:
1.DIMENSIONS ARE SHOWN IN MM (INCHES) .DIMENSIONS ARE NOT INTENDED TO BE USED FOR MANUFACTURING PURPOSES.

		CONFIDENTIAL AND PROPRIETARY INFORMATION. THIS DOCUMENT CONTAINS CONFIDENTIAL AND PROPRIETARY INFORMATION OF ROCKWELL AUTOMATION, INC. AND MAY NOT BE USED, COPIED OR DISCLOSED TO OTHERS, EXCEPT WITH THE AUTHORIZED WRITTEN PERMISSION OF ROCKWELL AUTOMATION, INC.			
		DATE	2026-02-13	SHEET	1 OF 1
DESCRIPTION		SIZE	DIR	VER	
46DFA DIN RAIL FIBER OPTIC AMPLIFIER		B	10008916018	00	
CREATED BY	SN5	CHANGED BY			