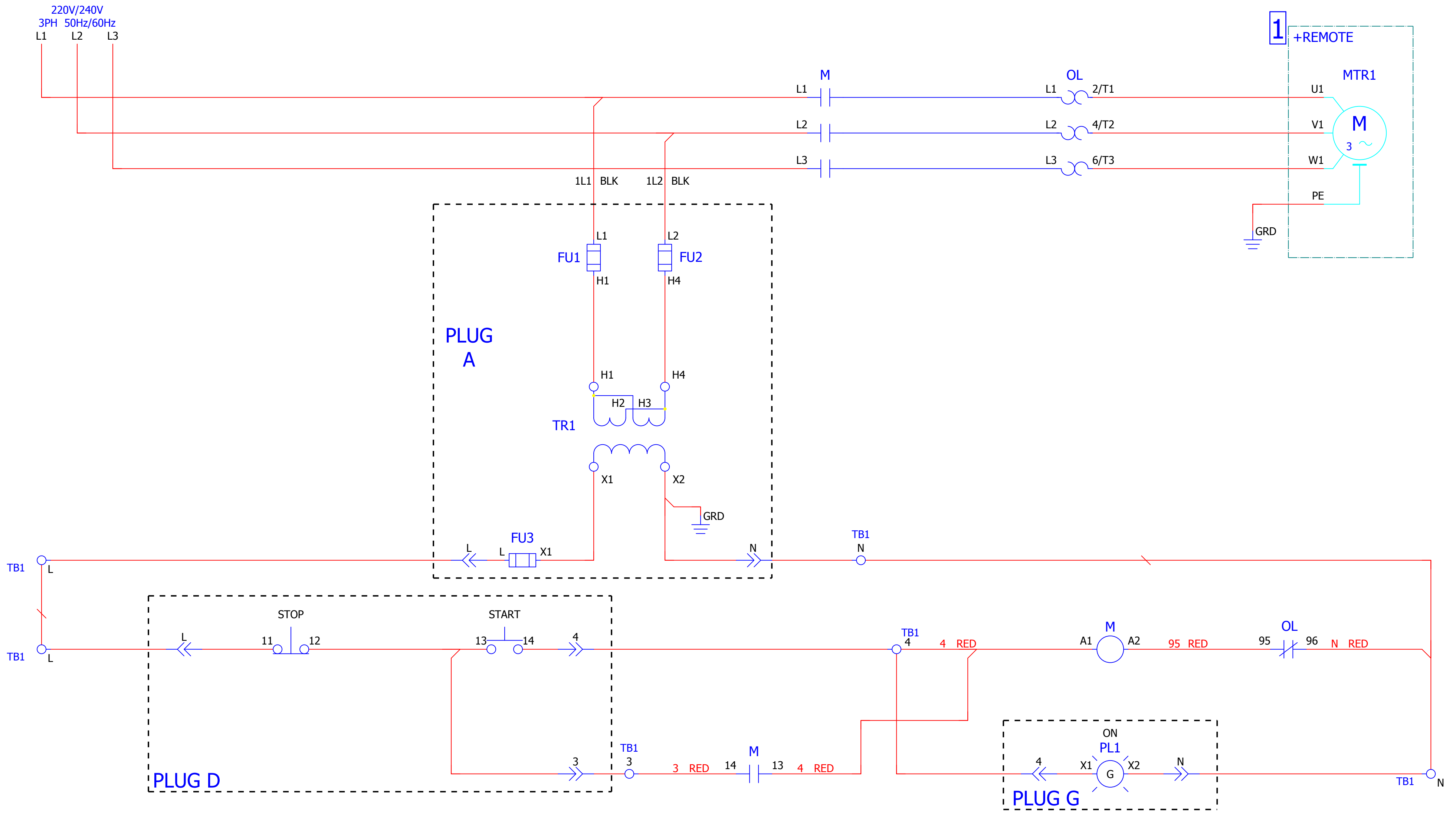



# 109-C16AA-A2E-1-4G-6P



**NOTES:**

- 1** REMOTE DEVICE
- 2** OPTIONAL DEVICE
- 3** THIS DEVICE MAY BE SUPPLIED LESS AN OVERLOAD RELAY. IT IS THE CUSTOMER'S RESPONSIBILITY TO SUPPLY AN OVERLOAD RELAY AND MAKE THE APPROPRIATE CONNECTIONS.  
WARNING: A MOTOR CONNECTED WITH 2-WIRE CONTROL MAY START AUTOMATICALLY WHEN USED WITH AN AUTOMATIC RESET OVERLOAD RELAY
- 4** ADDITIONAL CONTROL CIRCUIT OVERCURRENT PROTECTION MAY BE REQUIRED. REFER TO "NEC" AND/OR CANADIAN ELECTRICAL CODE.
- 5** ORIENTATION OF OVERLOAD RELAY CONTACTS MAY CHANGE DEPENDING ON EUTECTIC, BI-METALIC, OR E1 PLUS OVERLOAD RELAY.
- 6** CUSTOMER INSTALLED

| Wire Connector Torque     |                           |
|---------------------------|---------------------------|
| Line Terminal<br>(Lb.In.) | Load Terminal<br>(Lb.In.) |
| 13...22                   | 22..30                    |

|   |                                   |  |
|---|-----------------------------------|--|
|  | <p><b>Rockwell Automation</b></p> | CONFIDENTIAL AND PROPRIETARY INFORMATION: THIS DOCUMENT CONTAINS CONFIDENTIAL AND PROPRIETARY INFORMATION OF ROCKWELL AUTOMATION, INC., AND MAY NOT BE USED, COPIED OR DISCLOSED TO OTHERS, EXCEPT WITH THE AUTHORIZED WRITTEN PERMISSION OF ROCKWELL AUTOMATION, INC. |
| Title:<br><b>IEC NON COMBO</b>  |                                   | S.O.   |
| CATALOG NO.<br><b>109-C16AA-A2E-1-4G-6P</b>   |                                   |  |
| Drawn by: AUTO_GEN  | Date: 08/18/17                    | Sheet: 1 of 2  |
| Ver: 00   | Size: D                           |  |