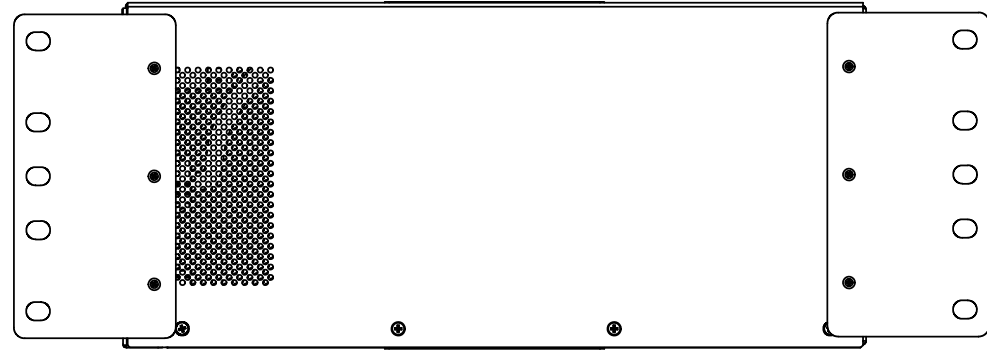


UNLESS OTHERWISE SPECIFIED		
ALL DIMENSIONS IN MM	SURFACE FINISH	TOLERANCES
BREAK ALL SHARP EDGES	1.6	X.XX ± 0.13
CLEAN AND DEBURR		X.X ± 0.25
USE MIN BEND RADII		X ± 0.5
		DEG ± 0.5°
		TORQUE ± 25%

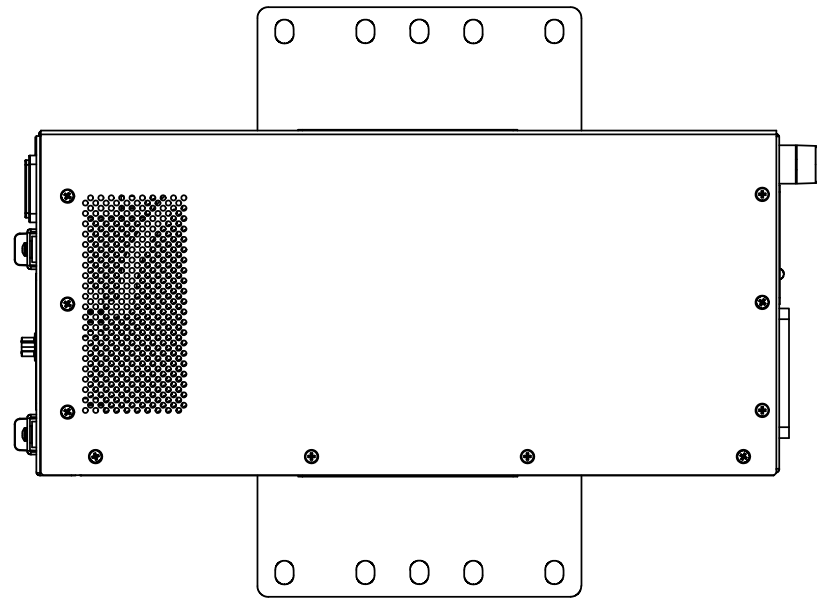
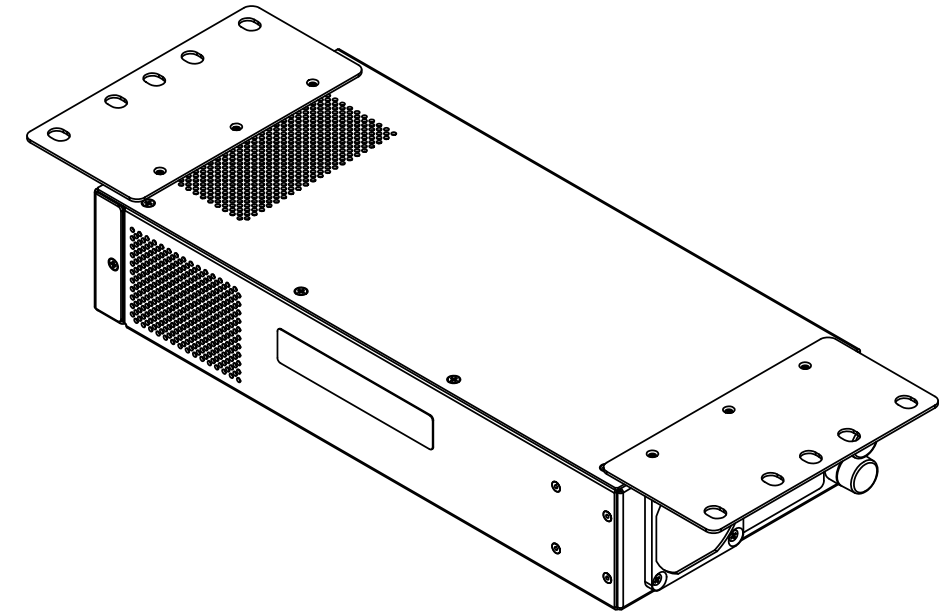
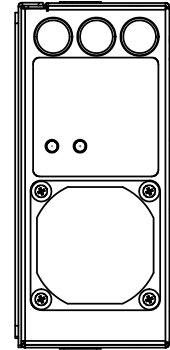
MAGNEMOTION CONFIDENTIAL
 Copyright© 2011 MagneMotion Inc.
 The information contained in this drawing is the sole property of MagneMotion Inc. Any reproduction in part or whole without the written permission of MagneMotion is prohibited.

INTERPRET DRAWING PER ANSI Y14.5M-1982			
DO NOT SCALE DRAWING	SHEET SIZE B	PROJECT SB1	DATE 2011-06-17
CAD PKG. SolidWorks 2010	SCALE 1:5	ENGINEER J O'NEIL	CHECKED M. BOTTASSO
CAD FILE 111-0001-00.SLDDRW			

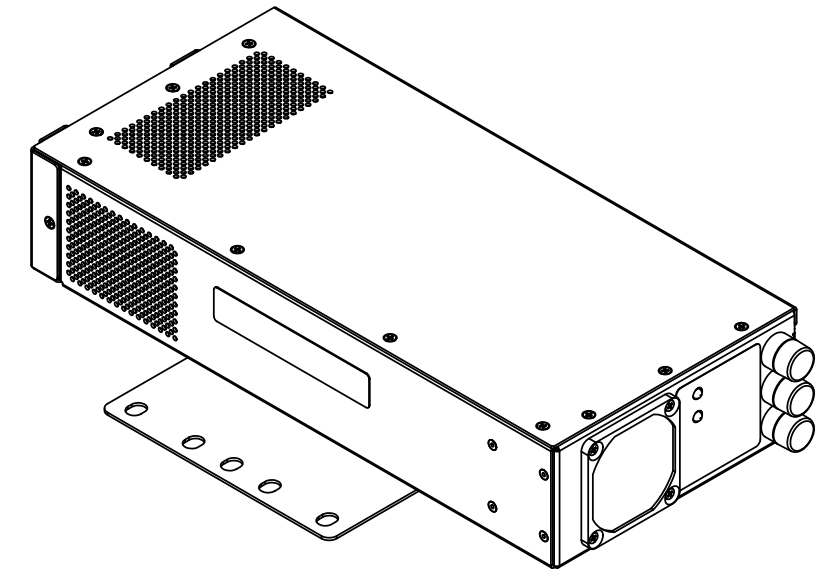
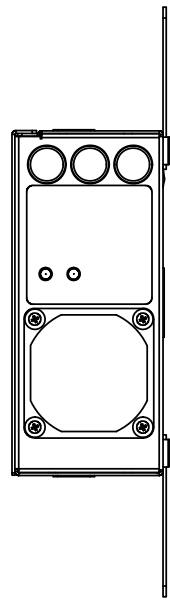
MagneMotion Inc. 139 Barnum Road Devens, MA 01434 USA (978) 757-9100	TITLE ICD, POWER SUPPLY, 600W, 36V, ML	REV 1
	MATERIAL 110-0001-00	
CAGE CODE 1LR11	DWG NO. 111-0001-00	SHEET 1 OF 4



CUSTOMER MOUNTING OPTION 2



CUSTOMER MOUNTING OPTION 1



MagneMotion Inc.

139 Barnum Road
Devens, MA 01434 USA
(978) 757-9100

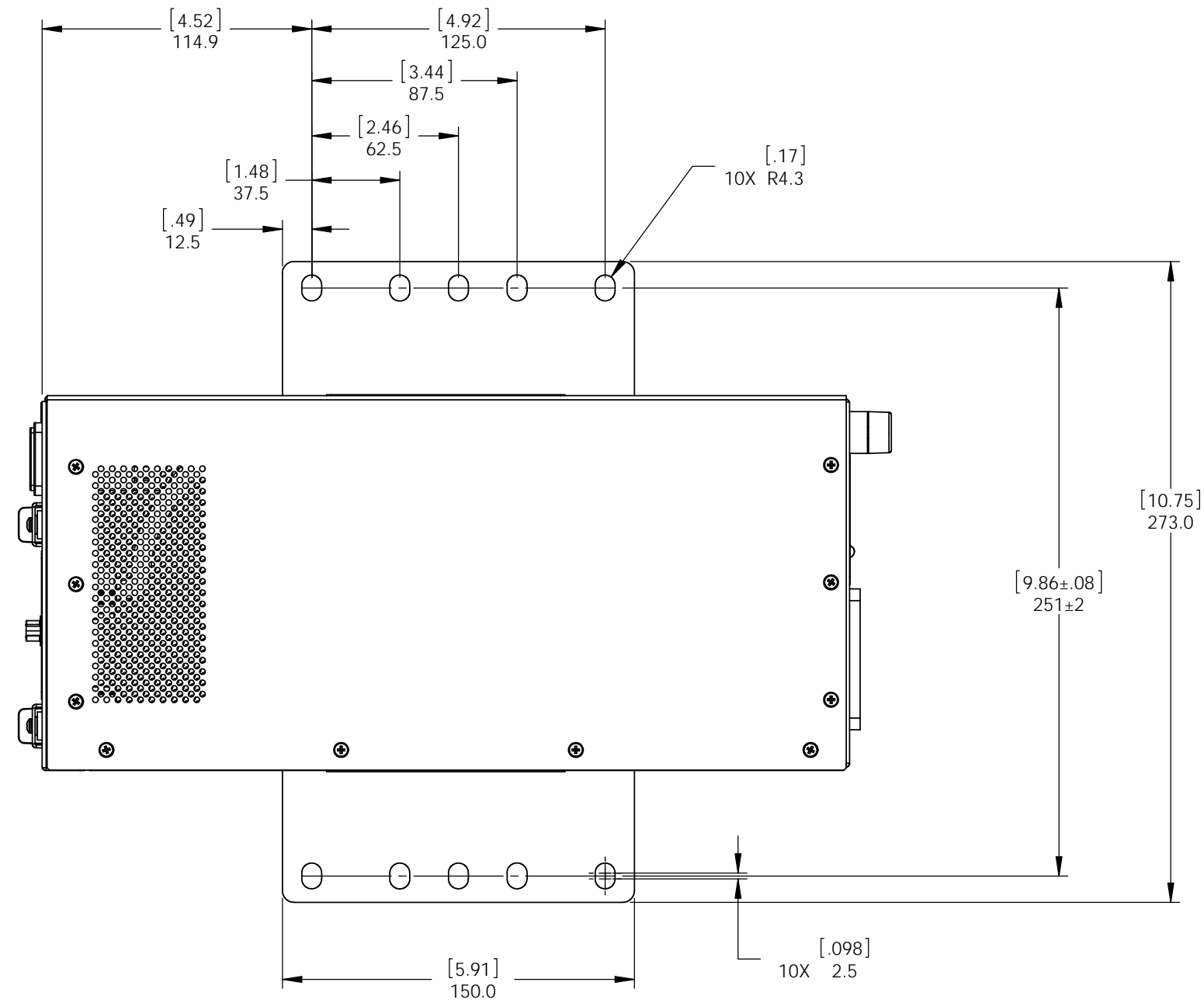
TITLE	ICD, POWER SUPPLY, 600W, 36V, ML
-------	----------------------------------

REV	1
-----	---

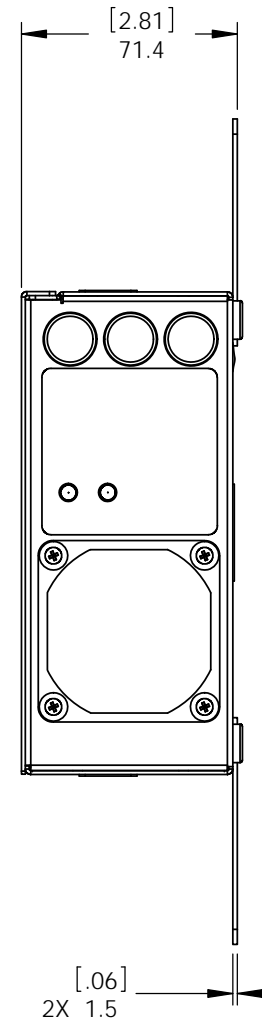
MATERIAL	110-0001-00
----------	-------------

DWG NO.	111-0001-00
---------	-------------

SHEET 2 OF 4



CUSTOMER MOUNTING OPTION 1



MagneMotion Inc.

139 Barnum Road
 Devens, MA 01434 USA
 (978) 757-9100

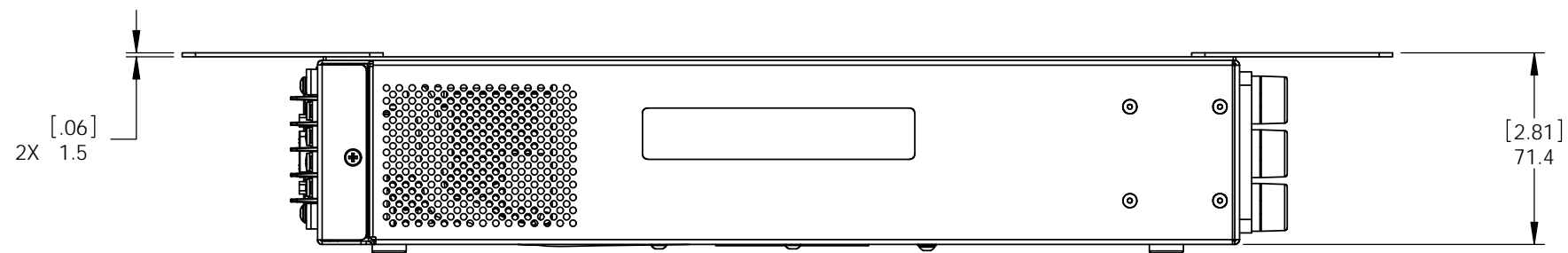
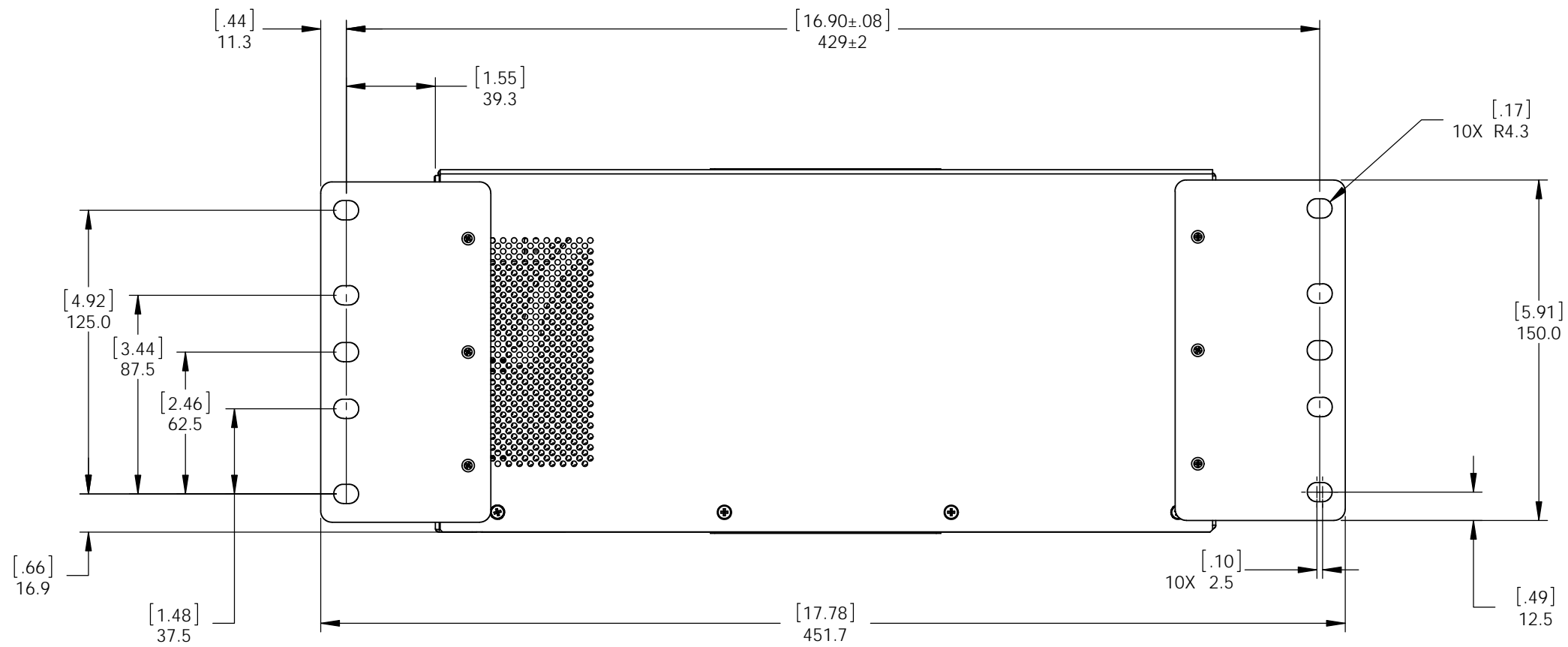
TITLE
 ICD, POWER SUPPLY, 600W, 36V, ML

MATERIAL 110-0001-00

DWG NO. 111-0001-00

REV
 1

SHEET 3 OF 4



CUSTOMER MOUNTING OPTION 2

MagneMotion Inc.
 139 Barnum Road
 Devens, MA 01434 USA
 (978) 757-9100

TITLE	ICD, POWER SUPPLY, 600W, 36V, ML	REV	1
MATERIAL	110-0001-00		
DWG NO.	111-0001-00		
		SHEET 4 OF 4	