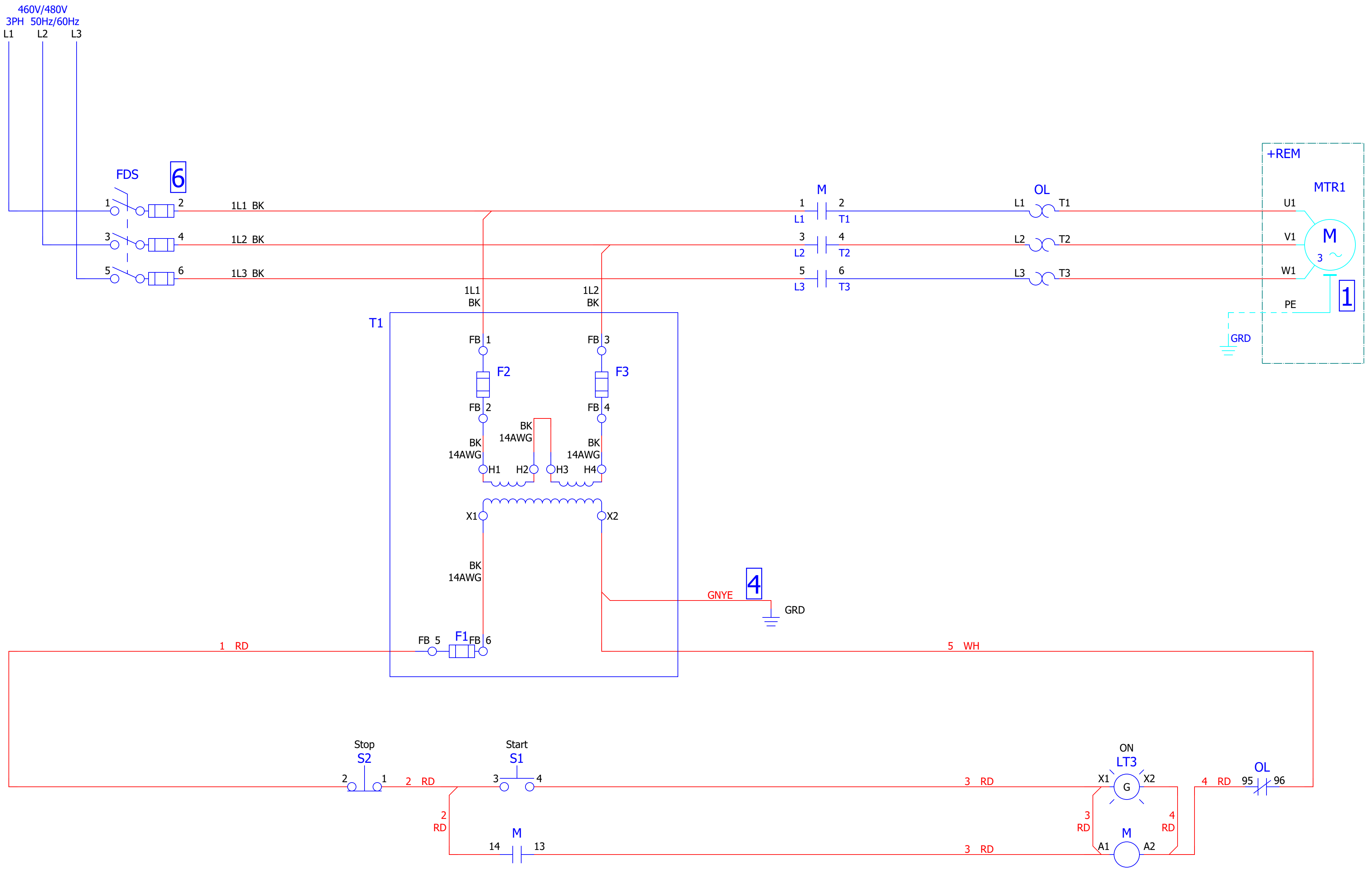


112-C09FBD1C-1-4G-6P-7-98-901

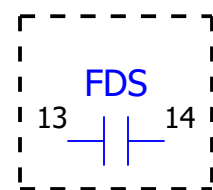


NOTES:

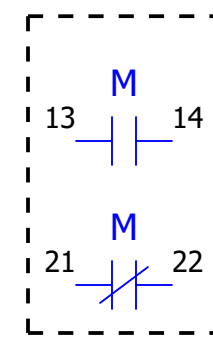
- ① REMOTE DEVICE
USE 75°C CU WIRE ONLY
- ② IF REQUIRED. GROUND TRANSFORMER AT "X2"
- ③ LINE FUSES SUPPLIED BY CUSTOMER. REFER TO
NEC WHEN SELECTING SHORT CIRCUIT
PROTECTION.
- ④ LINE VOLTAGE: 460V/480V
COIL VOLTAGE: 110V/120V

Wire Connector Torque	
Line Terminal (Lb.In.)	Load Terminal (Lb.In.)
14	22

Disconnect Aux Contacts



Contactor Aux Contacts



CONFIDENTIAL AND PROPRIETARY INFORMATION:
THIS DOCUMENT CONTAINS CONFIDENTIAL AND
PROPRIETARY INFORMATION OF ROCKWELL AUTOMATION,
INC., AND MAY NOT BE USED, COPIED OR DISCLOSED TO
OTHERS, EXCEPT WITH THE AUTHORIZED WRITTEN
PERMISSION OF ROCKWELL AUTOMATION, INC.


Title:
IEC COMBO

S.O.

CATALOG NO.
112-C09FBD1C-1-4G-6P-7-98-901

PART LIST

Sr. No.	ERP number	Part number	Device Tag	Order number	Quantity	Description
1	R5814-340	R5814-340			9	14 AWG BLACK TOPCOAT WIRE, 19 STRAND
2	R5814-438	R5814-438			9	14 AWG RED TOPCOAT WIRE, 19 STRAND
3		R5814-419			1	WIRE,14 AWG GRN/YEL,PVC,TIN,41 STC,1015
4		22164-301-04	-GRD1		1	RING TERMINAL, 16-14, #10 STUD, UNINSULA

 Rockwell Automation	CONFIDENTIAL AND PROPRIETARY INFORMATION: THIS DOCUMENT CONTAINS CONFIDENTIAL AND PROPRIETARY INFORMATION OF ROCKWELL AUTOMATION, INC., AND MAY NOT BE USED, COPIED OR DISCLOSED TO OTHERS, EXCEPT WITH THE AUTHORIZED WRITTEN PERMISSION OF ROCKWELL AUTOMATION, INC.			
	Title: IEC COMBO	S.O.		
CATALOG NO. 112-C09FBD1C-1-4G-6P-7-98-901				
Drawn by: AUTO_GEN	Date: 03/14/24	Sheet: 2 of 3	Ver: 00	Size: D

WIRE CONNECTION LIST

SOURCE		TARGET		NUMBER	COLOR	CROSS-SECTION	NUMBER
DEVICE TAG	CONNECTION POINT	DEVICE TAG	CONNECTION POINT				
FDS	2	M	1		BK	14AWG	
FDS	4	M	3		BK	14AWG	
FDS	6	M	5		BK	14AWG	
GRD1	1:1	T1	X2		GNYE	14AWG	
LT3	X2	M	A2		RD	14AWG	
LT3	X1	S1	4		RD	14AWG	
LT3	X1	M	A1		RD	14AWG	
M	1	T1	FB:1		BK	14AWG	
M	3	T1	FB:3		BK	14AWG	
M	A2	OL	95		RD	14AWG	
M	13	M	A1		RD	14AWG	
M	14	S1	3		RD	14AWG	
OL	96	T1	X2		WH	14AWG	
S1	3	S2	1		RD	14AWG	
S2	2	T1	FB:5		RD	14AWG	
T1	H4	T1	FB:4		BK	14AWG	
T1	H2	T1	H3		BK	14AWG	
T1	H1	T1	FB:2		BK	14AWG	
T1	X1	T1	FB:6		BK	14AWG	

	<small>CONFIDENTIAL AND PROPRIETARY INFORMATION: THIS DOCUMENT CONTAINS CONFIDENTIAL AND PROPRIETARY INFORMATION OF ROCKWELL AUTOMATION, INC., AND MAY NOT BE USED, COPIED OR DISCLOSED TO OTHERS, EXCEPT WITH THE AUTHORIZED WRITTEN PERMISSION OF ROCKWELL AUTOMATION, INC.</small>		
	Title: IEC COMBO	S.O.	
CATALOG NO. 112-C09FBD1C-1-4G-6P-7-98-901			
Drawn by: AUTO_GEN	Date: 03/14/24	Sheet: 3 of 3	Ver: 00 Size: D