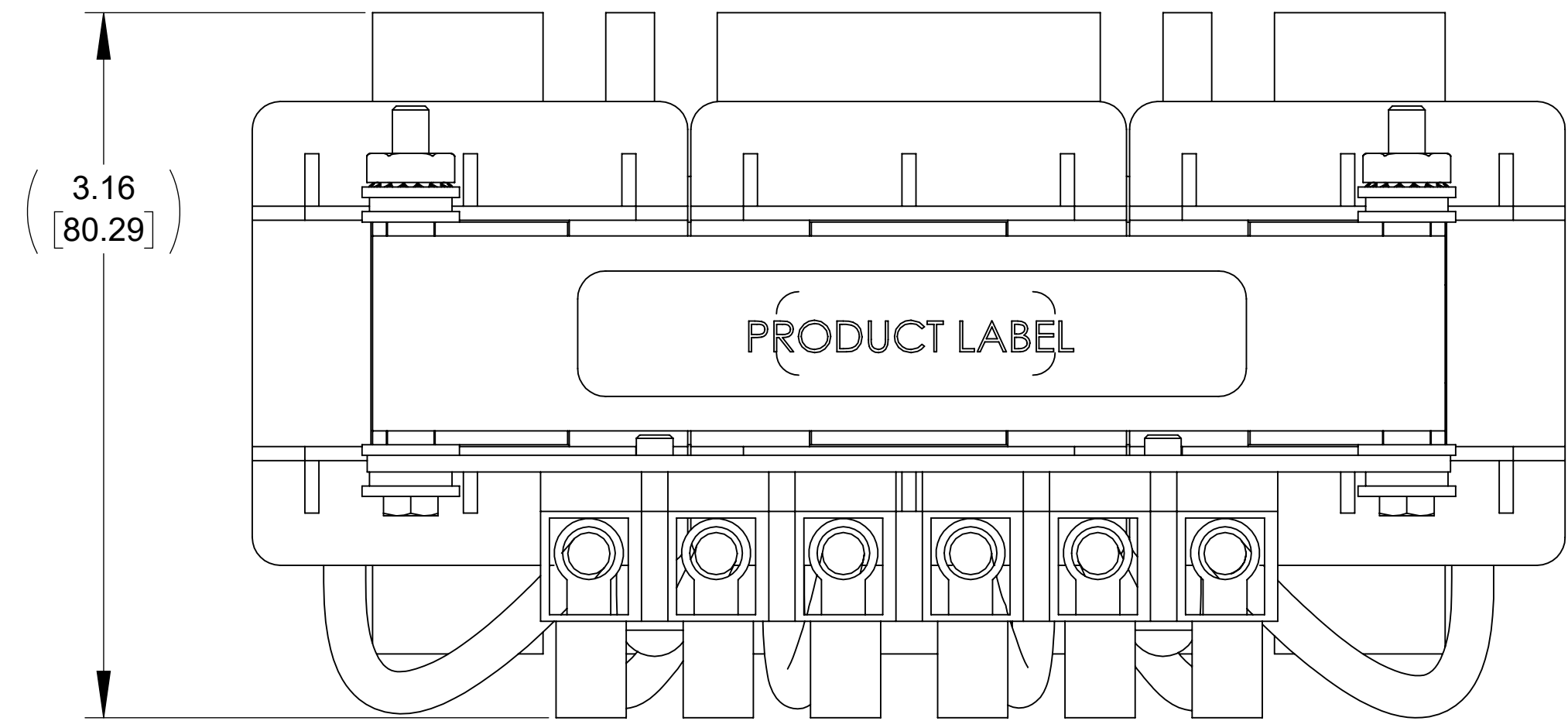
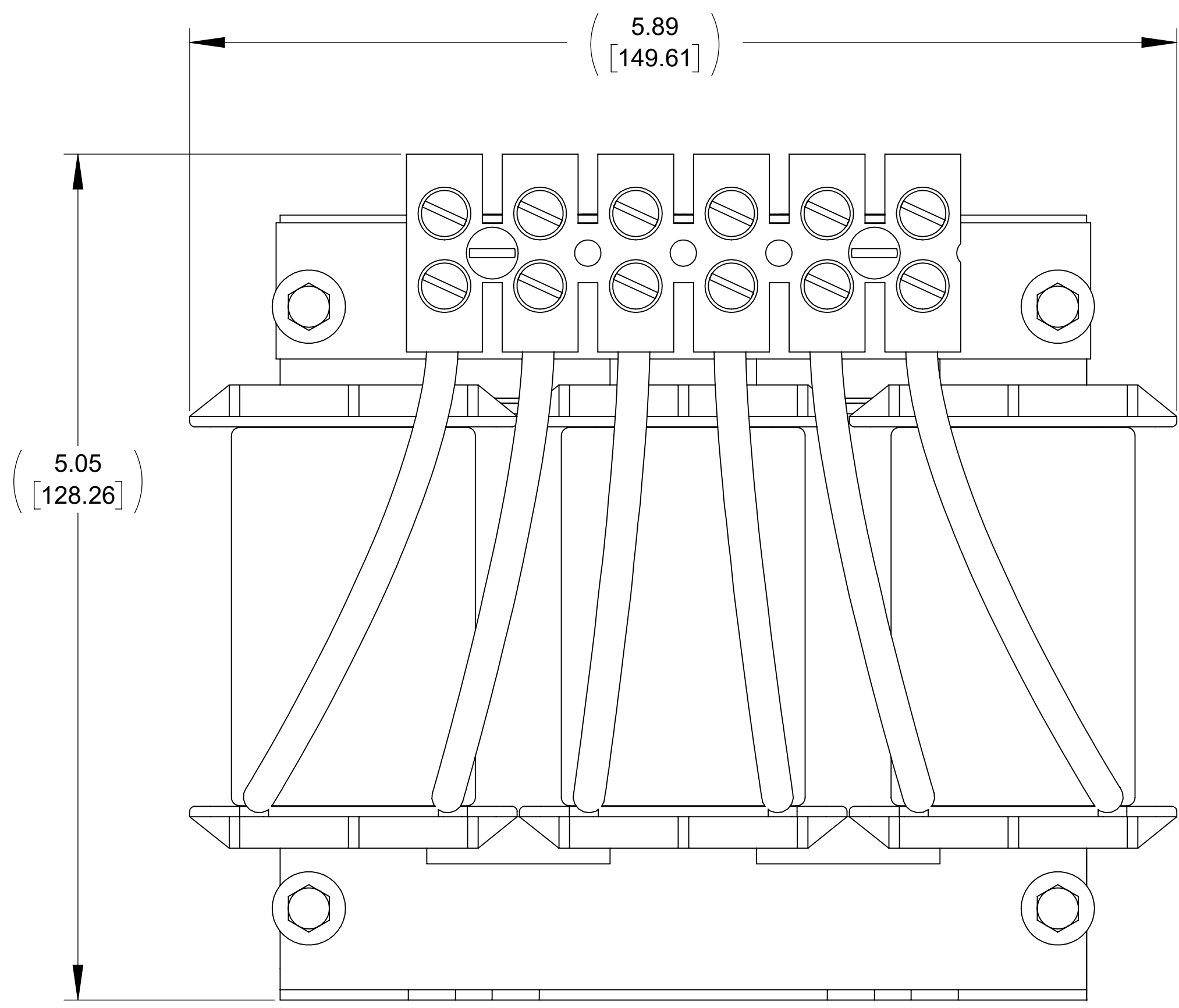


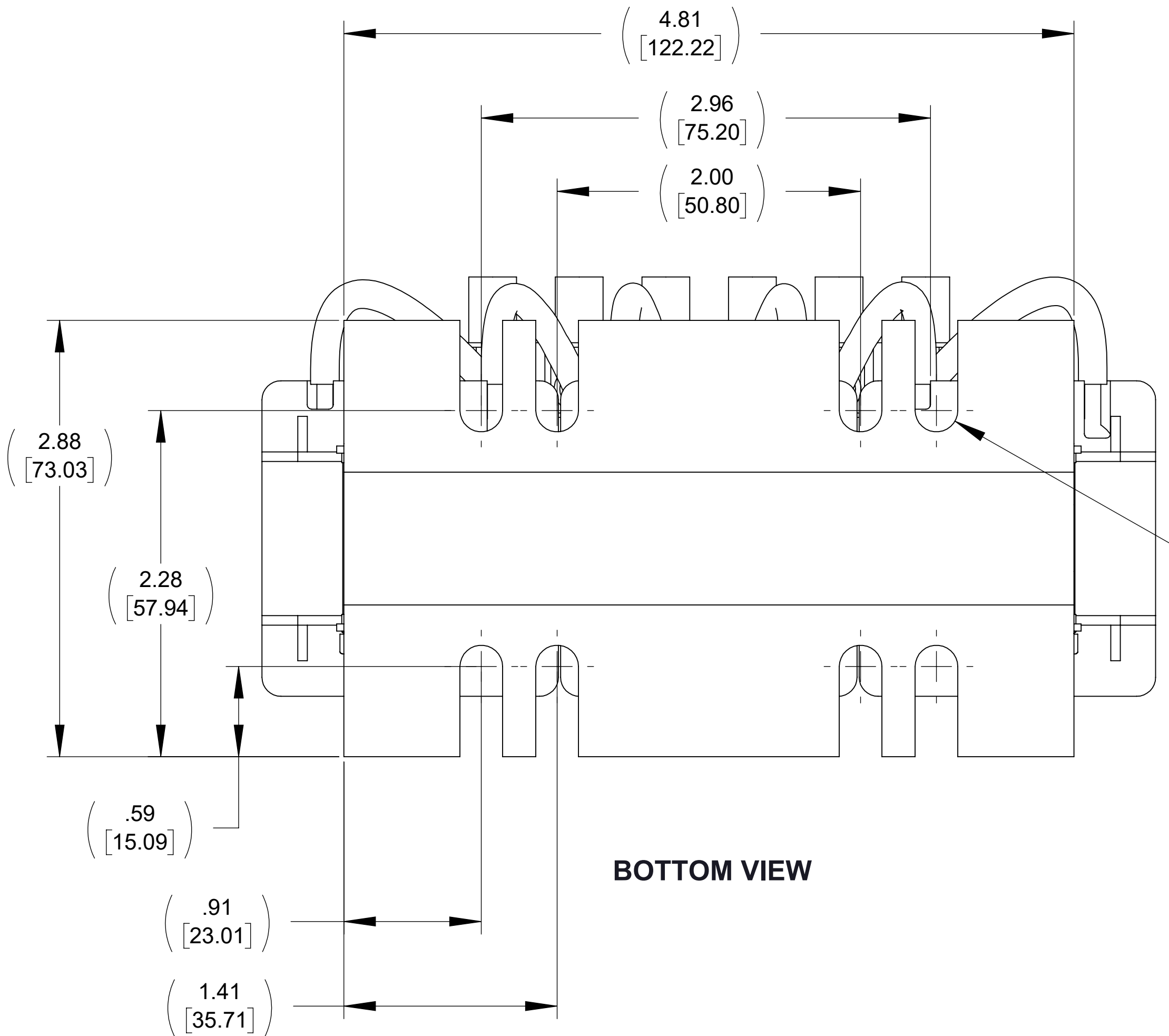
APPROX. WEIGHT (LBS)  
7



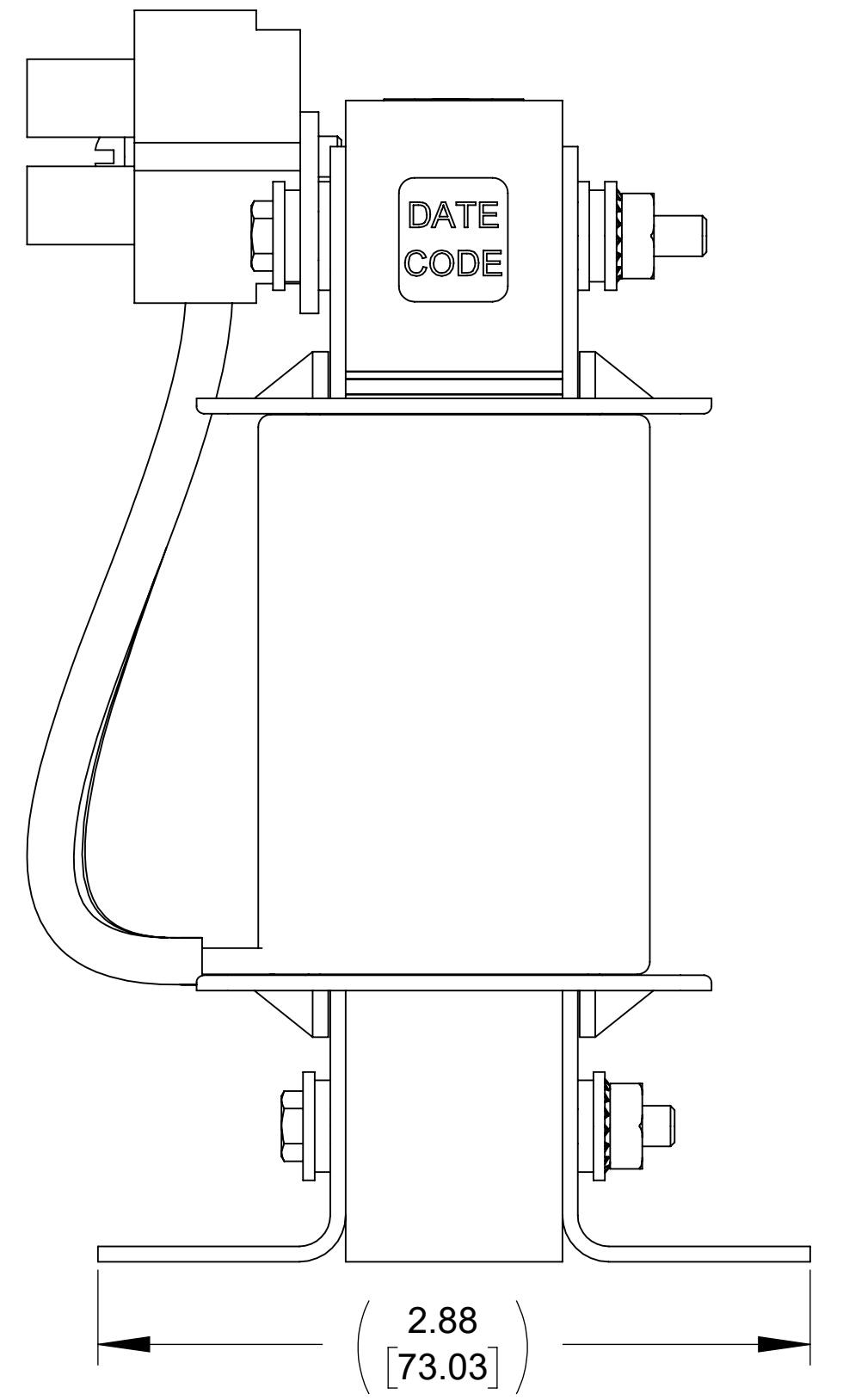
TOP VIEW



FRONT VIEW

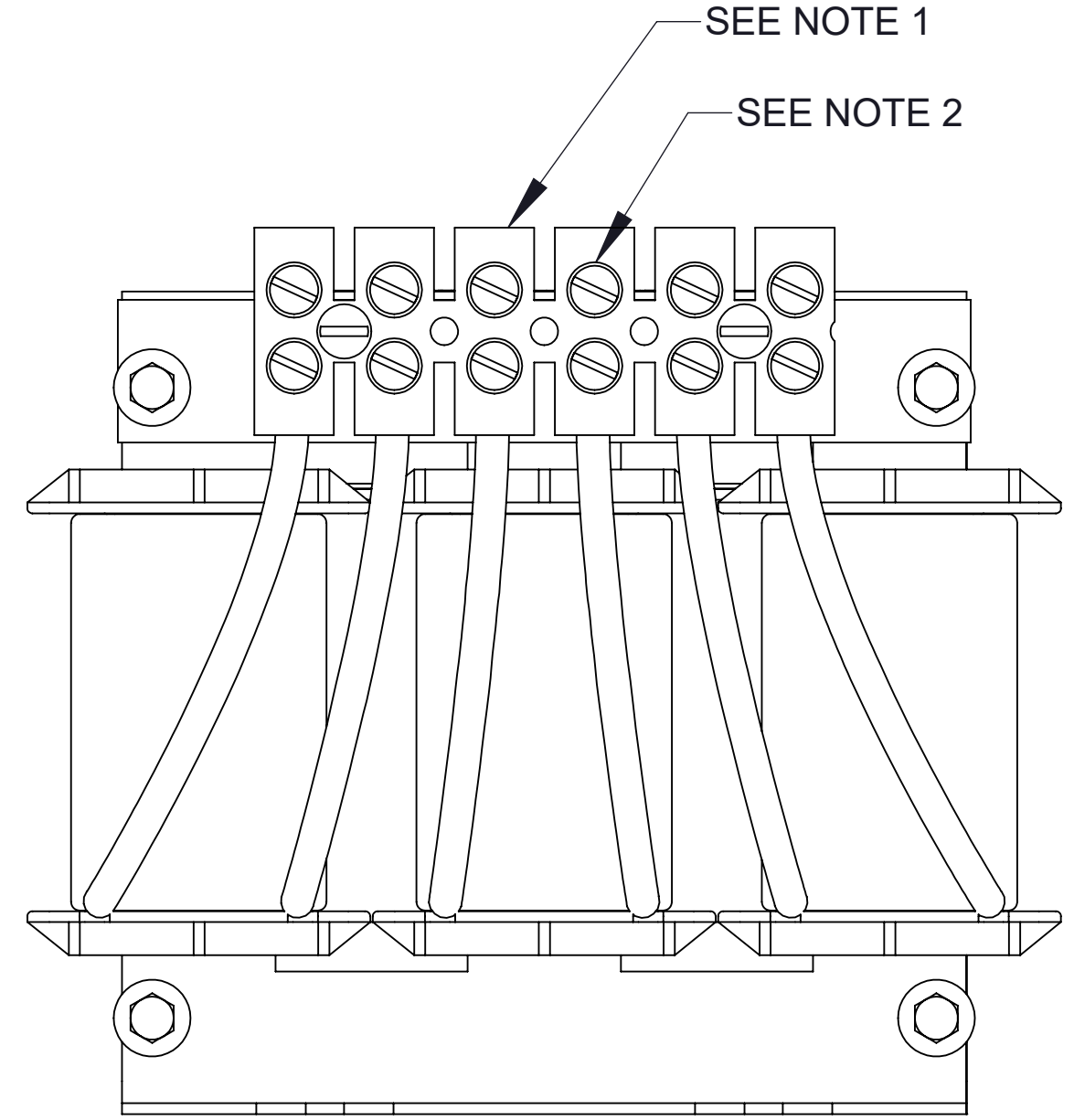


BOTTOM VIEW

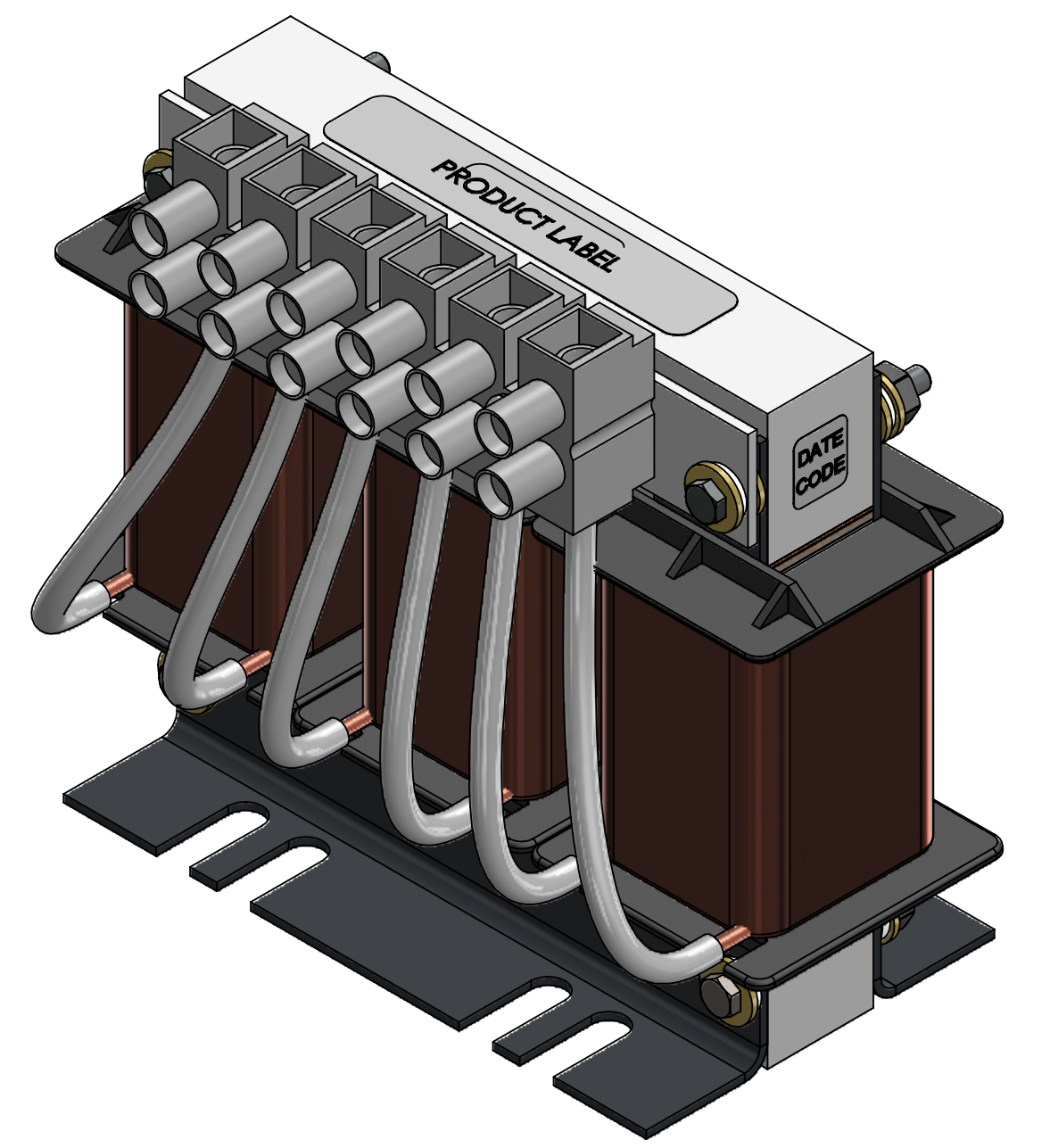


SIDE VIEW

Ø .28 [7.14]  
SLOT, 8 PLACES



CUSTOMER CONNECTION DETAIL VIEW



| ECO No | DESCRIPTION | REV BY | DATE |
|--------|-------------|--------|------|
|        |             |        |      |

| CRITICAL TO QUALITY CLASSIFICATION TABLE  |              |   |   |   |
|---|--------------|---|---|---|
| PERFORMANCE FIT ASSEMBLY<br>IDENTIFIABLE CLASSIFICATION<br>ENGINEERING MANUFACTURING REQUIREMENT<br>REGULATORY REQUIREMENT COMPLIANCE MANDATORY |              |   |   |   |
| COMMENTS  | DRAWING ZONE | Ⓟ | Ⓡ | Ⓢ |
| ROHS  | G1-H1        |   |   | X |

**NOTES:**

1. TERMINAL WIRE RANGE: 4-14 AWG.
2. TERMINAL SCREW TIGHTENING TORQUE: 16 IN/LBS.
3. REFER TO USER MANUAL FOR COMPLETE INSTALLATION INSTRUCTIONS.

THE COMPONENT, PART OR ASSEMBLY DESCRIBED IN THIS DOCUMENT MUST COMPLY WITH THE EU (EUROPEAN UNION) DIRECTIVE RoHS2

CONTAINS <0.1% OF ANY SVHC BY WEIGHT PER REACH REGULATION

UNLESS OTHERWISE SPECIFIED DIMENSIONS ARE IN INCHES [MM] TOLERANCES ARE:  
 ANGLES: ± 1°  
 1 PLACE .X: ± .1 [2.5]  
 2 PLACE .XX: ± .03 [0.76]  
 3 PLACE .XXX: ± .010 [0.254]

**Rockwell Automation**

| MATERIAL |          |
|----------|----------|
| DRAWN    | DATE     |
| WF       | 01/22/20 |
| CHECKED  | DATE     |
| WF       | 01/23/20 |
| APPROVED | DATE     |
| PY       | 01/24/20 |

| CONFIDENTIAL AND PROPRIETARY INFORMATION   |                |     |
|--|----------------|-----|
| THIS DOCUMENT CONTAINS CONFIDENTIAL AND PROPRIETARY INFORMATION OF MTE CORPORATION AND MAY NOT BE USED, COPIED OR DISCLOSED TO OTHERS EXCEPT WITH THE AUTHORIZED WRITTEN PERMISSION OF MTE CORPORATION |                |     |
| DESCRIPTION  |                |     |
| LINE/LOAD REACTOR (18A 0.8 mH)   |                |     |
| SIZE   | DWG No.        | REV |
| D  | CD 1321-3R18-A | 00  |
| SCALE  | SHEET 1 OF 1   |     |
| 3:2  |                |     |