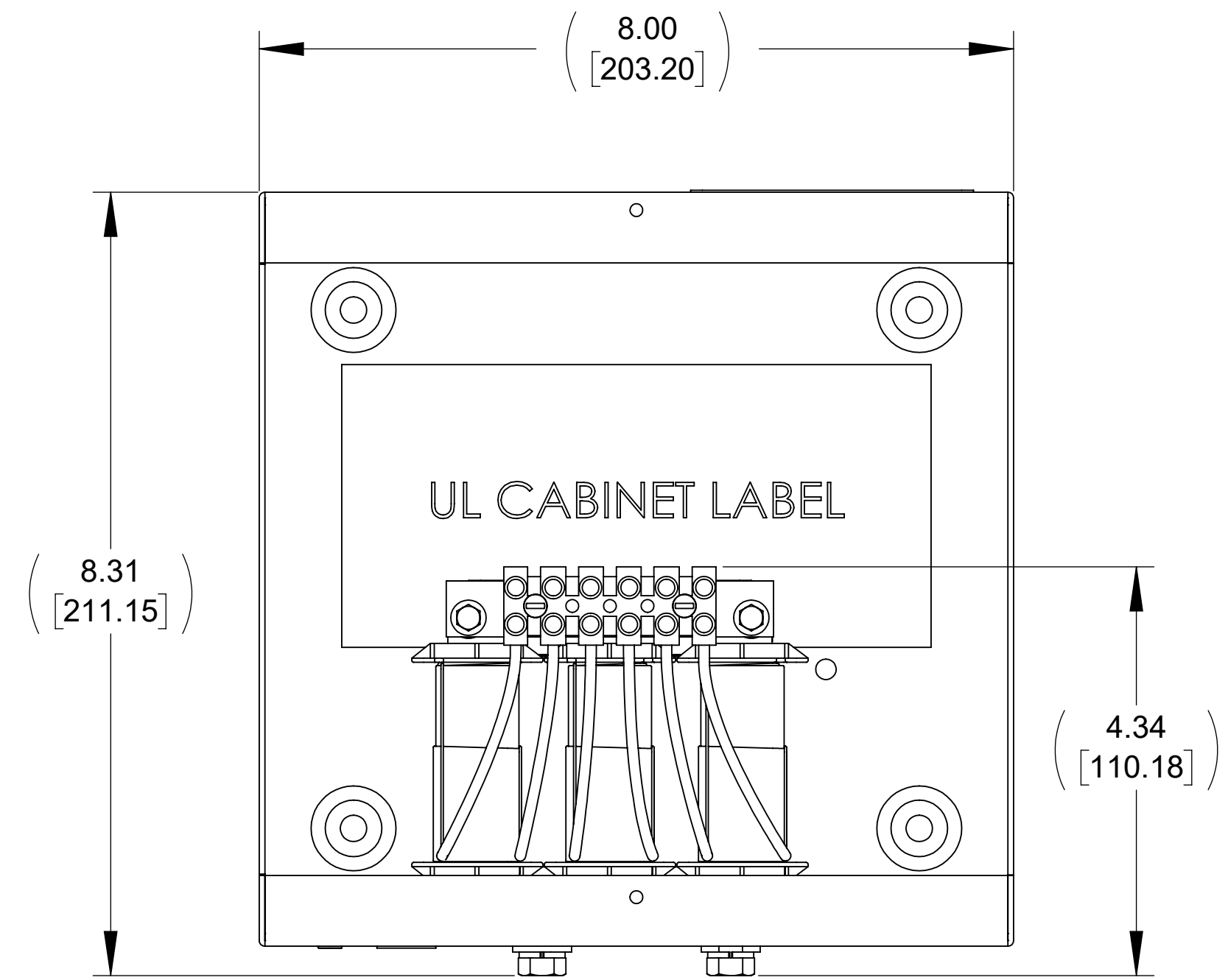


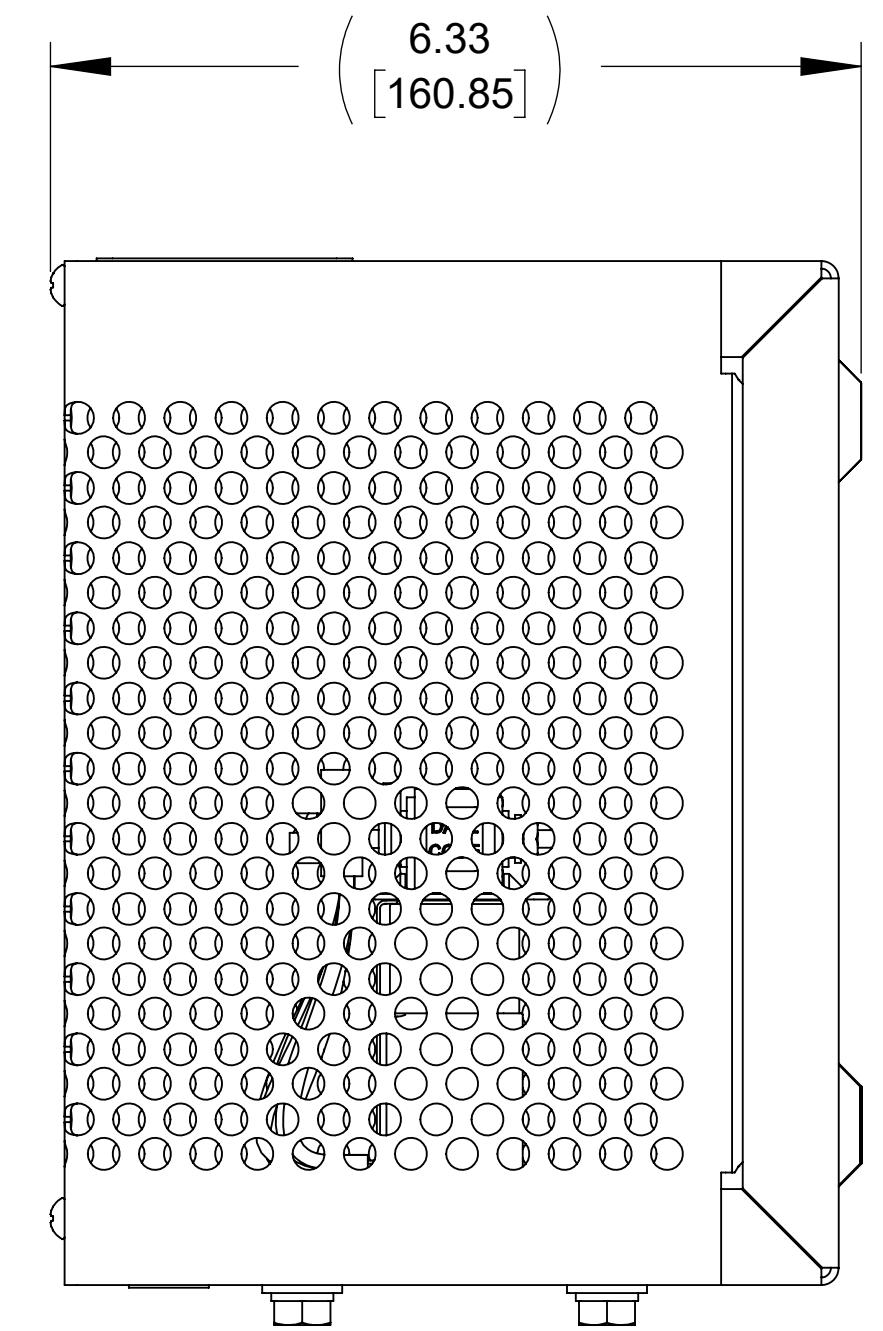
APPROX. WEIGHT (LBS)
7

ECO No	DESCRIPTION	REV BY	DATE

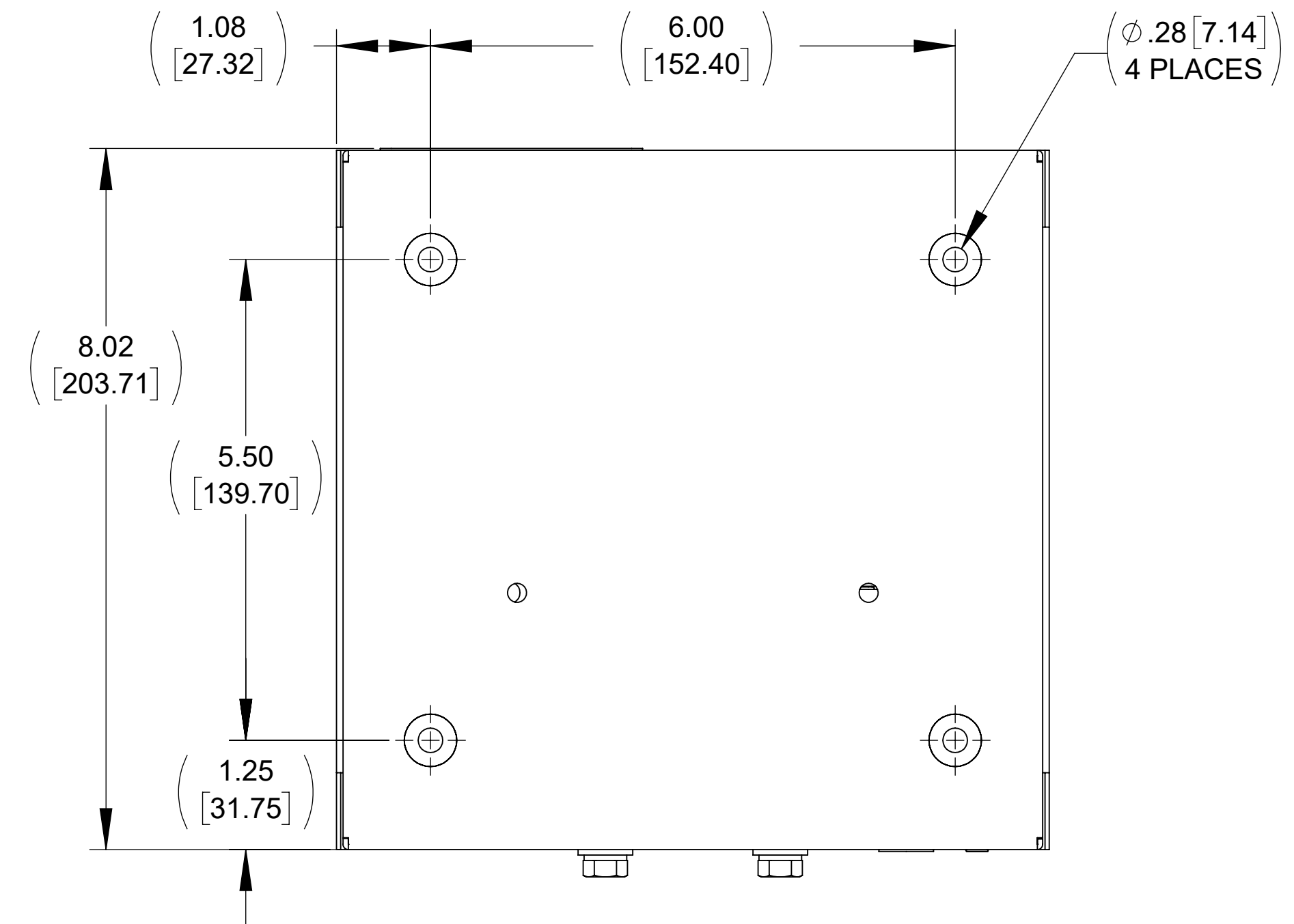
CRITICAL TO QUALITY CLASSIFICATION TABLE				
P-PERFORMANCE FIT ASSEMBLY F-FITTED APPLICABLE CLASSIFICATIONS S-ENGINEERING AND/OR MANUFACTURING REQUIREMENTS R-REGULATORY REQUIREMENT/COMPLIANCE IS MANDATORY				
COMMENTS	DRAWING ZONE	F	A	R
ROHS	G1-H1			X



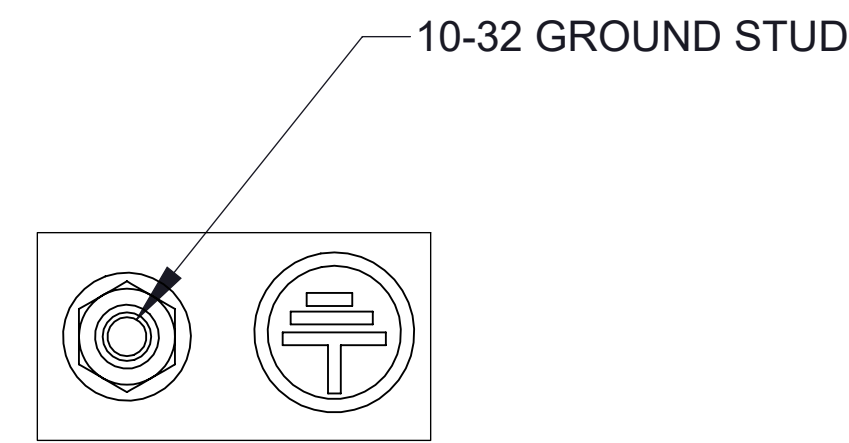
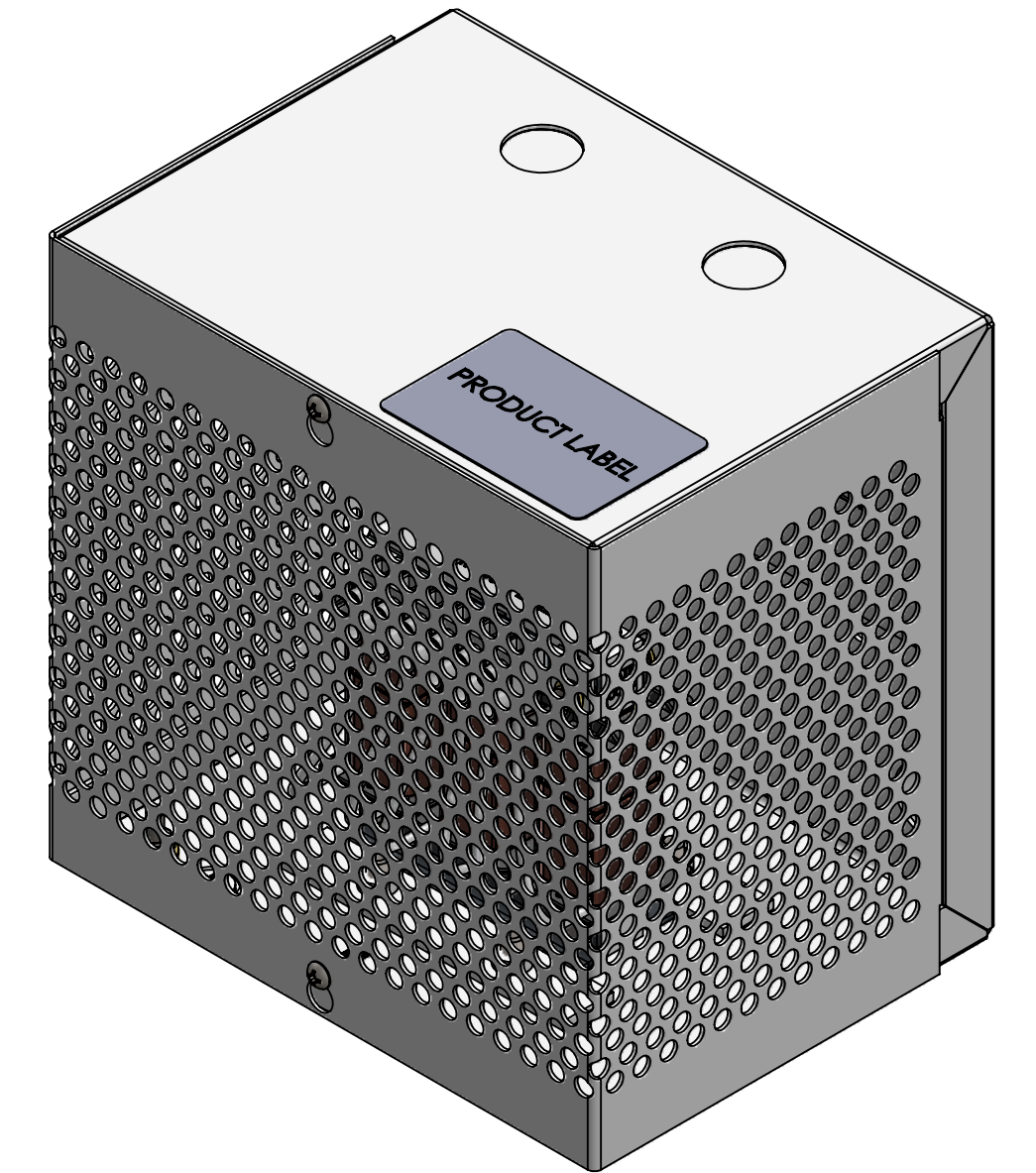
**FRONT VIEW
(PANELS REMOVED)**



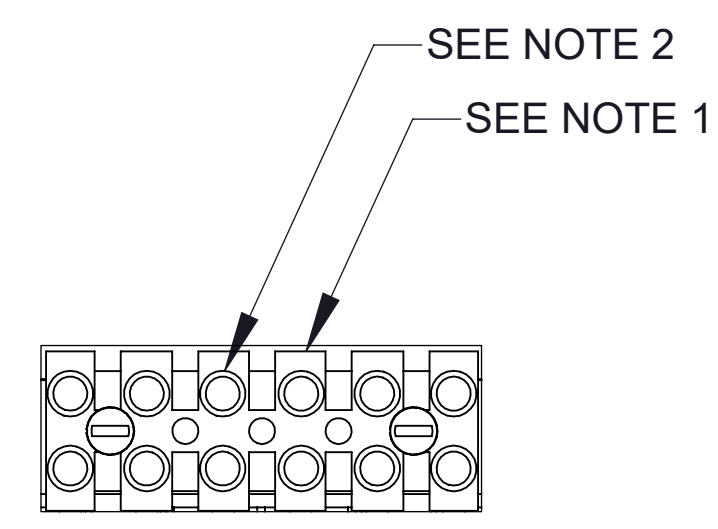
SIDE VIEW



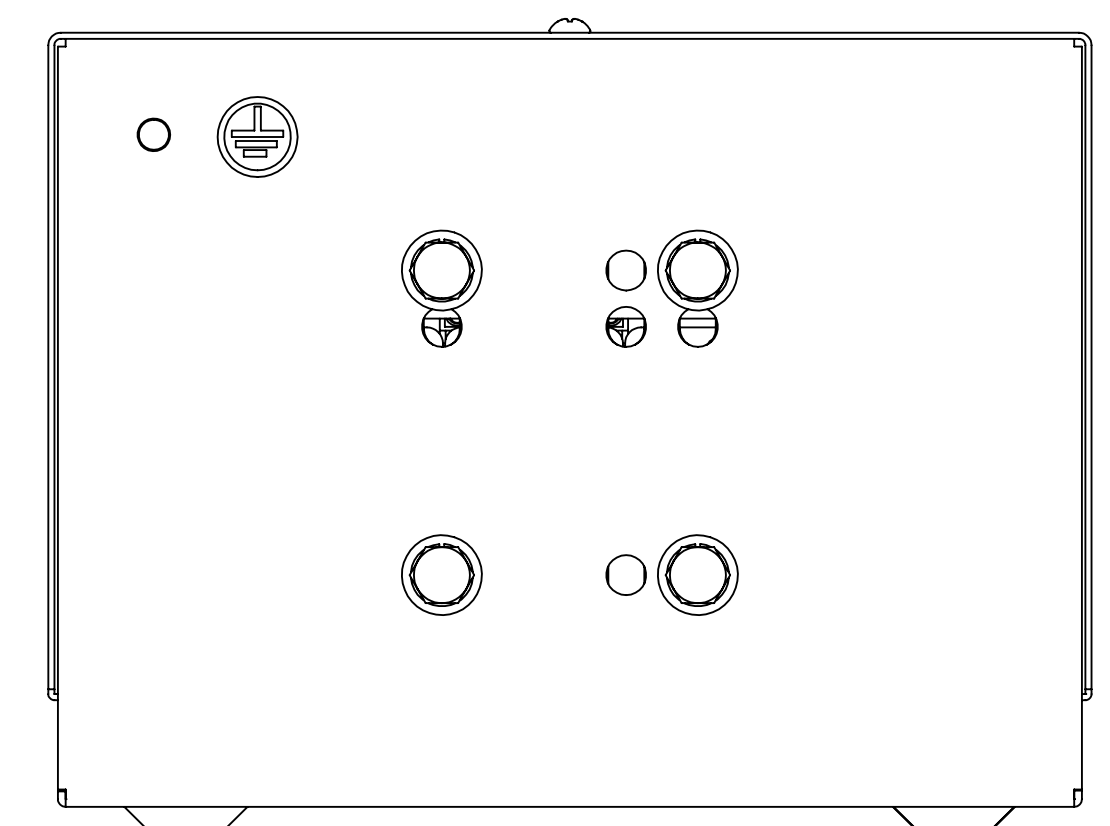
REAR VIEW



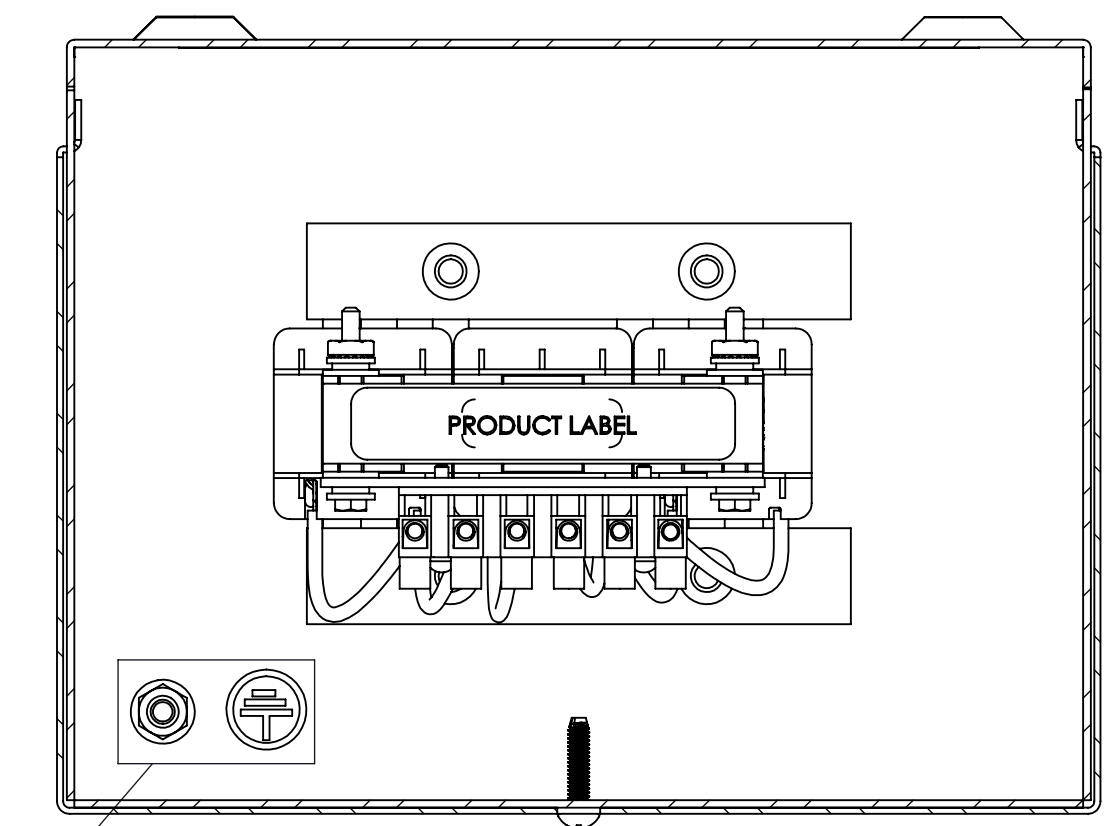
DETAIL A



**CUSTOMER CONNECTION
DETAIL VIEW**



BOTTOM VIEW



**TOP VIEW
(PANELS REMOVED)**

NOTES:

1. TERMINAL WIRE RANGE: 10-22 AWG.
2. TERMINAL SCREW TIGHTENING TORQUE: 4.0 IN/LBS.
3. REFER TO USER MANUAL FOR COMPLETE INSTALLATION INSTRUCTIONS.

THE COMPONENT, PART OR ASSEMBLY DESCRIBED IN THIS DOCUMENT MUST COMPLY WITH THE EU (EUROPEAN UNION) DIRECTIVE RoHS2 CONTAINS <0.1% OF ANY SVHC BY WEIGHT PER REACH REGULATION		MATERIAL		CONFIDENTIAL AND PROPRIETARY INFORMATION THIS DOCUMENT CONTAINS CONFIDENTIAL AND PROPRIETARY INFORMATION OF MTE CORPORATION AND MAY NOT BE USED, COPIED OR DISCLOSED TO OTHERS EXCEPT WITH THE AUTHORIZED WRITTEN PERMISSION OF MTE CORPORATION		
UNLESS OTHERWISE SPECIFIED DIMENSIONS ARE IN INCHES (MM) TOLERANCES ARE: ANGLES: ± 1° 1 PLACE .X: ± .1 [2.5] 2 PLACE .XX: ± .03 [0.76] 3 PLACE .XXX: ± .010 [0.254]				DESCRIPTION 3 PHASE REACTOR W/ENCLOSURE		
DRAWN WF DATE 01/22/20 CHECKED WF DATE 01/23/20 APPROVED PY DATE 01/24/20				SIZE D	DWG No. CD 1321-3RA1-B	REV 00
SCALE 1:1.5				SHEET 1 OF 1		